

Bulkhead Jacks

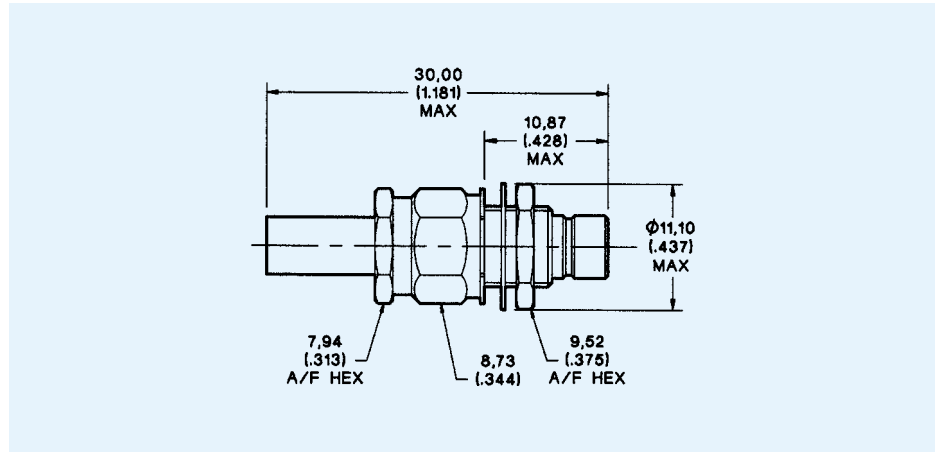
Straight Bulkhead Jack

With Crimp Contact

Part Number	BT Ref.	Cable Numbers
051-127-9519A90	PLUG43/1F	BT2001
051-127-9529A90	PLUG43/2F	BT2002
051-127-9539A90	PLUG43/3F	BT2003
051-127-9639A90	PLUG43/5F	BT3002, TZC75024
051-127-9589A90	-	RG179B/U, 187A/U

With Solder Contact

Part Number	BT Ref.	Cable Numbers
051-127-9219A90	PLUG43/1A	BT2001
051-127-9229A90	PLUG43/2A	BT2002
051-127-9239A90	PLUG43/3A	BT2003
051-127-9339A90	-	BT3002, TZC75024
051-127-9309A90	PLUG43/4A	RG179B/U, 187A/U
051-127-0000A90	-	RG180/U, 195A/U
051-127-9399A90	-	RD179

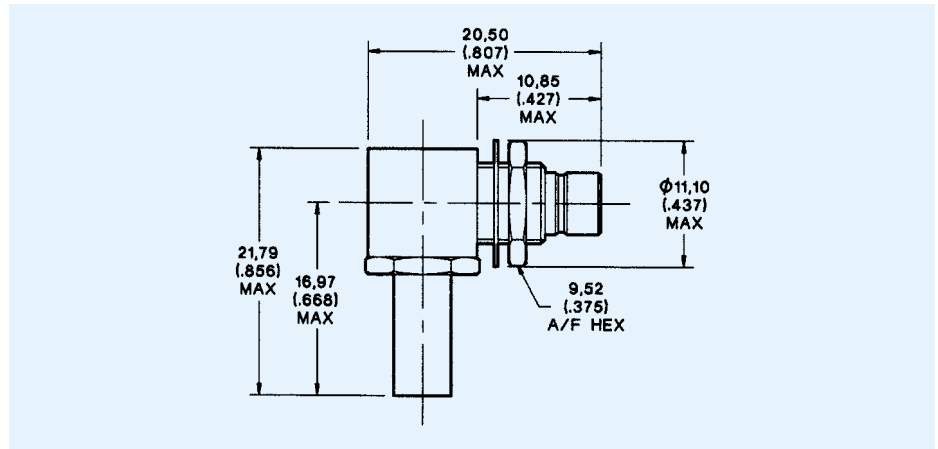


Crimp Contact — Assembly Instruction BBAI-1119 (Page 133)  
 Solder Contact — Assembly Instruction BBAI-1040 (Page 131)  
 Mounting Plan X (Page 109)  
 Maximum Panel Thickness 2,40 (.094)

Right Angle Bulkhead Jack

With Solder Contact

Part Number	BT Ref.	Cable Numbers
051-130-9219A90	PLUG43/1B	BT2001
051-130-9229A90	PLUG43/2B	BT2002
051-130-9239A90	PLUG43/3B	BT2003
051-130-9339A90	PLUG43/5B	BT3002, TZC75024
051-130-9309A90	PLUG43/4B	RG179B/U, 187A/U
051-130-9399A90	-	RD179



Assembly Instruction BBAI-1041 (Page 132)  
 Mounting Plan N (Page 108)  
 Maximum Panel Thickness 2,40 (0.94)

SMZ