



DJET Ø 6.35 mm

Toggle Switch and Pushbutton



A7



COMPONENTS

Recommended for outdoor applications, military and avionics equipment, telecommunications, medical equipment, power supplies. The professional toggle and pushbutton switches are available in one or two pole version available.

Electrical life 100 000 operations

- Front panel thickness: Min. 1.2 mm
- Switching system: Positive snap-action
- Damp heat: 56 days (Gold contact versions only)
- Tightening torque: Rear nut 125 Ncm
Ruffle 30

TECHNICAL SPECIFICATIONS

ELECTRICAL SPECIFICATIONS			
	Standard «silver cont.»		Tropical «gold cont.»
Operating: voltage	10V		10 mV
current	50 mA		100 µA
Switch rating «Resistive circuit»			
Voltage	220 V	110 V	48 V 24 V 12 V
Current	1.5A	2.5A	1A 2.25A 4.5A
Inductive circuit: 50 % of above values			
Isolation resistance	≥100000 MΩ at 500Vdc		
Contact resistance	≤10 mΩ		≤10 mΩ
Electrical life (actuations)	100 000		100 000
Electric strength			
1000 Vrms, 50 Hz between terminals on the same pole			
2000 Vrms, 50 Hz between all terminals connected together and ground			
2000 Vrms, 50 Hz between terminals of adjacent poles			

MECHANICAL CHARACTERISTICS			
Storage temperature	-40 °C ... +85 °C		
Operating temperature	-40°C ... +85°C		
Protection degree	IP 65		
Shock resistance as per IEC 60512-4	100 g		
Environmental resistance			
- Damp heat as per EN IEC 60512-111	Standard «silver cont.»	Tropical «gold cont.»	
- Saline mist as per EN IEC 60512-111	-	56 days	96 hours

STANDARD PART NUMBERS				
Toggle switch Ø6.35mm metal chrome	Switching action	contact	Numbers	Technical drawing
• Standard «silver» contact #	MA-MA	1	01.17301.21	3
• Standard «silver» contact #	MA-MA	2	02.17312.21	2
Pushbutton switch Ø6.35mm metal mat-black				
• Tropical «gold» contact #	MA-MO	1	17.17851.30	1
Pushbutton switch Ø6.35mm metal chrome				
• Standard «silver» contact #	MA-MO	1	07.17801.21	1
• Tropical «gold» contact #	MA-MO	1	17.17851.21	1

Switching action: MA- Maintained, MO- Momentary

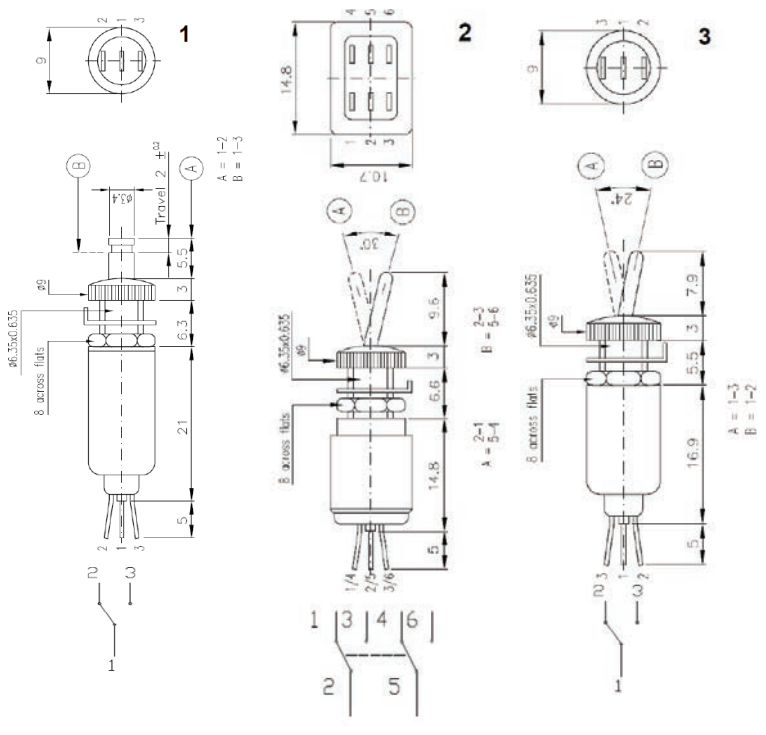
= Silicone Cap available page 17

Further options and information available: www.eozonline.com



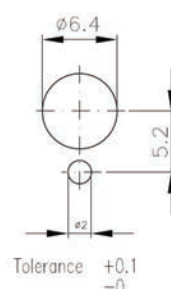
DIMENSIONS

technical drawing



MOUNTING

FRONT PANEL MOUNTING HOLE:





DJET Ø 10mm Toggle Switch



A8



COMPONENTS

Recommended for outdoor applications, military and avionics equipment, telecommunications, medical equipment, power supplies. The professional toggle switches are available in one or two pole version. The switches can be IP 65 with fitted silicone cap or IP 67 front sealed.

Electrical life 100 000 operations

- Switching system: positive snap-action
- Front panel thickness: Min. 1.2 mm
- Damp heat: 56 days (Gold contact versions only)
- Tightening torque: Rear nut 125 Ncm
Ruffle 30

TECHNICAL SPECIFICATIONS

ELECTRICAL SPECIFICATIONS

	Standard «silver cont.»	Tropical «gold cont.»			
Operating: voltage	10V	10 mV			
current	50 mA	100 µA			
Switch rating «Resistive circuit»					
Voltage	220 V	110 V	48 V	24 V	12 V
Current	1.5A	2.5A	1A	2.25A	4.5A
Inductive circuit: 50 % of above values					
Isolation resistance	≥100000 MΩ at 500Vdc				
Contact resistance	≤10 mΩ	≤10 mΩ			
Electrical life (actuations)	100 000	100 000			
Electric strength					
1000 Vrms, 50 Hz between terminals on the same pole					
2000 Vrms, 50 Hz between all terminals connected together and ground					
2000 Vrms, 50 Hz between terminals of adjacent poles					

MECHANICAL CHARACTERISTICS

Storage temperature	-40 °C ... +85 °C	
Operating temperature	-40°C ... +85°C	
Protection degree	IP 67 (sealed 10 mm dia. version only) IP 65 with protective cap #	
Shock resistance as per IEC 60512-4	100 g	
Environmental resistance		
- Damp heat as per EN IEC 60512-111	-	56 days
- Saline mist as per EN IEC 60512-111	-	96 hours

STANDARD PART NUMBERS

Toggle switch Ø10mm metal	Switching action	contact	Numbers	Technical drawing
• Tropical «gold» contact, IP67 «front sealing»	MA-MA	1	11.17201.30	1
• Tropical «gold» contact, IP67 «front sealing»	MA-MA	1	11.17201.22	1
• Standard «silver» contact, IP67 «front sealing»	MA-MA	1	11.17271.22	1
• Standard «silver» contact, IP67 «front sealing»	MA-MA	2	12.17273.22	3
Toggle switch Ø10mm metal chrome				
• Tropical «gold» contact	MA-MA	1	11.17051.21	2
• Tropical «gold» contact #	MA-MA	2	12.17063.21	3
• Standard «silver» contact	MA-MA	1	01.17001.21	2
• Standard «silver» contact #	MA-MA	2	02.17013.21	3

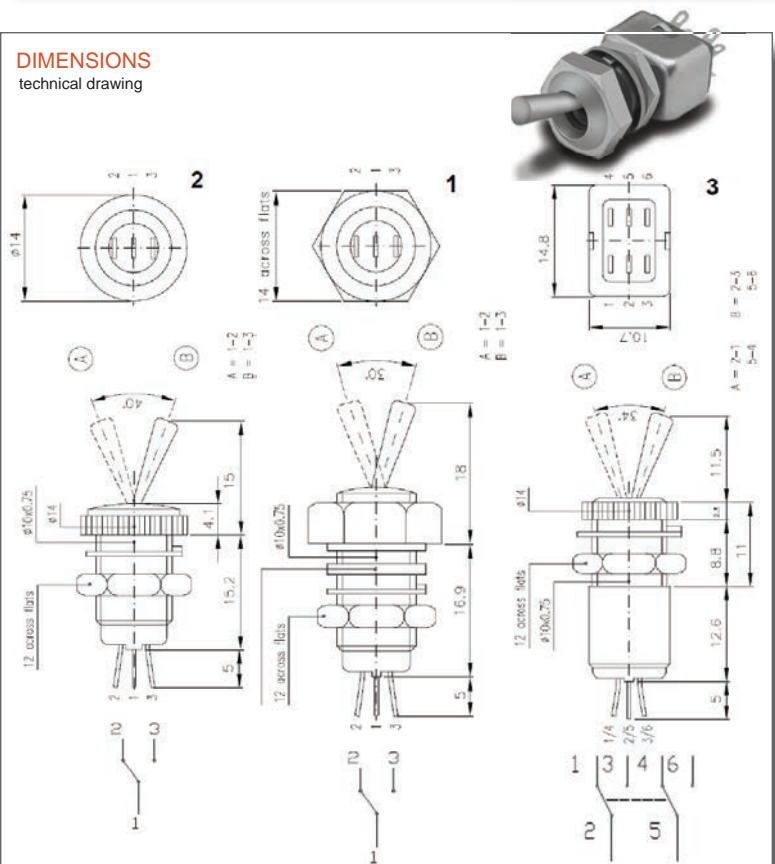
Switching action: MA- Maintained.

= Silicone Cap available page 17

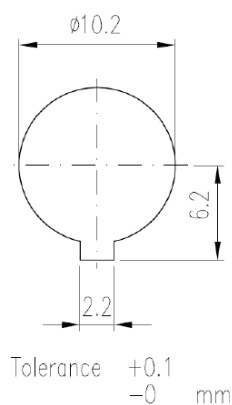
Further options and information available: www.eozonline.com

DIMENSIONS

technical drawing



MOUNTING





DJET Ø 10mm Pushbutton



A9



COMPONENTS

Recommended for outdoor applications, military and avionics equipment, telecommunications, medical equipment, power supplies. The professional toggle switches are available in one or two pole version. The switches can be IP 65 with fitted silicone cap or IP 67 front sealed.

Electrical life 100 000 operations

- Switching system: positive snap-action
- Front panel thickness: Min. 1.2 mm
- Damp heat: 56 days (Gold contact versions only)
- Tightening torque: Rear nut 125
Ruffle 30

TECHNICAL SPECIFICATIONS

ELECTRICAL SPECIFICATIONS

	Standard «silver cont.»	Tropical «gold cont.»
Operating: voltage	10V	10 mV
current	50 mA	100 µA
Switch rating «Resistive circuit»		
Voltage	220 V 110 V 48 V 24 V	12 V
Current	1.5A 2.5A 1A 2.25A	4.5A
Inductive circuit: 50 % of above values		
Isolation resistance	≥100000 MΩ at 500Vdc	
Contact resistance	≤10 mΩ	≤10 mΩ
Electrical life (actuations)	100 000	100 000
Electric strength		
1000 Vrms, 50 Hz between terminals on the same pole		
2000 Vrms, 50 Hz between all terminals connected together and ground		
2000 Vrms, 50 Hz between terminals of adjacent poles		

MECHANICAL CHARACTERISTICS

Storage temperature	-40 °C ... +85 °C	
Operating temperature	-40°C ... +85°C	
Protection degree	IP 67 (sealed 10 mm dia. version only) IP 65 with protective cap	
Shock resistance as per IEC 60512-4	100 g	
Environmental resistance	Standard «silver cont.»	Tropical «gold cont.»
- Damp heat as per EN IEC 60512-11f	-	56 days
- Saline mist as per EN IEC 60512-11f	-	96 hours

STANDARD PART NUMBERS

Pushbutton Ø10mm metal mat-black	Switching action	contact	Numbers	Technical drawing
• Tropical «gold» contact, IP67 «front sealing»	MO	2	18.17253.30	1
• Tropical «gold» contact, IP67 «front sealing»	MO	1	17.17252.30	2
• Standard «silver» contact, IP67 «front sealing»	MO	1	17.17282.30	2
• Tropical «gold» contact	MO	1	17.17551.30	3
• Tropical «gold» contact	MO	1	17.17552.30	5
• Tropical «gold» contact #	MO	2	18.17563.30	4
Pushbutton Ø10mm metal mat-chrome				
• Tropical «gold» contact, IP67 «front sealing»	MO	1	17.17252.22	2
• Standard «silver» contact, IP67 «front sealing»	MO	1	17.17282.22	2
Pushbutton Ø10mm metal chrome				
• Tropical «gold» contact, IP67 «front sealing»	MO	2	18.17253.22	1
• Standard «silver» contact, IP67 «front sealing»	MO	2	18.17283.22	1
• Tropical «gold» contact	MO	1	17.17552.21	5
• Tropical «gold» contact #	MO	2	18.17563.21	4
• Standard «silver» contact	MO	1	07.17502.21	5
• Standard «silver» contact #	MO	2	08.17513.21	4

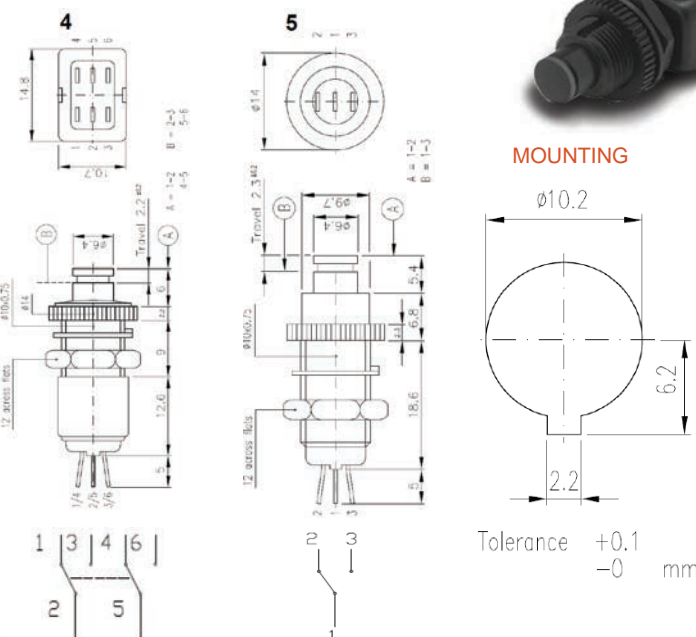
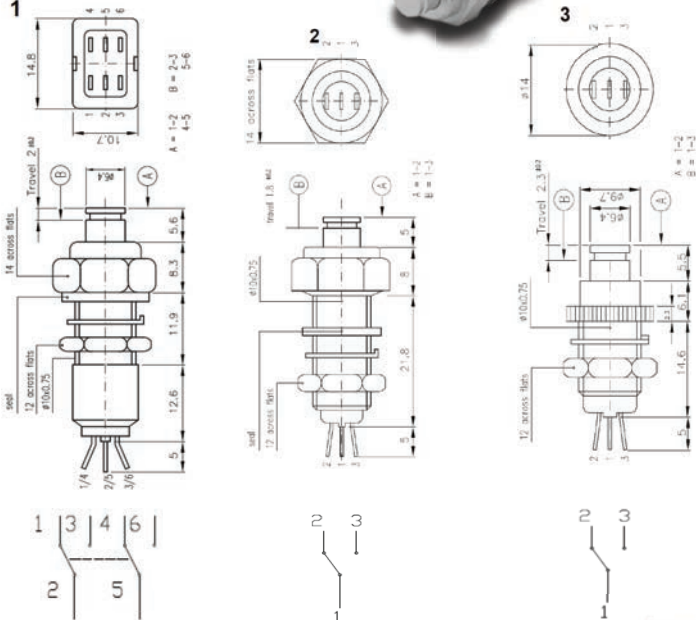
Switching action: MO= Momentary

= Silicone Cap available page 17

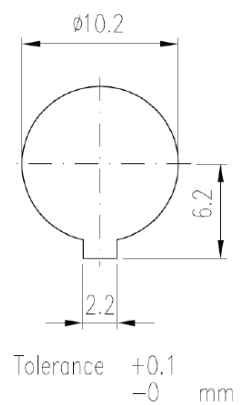
Further options and information available: www.eozonline.com

3 DIMENSIONS

technical drawing



MOUNTING



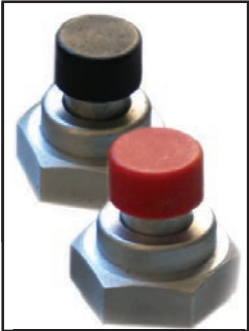


Accessories DJET

Toggle Switch and Pushbutton

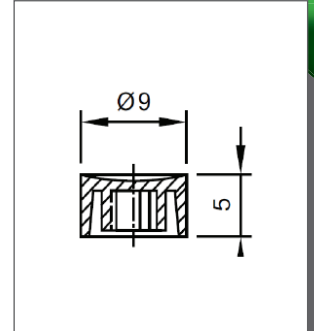


A10



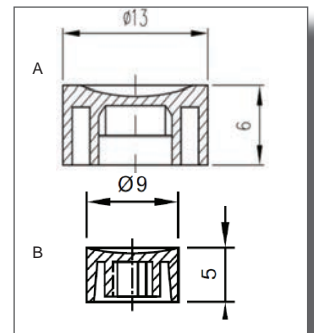
Cap for pushbutton Ø 6.35 mm

Type	Front ring	Reference
Cap Ø 9 mm	Plastic black	20.17804.01
Type	Front ring	Reference
Cap Ø 9 mm	Plastic red	20.17804.02



Cap for pushbutton Ø 10 mm

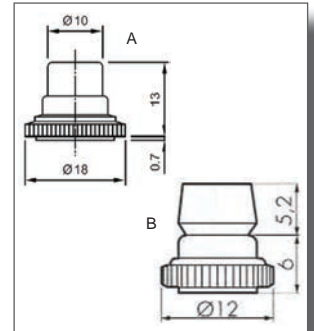
Type	Front ring	Reference	Draw.
Cap Ø 9 mm	Plastic black	20.17504.01	B
Cap Ø 13 mm	Plastic black	20.17254.01	A
Type	Front ring	Reference	Draw.
Cap Ø 9 mm	Plastic red	20.17504.02	B



Protective cap for pushbutton

with black silicone cap

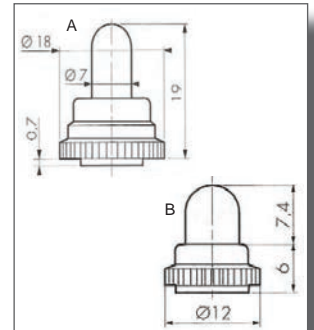
Type	Front ring	Reference	Draw.
Cap for Ø 10 mm	Metal chrome	20.17292.21	A
Cap for Ø 6.35 mm	Metal chrome	20.25292.21	B
Cap for Ø 6.35 mm	Metal black	20.25292.30	B



Protective cap for toggle switch

with black silicone cap

Type	Front ring	Reference	Draw.
Cap Ø for 10 mm	Metal chrome	20.17291.21	A
Cap Ø for 6.35 mm	Metal chrome	20.25291.21	B
Cap Ø for 6.35 mm	Metal black	20.25291.30	B



Hexagon nut for pushbutton

Type	Front ring	Reference
Ø10 mm	Metal chrome matt	20.17016.21

