

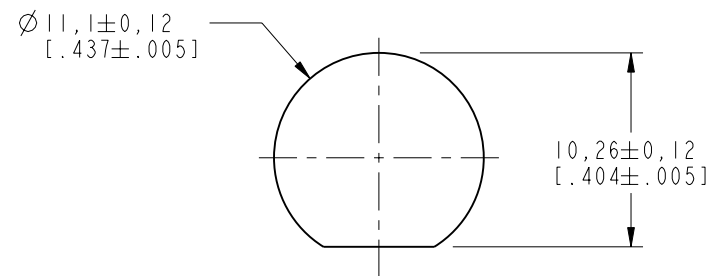
NOTES:

1. MATERIALS AND FINISHES:
 BODY -BRASS, NICKEL PLATING
 CONTACT - BeCu , SILVER PLATING
 INSULATOR - PTFE
2. ELECTRICAL:
 A. IMPEDANCE: 50 OHM
 B. FREQUENCY RANGE: DC - 2 GHz
3. MECHANICAL:
 A. DURABILITY: 500 CYCLES MIN.
 B. TEMPERATURE RANGE: -65° C TO +165° C
4. PACKAGING:
 A. QUANTITY: SINGLE PACK
 B. MARKING: BAG TO BE MARKED
 "AMPHENOL RF, 31-236, AND DATE CODE"

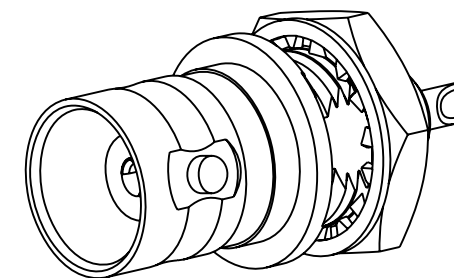
THIRD ANGLE PROJ.

REVISIONS

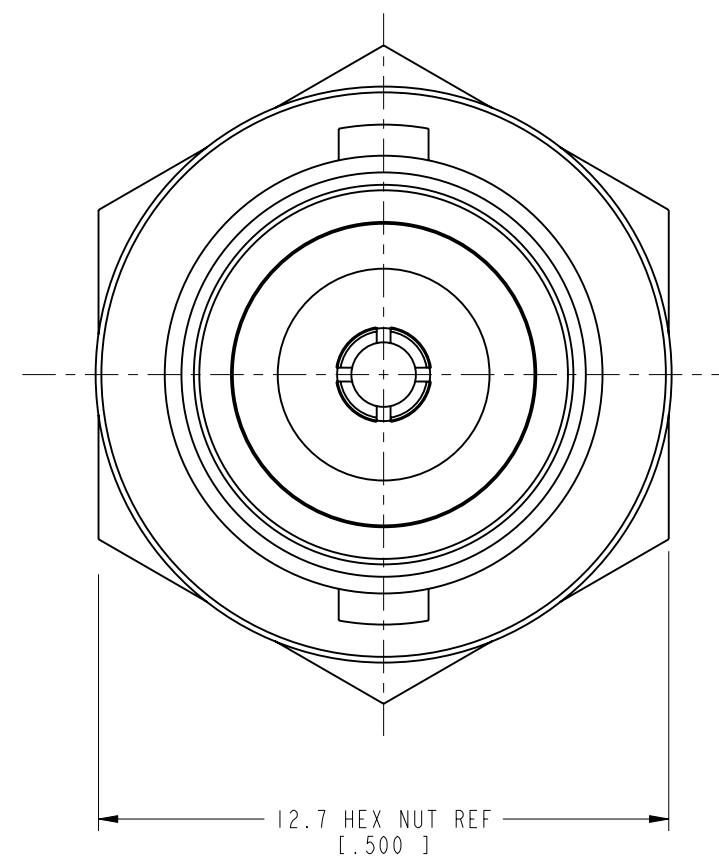
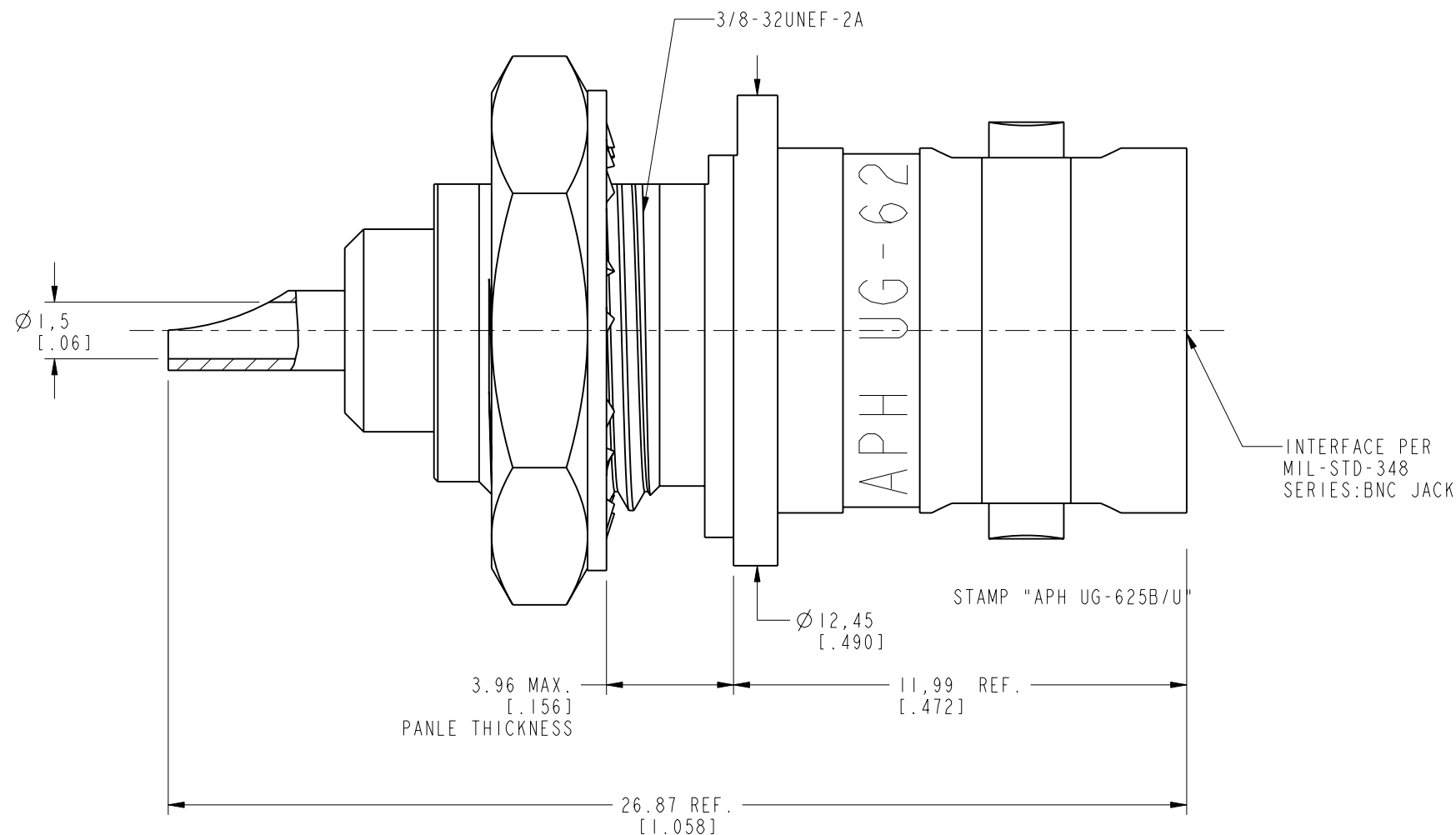
| REV | DESCRIPTION | DATE | ECO | APPR |
|-----|--|-----------|-------|------|
| A | RELEASE TO MFG. | 06-Jun-68 | 16312 | DR |
| U | REDRAWN IN PROE, ADD COD\RD-DM11052701R3 | 09-Jun-11 | 47675 | SH |
| V | CHANGE LOCK WASHER\RD-DM1121501F | 29-Dec-11 | 48832 | SH |
| W | SEE SHEET 1 | 17-Jul-12 | 49138 | SH |



RECOMMENDED MOUNTING HOLE



SCALE 2.500



CUSTOMER OUTLINE DRAWING

ALL OTHER SHEETS ARE FOR INTERNAL USE ONLY

| | | | | | |
|---|---|-------------------|-------------------|---|-----------------------------------|
| UNLESS OTHERWISE SPECIFIED, DIMENSIONS ARE IN METRIC AND TOLERANCES ARE: <0.5mm ± 0.05mm 0.5 - 6mm ± 0.1mm 6 - 30mm ± 0.2mm 30 - 120mm ± 0.3mm ANGLES ± 1° | MATERIAL | DRAWN R. MAO | DATE 31-May-11 | TITLE BNC BULKHEAD RECEPTACLE FRONT MOUNT (NICKEL PLATED) SCALE: 6.0:1.0 SHEET 2 OF 2 | Amphenol RF www.amphenolrf.com |
| | REFERENCE EAR # AND CONFIGURATION LEVEL: <input type="checkbox"/> <input type="checkbox"/> <input type="checkbox"/> | ENGINEER S. LI | DATE 31-May-11 | | |
| NOTICE - These drawings, specifications, or other data (1) are, and remain the property of Amphenol corp. (2) must be returned upon request; and (3) are confidential and not to be disclosed to any person other than those to whom they are given by Amphenol Corp. the furnishing of these drawings, specifications, or other data by Amphenol Corp., or to any other person to anyone for any purpose is not to be regarded by implication or otherwise in any manner licensing, granting rights to permitting such holder or any other person to manufacture, use or sell any product, process or design, patented or otherwise, that may in any way be related to or disclosed by said drawings, specifications, or other data. | FINISH | CAD FILE | DATE 31-May-11 | DWG SIZE B | REV W |
| | | | | | |