

4

3

2

1

THIS DRAWING IS UNPUBLISHED.

RELEASED FOR PUBLICATION

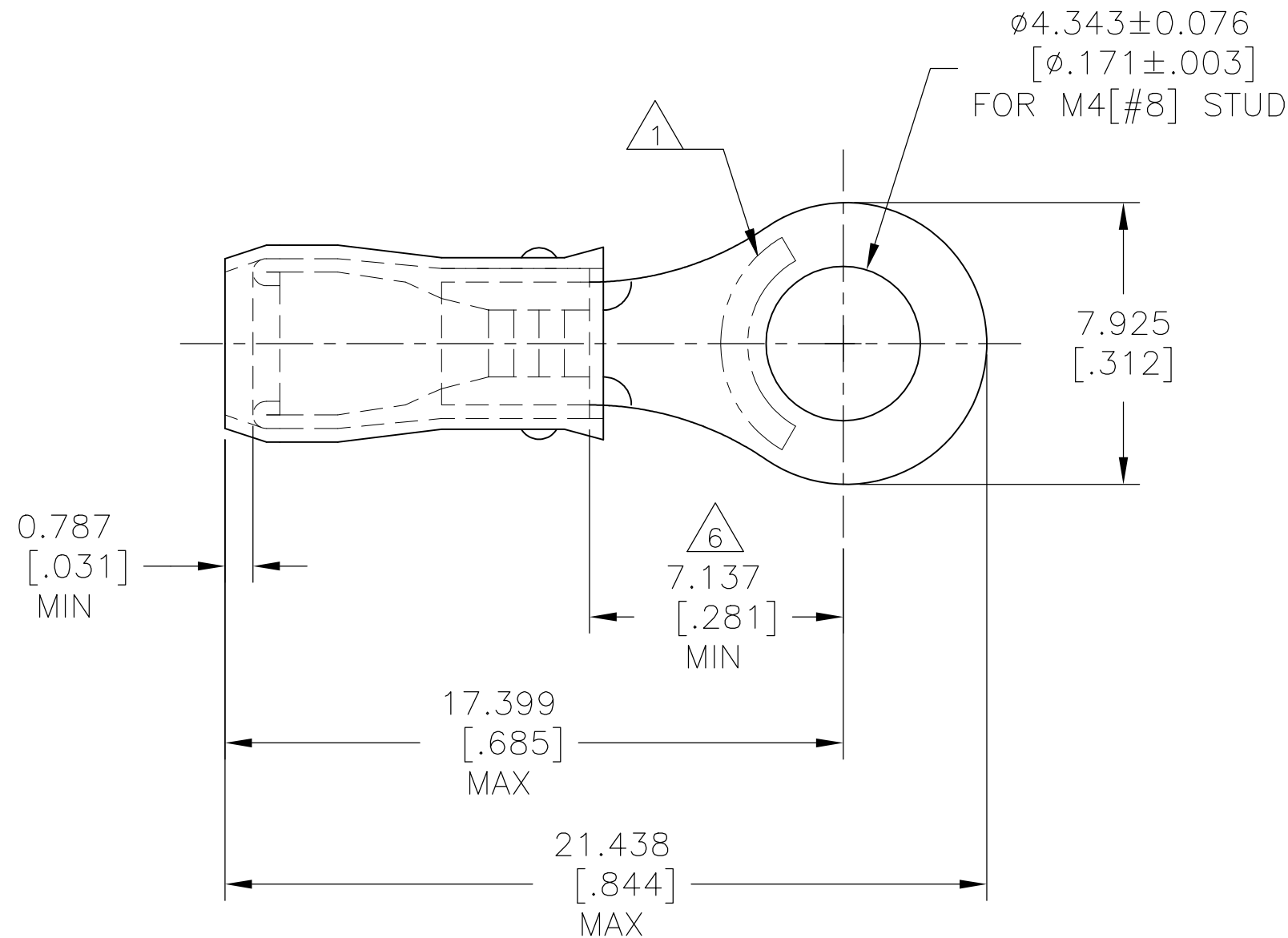
ALL RIGHTS RESERVED.

© COPYRIGHT - By -

REVISIONS

P	LTR	DESCRIPTION	DATE	DWN	APVD
	U1	REVISED PER ECO-11-004917	11MAR11	RK	HMR
	U2	REVISED PER ECO-17-008114	01JUN2018	RS	DR

AMP WIRE RANGE	E13288 Listed	LR7189 Certified
22-16 AWG SOLID OR STRANDED	22-16 AWG SOLID OR STRANDED	22-16 AWG SOLID OR STRANDED



- 1 STAMP AMP 22-18* APPROX AS SHOWN 22-16 TERMINALS ARE STAMPED 22-18 IN ACCORDANCE WITH MILITARY SPEC SAE AS7928 COMMERCIAL WIRE RANGE IS 22-16
- 2 WIRE INSULATION DIA: 2.032-3.175 [.080-.125]
- 3 TONGUE MATERIAL THK: 0.787±0.051 [.031±.002]
- 4 TIN PL 0.00254 [.000100] MIN EXT THK PER ASTM B545
- 5 NOTE DELETED
- 6 APPLIES FROM EDGE OF METAL WIRE BARREL TO CENTER OF STUD

1000	LOOSE PIECE	31888
QUANTITY	PACKAGE TYPE	PART NO

AMP INCORPORATED
CUSTOMER SERVICE SYSTEMS

THIS DRAWING IS A CONTROLLED DOCUMENT.

DWN DK SCHRUM 02/11/93

CHK RE HERSEY 4/28/93

APVD ML ELLIS 4/28/93

TE Connectivity Ltd.

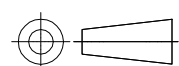
FOR ADDITIONAL
PRODUCT INFORMATION OR
COPIES OF DRAWINGS
AND TECHNICAL DOCUMENTS

PRODUCT INFORMATION CENTER
1-800-522-6752

MAX RECOMMENDED OPERATING
TEMPERATURE:
105°C [221°F]

VOLTAGE RATING:
300 V MAX

DIMENSIONS:
mm [INCHES]



TOLERANCES UNLESS
OTHERWISE SPECIFIED:

- 0 PLC ± -
- 1 PLC ± -
- 2 PLC ± -
- 3 PLC ± 0.127 [.005]
- 4 PLC ± -
- ANGLES ± -

PRODUCT SPEC
UL 486A-B

APPLICATION SPEC
114-2157

WEIGHT

NAME
TERMINAL, RING TONGUE,
PIDG™, WIRE SIZE, 22-16 AWG

FOR APPLICATION
TOOLING INFORMATION

TOOLING ASSISTANCE CENTER
1-800-722-1111

WIRE CROSS SECTIONAL AREA RANGE,
0.26-1.65mm² [509-3,260] CIR MILS
SOLID OR STRANDED

MATERIAL
COPPER PER ASTM B-152
SLEEVE, RED VINYL

FINISH



CUSTOMER DRAWING

SIZE	CAGE CODE	DRAWING NO	RESTRICTED TO
A3	00779	C-31888	-

SCALE 6:1 SHEET 1 of 1 REV U2