

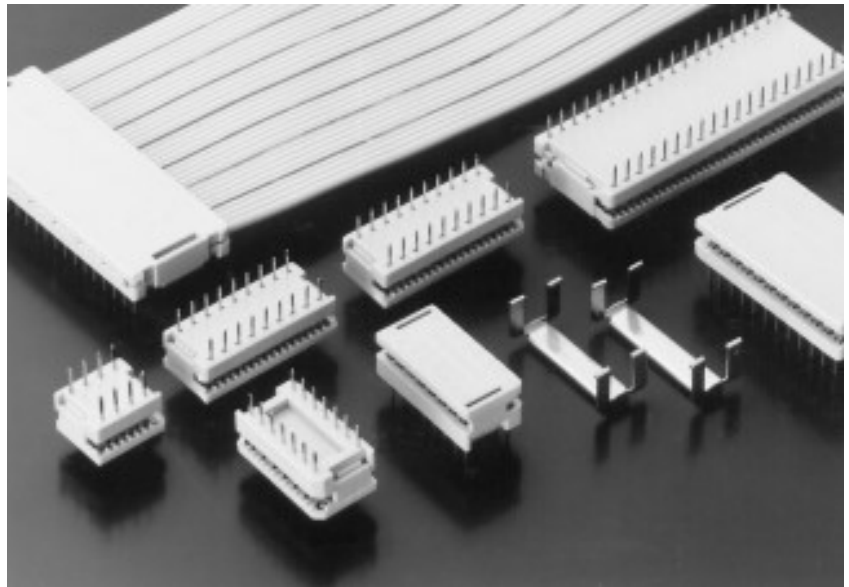
PRODUCT DESCRIPTION

The Standard and Low Profile DIP Plugs are primarily used as a disconnectable interface to DIP sockets. Heavy-duty leads are standard features on both Standard and Low Profile DIP Plugs. Low Profile DIP Plugs are also available with tin-plated pins, providing a permanent flat cable transition to printed circuit boards.

DESIGN ADVANTAGES

- Contact Material—Beryllium copper with 30 microinches min. gold over 50 micro inches min. nickel plating.
- Standard DIP Plugs available in 14 and 16 pin versions to mate with DIP sockets for disconnect applications on 2.54mm x 7.62mm (.100"x .300) grids.
- Low Profile DIP Plugs available in 9 contact sizes- 8, 14, 16, 18, 20, 22, 24, 40, and 48.
- Heavy-duty gold-plated contacts provided on both Standard and Low Profile DIP Plugs.
- Heavy-duty tin-plated contacts available on Low Profile DIP Plugs.
- Snap-on strain reliefs available for 24- and 40-position Low Profile versions.

DIP PLUGS STANDARD AND LOW PROFILE

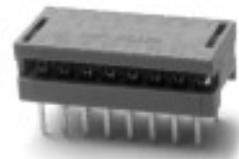


DIP PLUGS INDEX

Standard 14 & 16 position	54
Low Profile 8-20 position	55
Low Profile 22 position	56
Low Profile 24-48 position	57



**DIP PLUGS
STANDARD 14 & 16
POSITION**



PHYSICAL PROPERTIES

INSULATION MATERIAL: Glass filled thermoplastic rated UL 94V-0
COLOR: Blue
CONTACTS: Beryllium copper; 30μ inches min. gold over 50μ inches nickel in contact zone; tin/lead over nickel in termination area.

ELECTRICAL PROPERTIES

CURRENT RATING: 1 Amp
INSULATION RESISTANCE: >1 x 10⁹ Ohms
DIELECTRIC STRENGTH: >1000 VRMS at sea level

ENVIRONMENTAL PROPERTIES

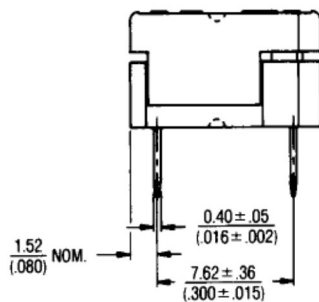
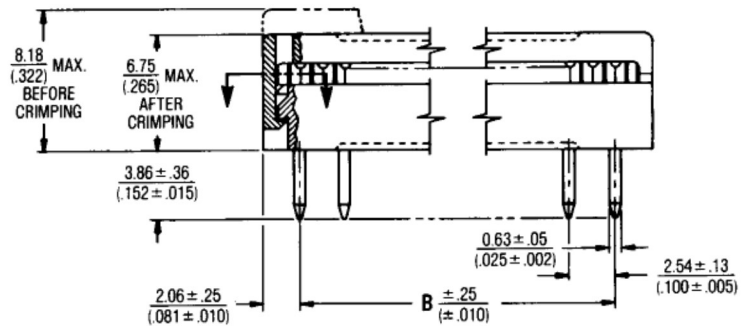
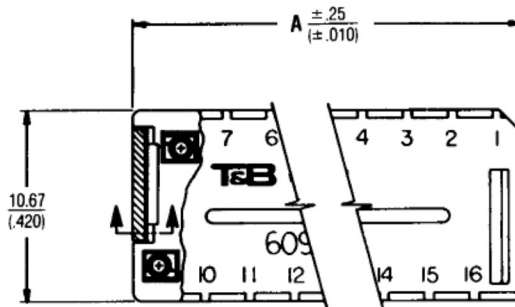
TEMPERATURE RATING: -55°C TO 125°C

APPLICATION TOOLING

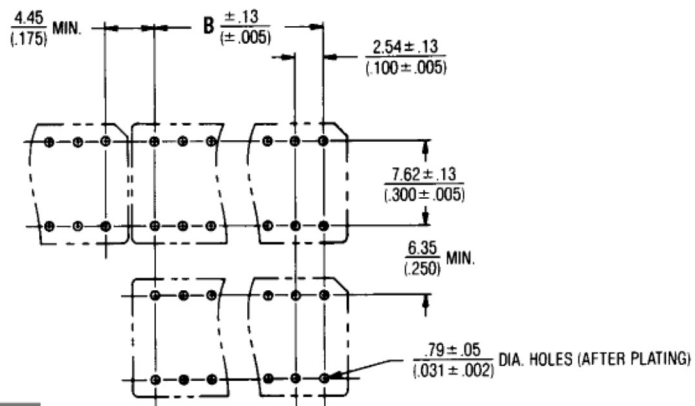
- HAND TOOL** 779-2100
use Die 779-2162
- BENCH PRESS (MANUAL)** 779-3200
use Platen 779-3130
use Base Plate 779-3162
- BENCH PRESS (PNEUMATIC)** 779-3500XT
use Platen 779-3130
use Base Plate 779-3162

CABLE

See pages 116-128



RECOMMENDED MOUNTING HOLE PATTERN



Ordering Information

CATALOG NO.	NO. OF POS.	DIMENSIONS IN MM (INCHES)	
		A	B
609-M141H	14	19.35 (.762)	15.24 (.600)
609-M161H	16	21.89 (.862)	17.78 (.700)

H = Au OVER Ni

NOTE: CONNECTOR SPACINGS ARE GIVEN AS MINIMUMS FOR EASE OF PLUGGING OR UNPLUGGING. GREATER SPACING IN AT LEAST ONE DIRECTION IS RECOMMENDED.

**DIP PLUGS
LOW PROFILE
8-20 POSITION**



LR92984 E60980

PHYSICAL PROPERTIES

INSULATION MATERIAL: Glass filled thermoplastic rated UL 94V-0

COLOR: Blue

CONTACTS: Beryllium copper; 30µ inches min. gold over 50µ inches nickel in contact zone; tin/lead over nickel in termination area.

ELECTRICAL PROPERTIES

CURRENT RATING: 1 Amp

INSULATION RESISTANCE: >1 x 10⁹ Ohms

DIELECTRIC STRENGTH: >1000 VRMS at sea level

ENVIRONMENTAL PROPERTIES

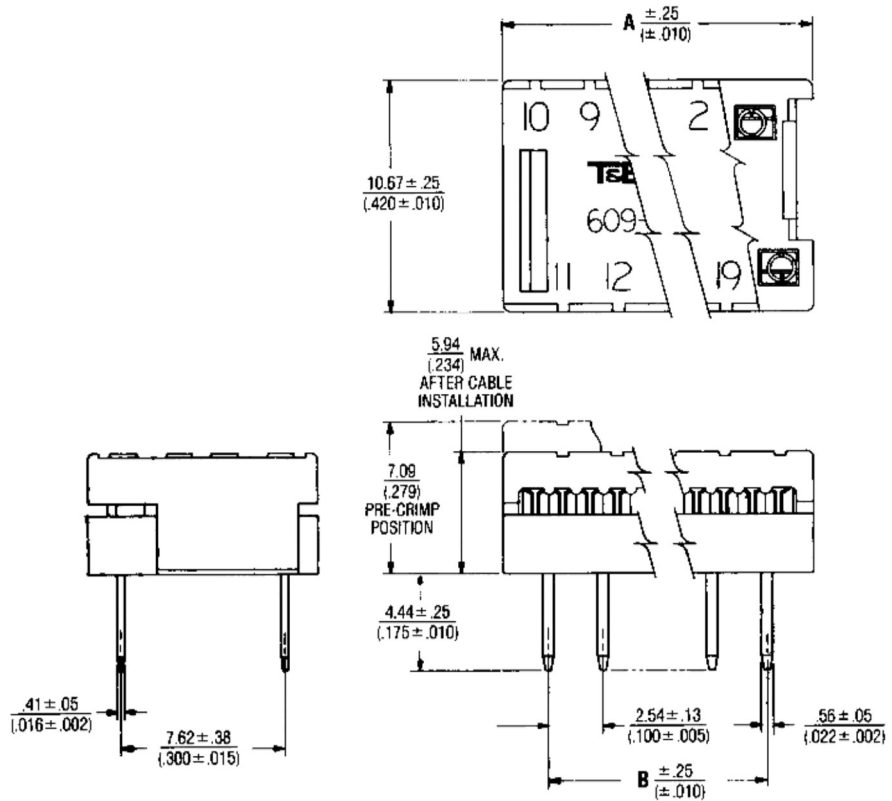
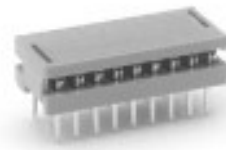
TEMPERATURE RATING: -55°C TO 125°C

APPLICATION TOOLING

- HAND TOOL** 779-2100
use Die 779-2162
- BENCH PRESS (MANUAL)** 779-3200
use Platen 779-3130
use Base Plate 779-3162
- BENCH PRESS (PNEUMATIC)** 779-3500XT
use Platen 779-3130
use Base Plate 779-3162

CABLE

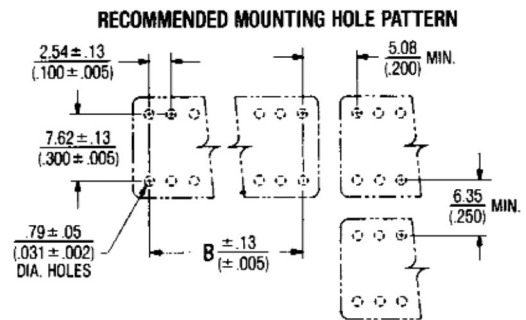
See pages 116-128



Ordering Information

CATALOG NO.	NO. OF POS.	DIMENSIONS IN MM (INCHES)	
		A	B
609-M085H	8	11.76 (.463)	7.62 (.300)
609-M145H	14	19.38 (.763)	15.24 (.600)
609-M165H	16	21.92 (.863)	17.78 (.700)
609-M185H	18	24.46 (.963)	20.32 (.800)
609-M205H	20	27.00 (1.063)	22.86 (.900)
609-M085TH	8	11.76 (.463)	7.62 (.300)
609-M145TH	14	19.38 (.763)	15.24 (.600)
609-M165TH	16	21.92 (.863)	17.78 (.700)
609-M185TH	18	24.46 (.963)	20.32 (.800)
609-M205TH	20	27.00 (1.063)	22.86 (.900)

H = Au OVER Ni
HT = Tin OVER Ni



NOTE: CONNECTOR SPACINGS ARE GIVEN AS MINIMUMS FOR EASE OF PLUGGING OR UNPLUGGING. GREATER SPACING IN AT LEAST ONE DIRECTION IS RECOMMENDED.

**DIP PLUGS
LOW PROFILE
22 POSITION**



LR92984 E60980

PHYSICAL PROPERTIES

INSULATION MATERIAL: Glass filled thermoplastic rated UL 94V-0

COLOR: Blue

CONTACTS: Beryllium copper; 30µ inches min. gold over 50µ inches nickel in contact zone; tin/lead over nickel in termination area.

ELECTRICAL PROPERTIES

CURRENT RATING: 1 Amp

INSULATION RESISTANCE: >1 x 10⁹ Ohms

DIELECTRIC STRENGTH: >1000 VRMS at sea level

ENVIRONMENTAL PROPERTIES

TEMPERATURE RATING: -55°C TO 125°C

APPLICATION TOOLING

HAND TOOL 779-2100

use Die 779-2162

BENCH PRESS (MANUAL) 779-3200

use Platen 779-3130

use Base Plate 779-3162

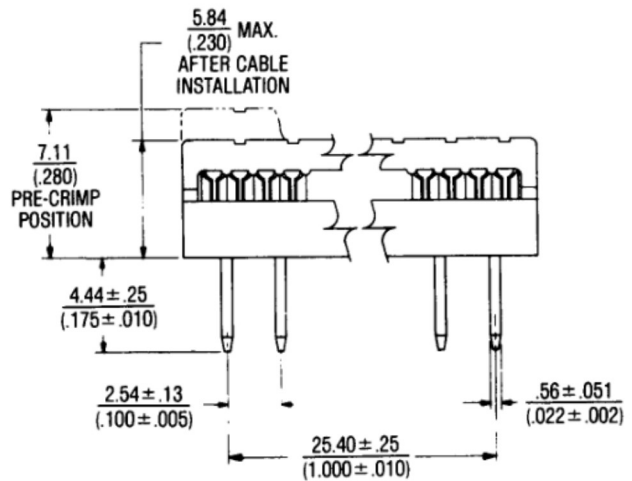
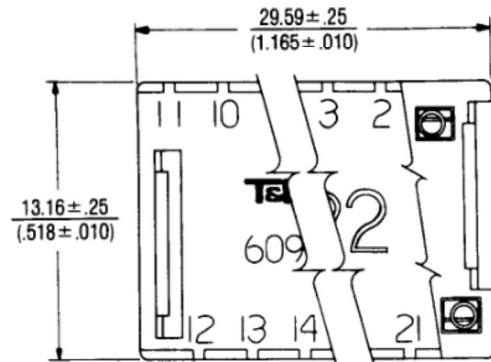
BENCH PRESS (PNEUMATIC) 779-3500XT

use Platen 779-3130

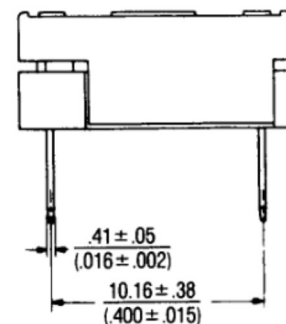
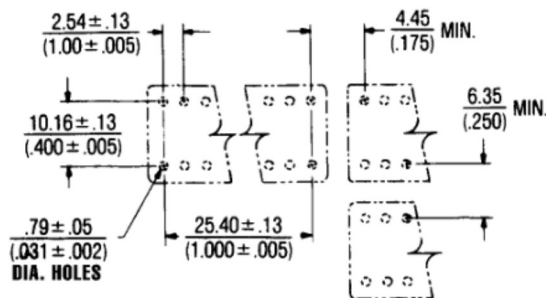
use Base Plate 779-3162

CABLE

See pages 116-128



RECOMMENDED MOUNTING HOLE PATTERN



Ordering Information

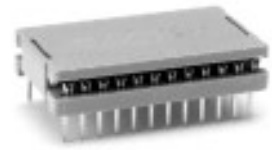
CAT NO.	DESCRIPTION
609-M225H	Gold over Nickel
609-M225TH	Tin over Nickel

Note: Connector spacings are given as minimums for ease of plugging or unplugging. Greater spacing in at least one direction is recommended.

**DIP PLUGS
LOW PROFILE
24 TO 48 POSITION**



LR92984 E60980



PHYSICAL PROPERTIES

INSULATION MATERIAL: Glass filled thermoplastic rated UL 94V-0

COLOR: Blue

CONTACTS: Beryllium copper; 30µ inches min. gold over 50µ inches nickel in contact zone; tin/lead over nickel in termination area.

ELECTRICAL PROPERTIES

CURRENT RATING: 1 Amp

INSULATION RESISTANCE: >1 x 10⁹ Ohms

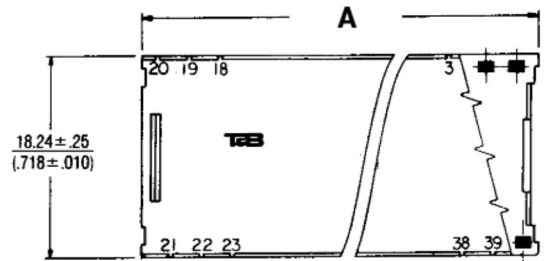
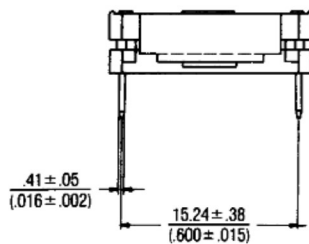
DIELECTRIC STRENGTH: >1000 VRMS at sea level

ENVIRONMENTAL PROPERTIES

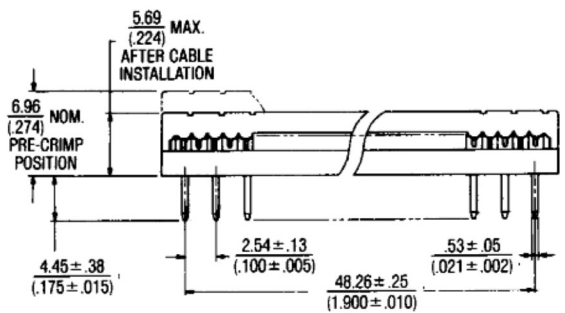
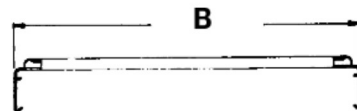
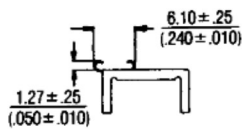
TEMPERATURE RATING: -55°C TO 125°C

CABLE

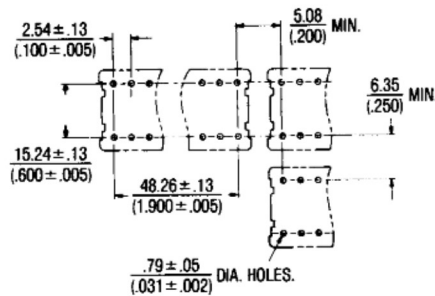
See pages 116-128



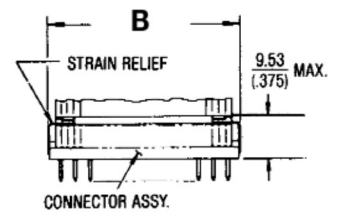
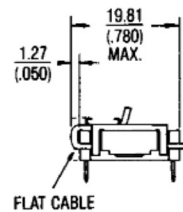
STRAIN RELIEF



RECOMMENDED MOUNTING HOLE PATTERN



CONNECTOR ASSEMBLY WITH STRAIN RELIEF



Ordering Information

NO. OF POSITIONS	GOLD OVER NICKEL	CATALOG NO. BY CONTACT STYLE		STRAIN RELIEF	DIMENSIONS	
		TIN OVER NICKEL			A	B
24	609-M245H	609-M245TH		609-M245S	32.00 ± .25 (1.260 ± .010)	32.00 ± .25 (1.260 ± .010)
40	609-M407H	609-M407TH		609-M407S	52.83 ± .25 (2.080 ± .010)	52.45 ± .25 (2.065 ± .010)
48	609-M485H	609-M485TH		609-M485S	62.63 ± .25 (2.466 ± .010)	—