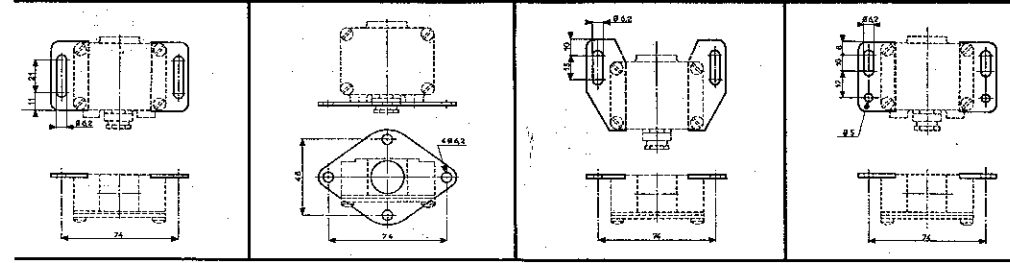


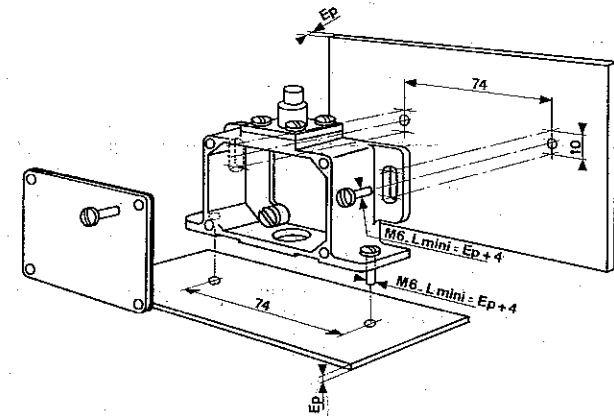
Ensemble Assembly Schaltelement Conjunto Insieme				
	83.701.0			
	83.701.5	83.714 83.720	83.740	83.707
	83.706.0	83.719.0 83.725.0	83.744.0	83.713.0
	83.706.5	83.719.5 83.725.5	83.744.5	83.713.5
	83.703	83.715 83.721	83.741	83.708
	83.704	83.716 83.722	83.742	83.710
	83.705	83.718 83.724	83.743	83.711
	83.702	83.717 83.723	83.745	83.709

Accessoires de fixation pour types 83.714 - 83.720 - 83.740 et dérivés
 Accessories for fixing types 83.714 - 83.720 - 83.740 and derivatives
 Befestigungszubehör für typen 83.714 - 83.720 - 83.740 und abgeleitete Typen
 Accesorios de fijación para los tipos 83.714 - 83.720 - 83.740 y derivados
 Accessori di fissaggio per i tipi 83.714 - 83.720 - 83.740 e derivati



Règles d'utilisation
 Installation instructions
 Einbauanweisung
 Normas de instalación
 Prescrizioni d'installazione

83.701.0 83.707



83.714 - 83.720 - 83.740

