



# SOURIAU

## 838 Series

Railway Connectors



# 838 Series



## Contents

### Overview

SOURIAU's railway connector range overview ...	06
SOURIAU's railway strategy .....	07
General technical characteristics .....	08
Description .....	10
Layouts overview .....	11
Heating curves .....	12
Data transmission performances .....	15
Ordering information .....	16
Series range overview.....	17

### Mechanics & Backshells

Shell size E .....	18
Shell size C .....	28
Shell size J .....	40
Shell size B .....	48
Accessories .....	57

### Contacts

Machined crimp contact .....	60
Twinax .....	61
Quadrax .....	62

### Technical information

Contact crimp tooling .....	66
Contact Twinax tooling .....	67
Contact Quadrax tooling .....	67
Contact removal .....	67
Pin wrench .....	68
Contact crimping instruction .....	68
How to harness a shielded cable .....	168
Quadrax crimping instruction .....	122
Backshell exploded views.....	122
Connector mated length / Insert orientations .....	170

838 series



838 Series

# Overview

■ SOURIAU's railway connector range overview .....	06
■ SOURIAU's railway strategy .....	07
■ General technical characteristics .....	08
■ Description .....	10
■ Layouts overview .....	11
■ Heating curves .....	12
■ Data transmission performances .....	13
■ Ordering information .....	14



# 838 Series Overview

## SOURIAU's railway connector range overview

### For outdoor equipments

#### 838



Up to 61 contacts  
Signal, power and Quadrax layouts  
Compliant to NFF61030

#### VGE1 / FER1



Up to 60 contacts  
Signal and Quadrax layouts  
Tested following NFF61030

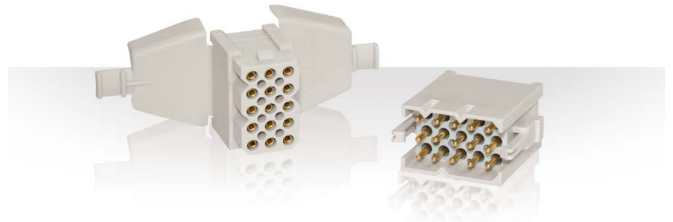
### For indoor equipments

#### SMSIP



3 to 12 contacts #16  
High operating voltage up to 500 V  
Compliant to CEN / TS 45-545 & NF F 16-101/16-102

#### SMS Flame retardant



Up to 36 contacts #16  
Up to 220V according to EN50124-1 / OV2PD2  
Tested following NFF61030

#### UTO



Up to 48 contacts #16  
Up to 120V according to EN50124-1 / OV3PD2

#### UTS



Up to 23 contacts #16  
Up to 120V according to EN50124-1 / OV3PD3



### SOURIAU on the railway market

SOURIAU is a recognised worldwide market leader in the design and manufacture of connectors and interconnect systems for severe environments. SOURIAU has developed a dedicated range of ruggedised and reliable connectors for the railway market, fully compliant with railway standards, RoHS, as well as fire and smoke requirements.

For more than 50 years, SOURIAU has become a trusted name by major railway equipment manufacturers, their subcontractors, also signalling and infrastructure companies.

SOURIAU connectors are designed to integrate new functions such as Ethernet network, weight reduction, mixed signal-power in compliance with environmental protection. This offer is the best compromise between technology, safety, reliability and cost.

SOURIAU has been awarded IRIS certification since 2009.



- ✓ Standard contacts for 4 railway ranges
- +
- ✓ Same crimping tools
- +
- ✓ Simplified process
- =
- Best compromise between technology and cost



- ✓ Fiber optic
- +
- ✓ Quadrax technology
- =
- High speed solutions for real-time information



- ✓ Eco-conception & process
- +
- ✓ Safety international standards
- +
- ✓ Lightweight material
- =
- Efficient railway equipments

# 838 Series

## Overview

### General technical

#### Mechanical

- Locking system:  
screw
- Durability:  
500 mating/unmating cycles
- Vibration resistance:  
 $A=25/f - 1 \text{ Hz} < f < 10 \text{ Hz}$   
 $A=250/f - 10 \text{ Hz} < f < 100 \text{ Hz}$   
For other requirements, consult us
- Shock:  
 $\pm 3g$  IEC 68-2-27
- Coding:
  - Removable coding system enables the operator to choose between 12 different key orientations (delivered in position 1)
  - Both male & female insulators can fit in either the plugs or the receptacles
- Compliant to NFF 61030

#### Environmental

- Temperature range:  
 $-40^{\circ}\text{C}$  to  $+100^{\circ}\text{C}$
- Dry heat test:  
 $100^{\circ}\text{C}$  for 96 hours
- Salt spray resistance:  
500 hours
- Sealing:  
IP66 and IP67 (with adapted backshell)
- Damp heat:  
21 days,  $+40^{\circ}\text{C}$ , 90% relative humidity (NFC 20703)





# 838 Series

## Overview

### characteristics



#### Material

- Shell:  
Aluminium alloy
- Conductive shell plating  
500 hours salt spray resistant
- Insulator:  
Hard thermoplastic in accordance with NFF16101-16102 exigence I2F3 (Fire & smoke emissions) for installations on equipments category A1  
UL94-V0
- Contacts:  
Copper alloy, silver or gold plated  
Crimp type

#### Electrical

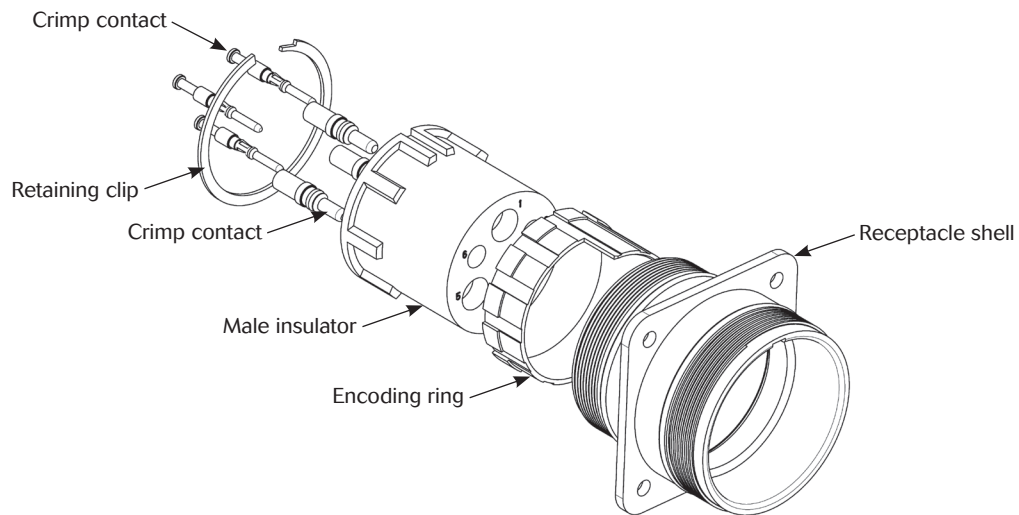
- Contacts resistance, following NFF 61030:  
Contact Ø2 mm:  $\leq 2 \text{ m}\Omega$  max  
Quadrax Contacts #20:  $\leq 6 \text{ m}\Omega$ ,  $\leq 2 \text{ m}\Omega$  (cell)
- Withstanding voltage:  
Contact Ø2 mm: 3250 V  
Quadrax between contacts #20:  $\geq 1000 \text{ V}$   
Quadrax between cell / contacts #20:  $\geq 500 \text{ V}$
- Insulation resistance:  
Contact Ø2 mm:  $\geq 5000 \text{ m}\Omega$  (under 500Vcc)  
Quadrax:  $\geq 3000 \text{ m}\Omega$  (contacts #20)
- Cable sections:  
Quadrax line contacts: 0.21 - 0.93 mm<sup>2</sup>  
Contact Ø2 mm: 0.5 - 1.5 mm<sup>2</sup>
- Service voltage per layout:  
500Vcc / 380 Vac following NFF 61030

# 838 Series

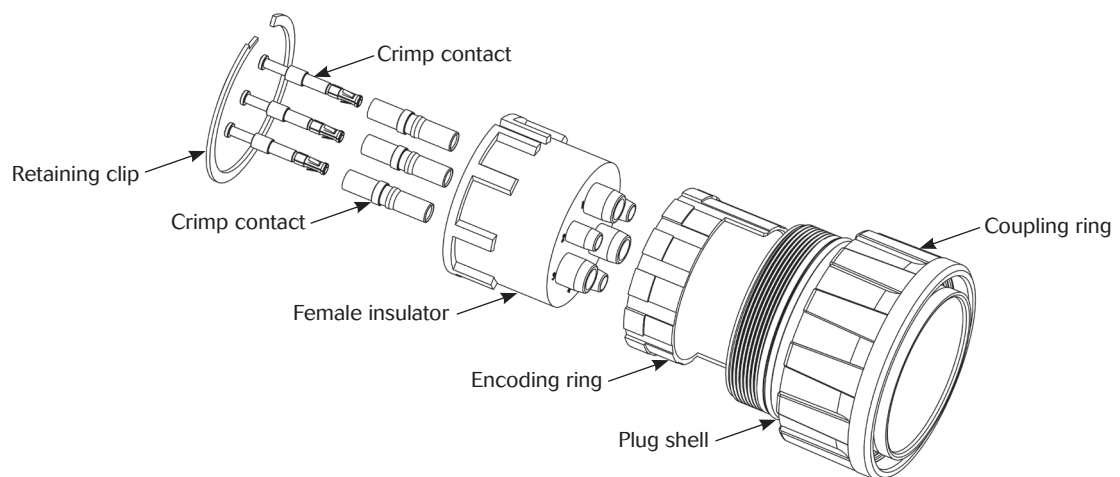
## Overview

### Description

#### Receptacle



#### Plug



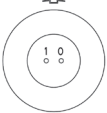
# 838 Series

## Overview

### 838 layouts overview

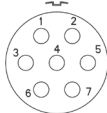
#### Size E

**E-01**



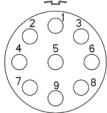
1 Twinax contact  
120 Ω

**E-07**



7 Contacts  
Ø2 mm

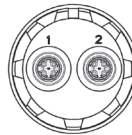
**E-09**



9 Contacts  
Ø2 mm

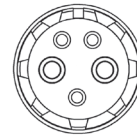
#### Size C

**C-02**



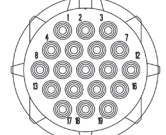
2 Quadrax  
Ø1 mm

**C-05**



2 Contacts Ø5 mm  
3 Contacts Ø2 mm

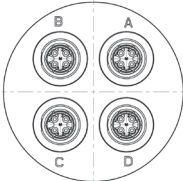
**C-19**



19 Contacts  
Ø2 mm

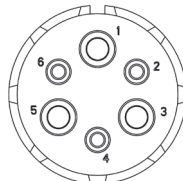
#### Size J

**J-04**



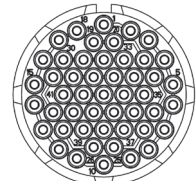
4 Quadrax  
Ø1 mm

**J-06**



3 Contacts Ø3 mm  
3 Contacts Ø5 mm

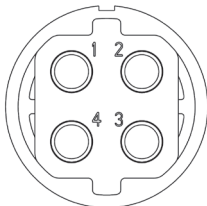
**J-49**



49 Contacts  
Ø1.6 mm

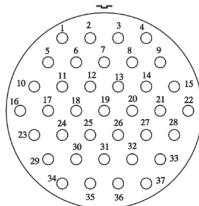
#### Size B

**B-04**



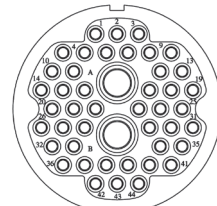
4 Contacts  
Ø12 mm

**B-37**



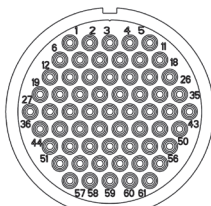
37 Contacts  
Ø3 mm

**B-45**



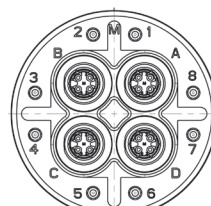
44 Contacts Ø2 mm  
2 Twinax 105 Ω

**B-61**



61 Contacts  
Ø2 mm

**B-4A8**



4 Quadrax Ø1 mm  
8 Contacts Ø2 mm

Vues avant insert male

# 838 Series Overview

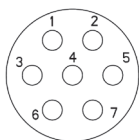
## 838 heating curves

### Test conditions:

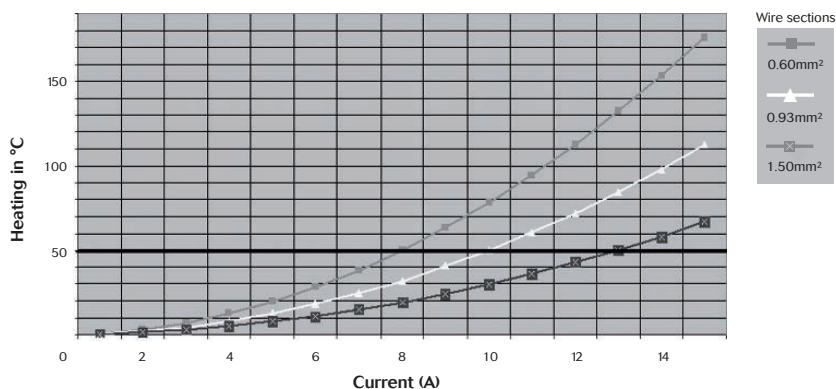
- Current per contact
- All contacts loaded
- Max heating in C° allowed following NFF 61030: 50°C

### Size E

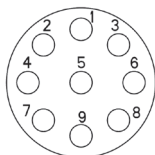
#### E-07



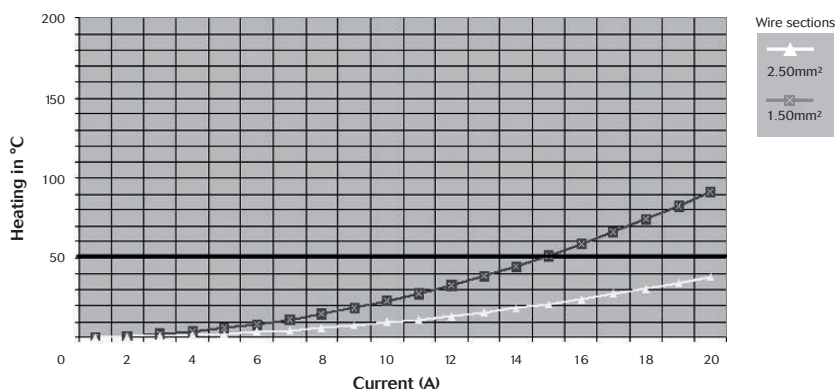
7 Contacts  
Ø2 mm



#### E-09

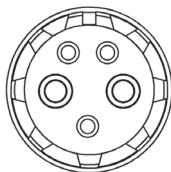


19 Contacts  
Ø2 mm

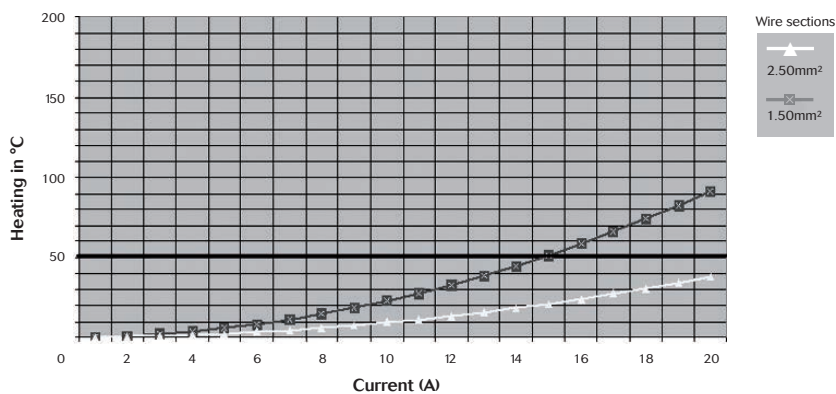


### Size C

#### C-05

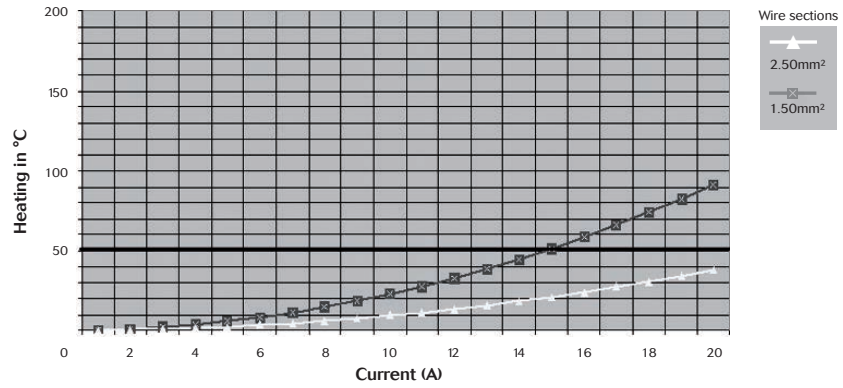
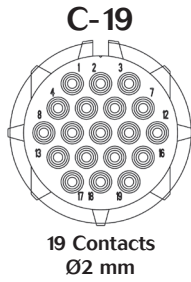


19 Contacts  
Ø2 mm

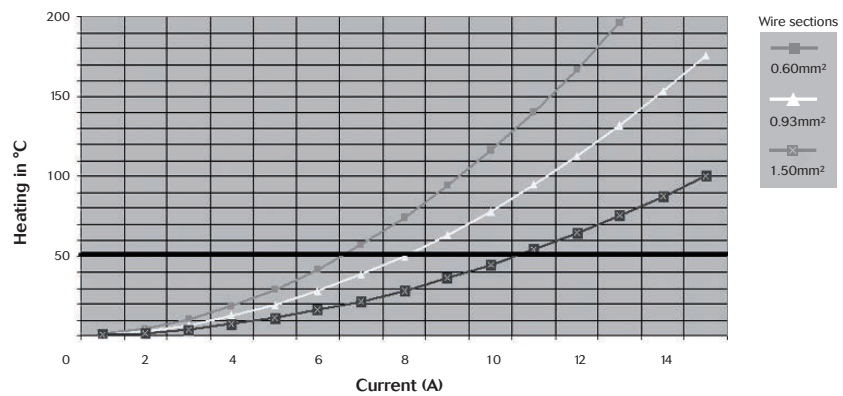
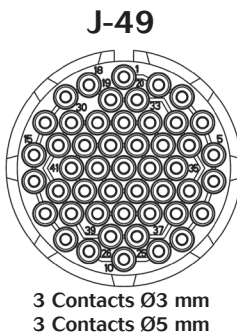
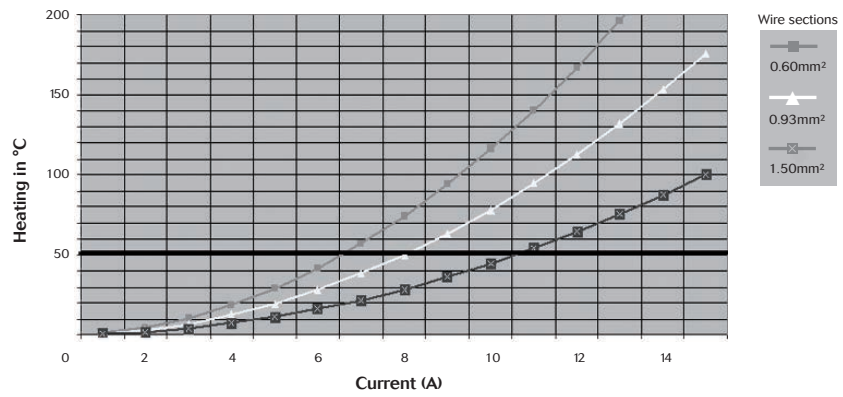
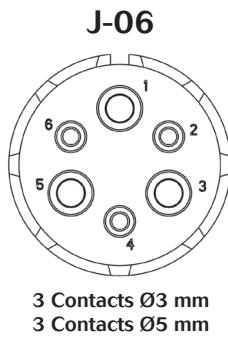


# 838 Series Overview

## Size C



## Size J





# 838 Series

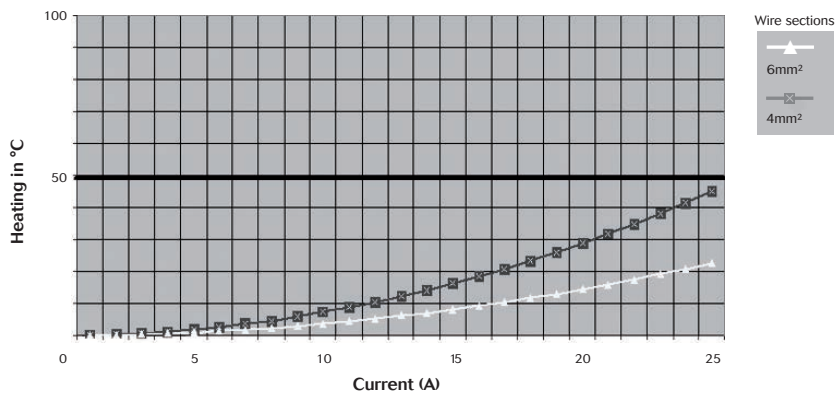
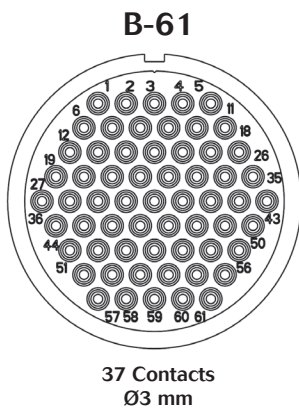
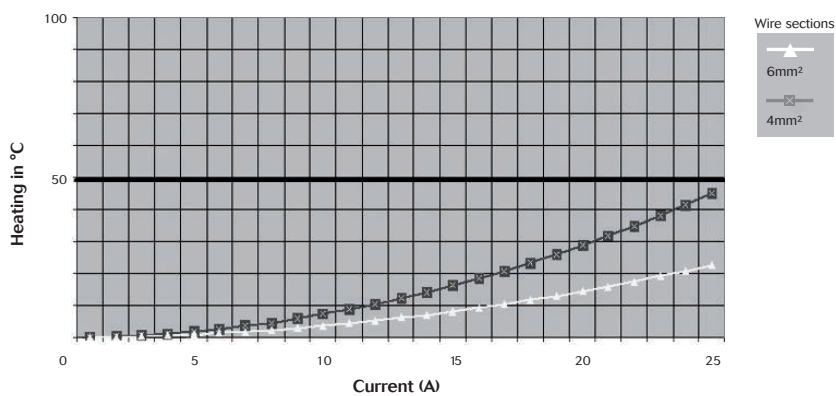
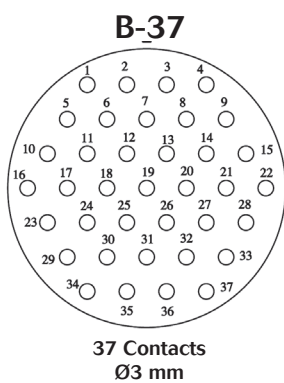
## Overview

### 838 heating curves

#### Test conditions:

- Current per contact
- All contacts loaded
- Max heating in C° allowed following NFF 61030: 50°C

#### Size B





# 838 Series

## Overview

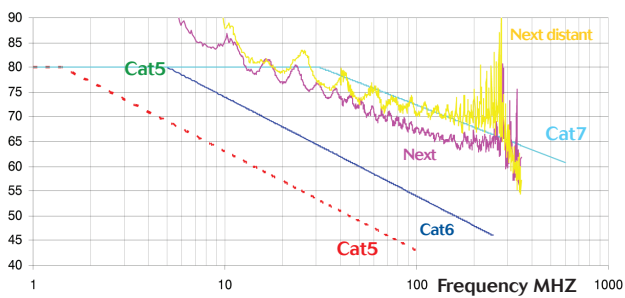
### Data transmission performances

Tests following IEC 11-801  
 For cabling specifications please contact us.

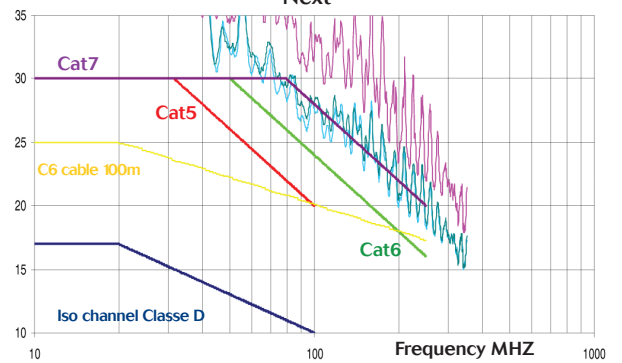
#### E-09

Standard version with 4 contacts Ø2 mm: Cat. 5

Return Loss



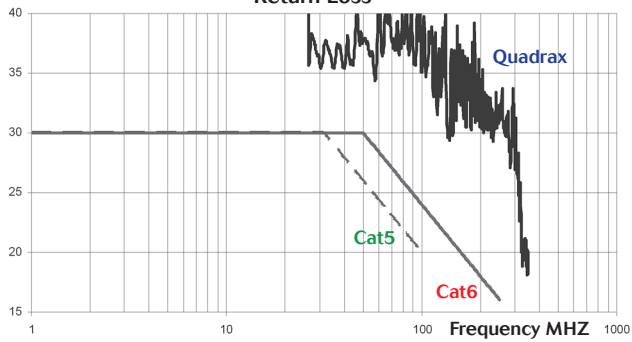
Next



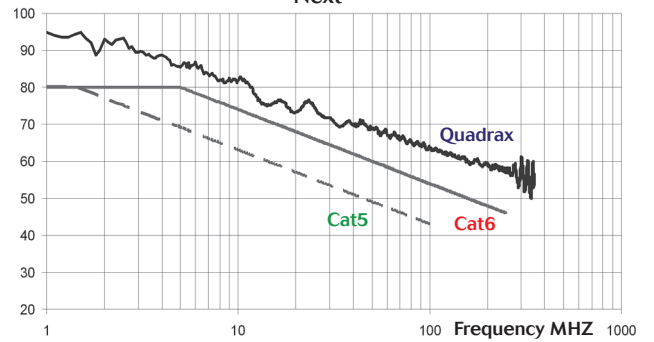
#### Quadrax-C-02

Quadrax version: Cat. 6

Return Loss



Next



# 838 Series

## Overview

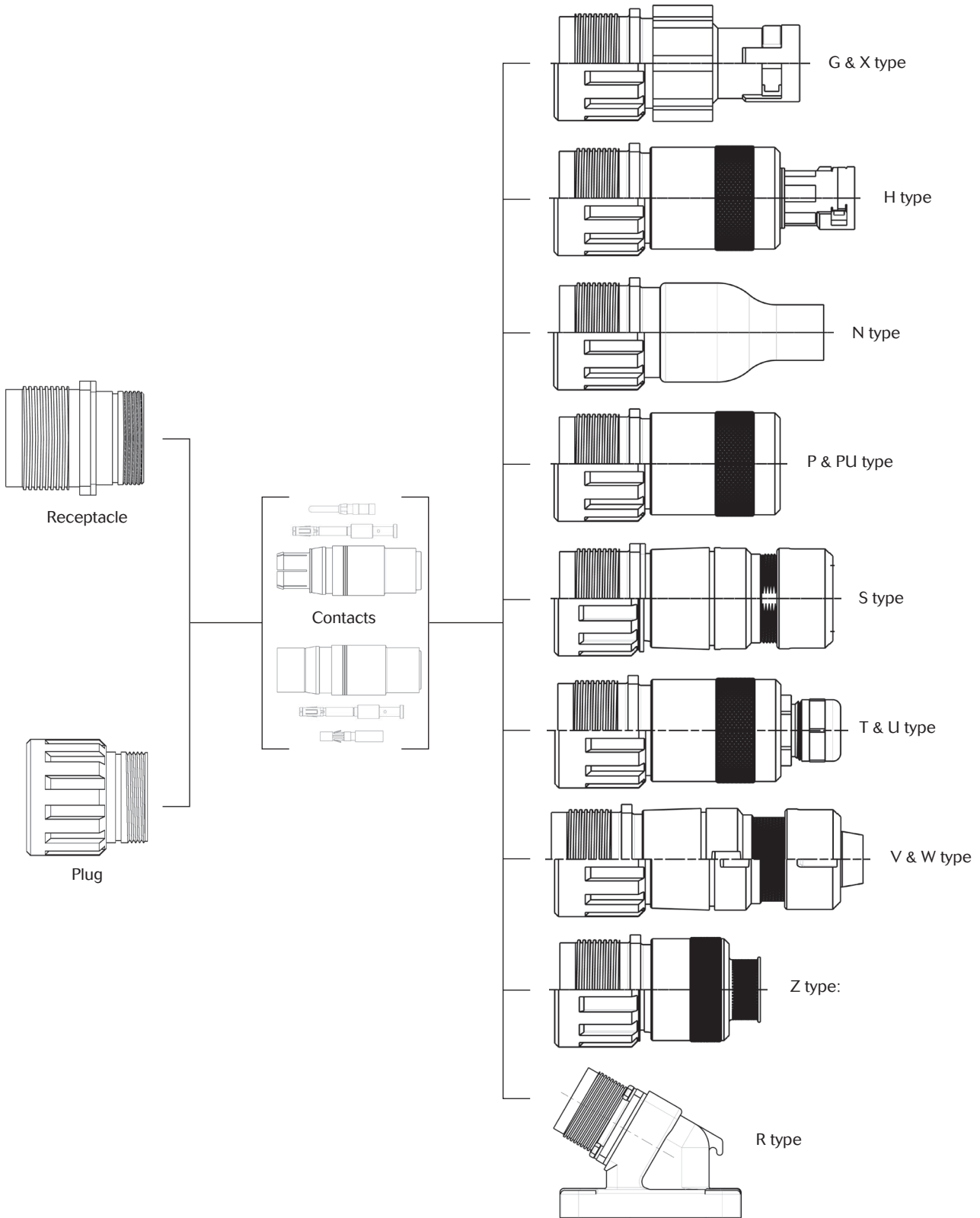
### Ordering information

#### 838

Basic series*	838	0	E	1	C	19	5	L	M	0	A
<b>Coupling type:</b>											
0:	Screw coupling with coding option										
2:	Screw coupling without coding option (shell size B only)										
<b>Connector type:</b>											
E:	Receptacle										
F:	Plug										
<b>Shell type:</b>											
0:	Square flange receptacle without panel gasket										
1:	Square flange receptacle with panel gasket										
0:	Plug without clicker locking										
1:	Plug with clicker locking (shell sizes E and C only)										
<b>Shell size:</b>											
E; C; J; B											
<b>Layout:</b>											
See page 11											
<b>Contact gender:</b>											
1:	Male crimp contact										
5:	Female crimp contact										
<b>Contact type:</b>											
L:	Connector supplied without contact										
B to U:	Connector supplied with contacts (see page ?)										
<b>Backshell type:</b>											
G:	Straight backshell for PMA conduit (shell sizes E and C)										
H:	Straight adaptor and backshell for PMA conduit										
M:	Without backshell, nor accessories										
N:	With boot										
P:	?????										
PU:	?????										
R:	Receptacle assembled on 30°										
S:	Straight backshell with sealing gland and backshell for PMA flexible tube (shell sizes B only)										
T:	Backshell with low profile sealing gland										
U:	Backshell T type with shielding termination										
V:	Straight backshell with sealing gland (shell sizes E and C)										
W:	Straight backshell with cable clamp and sealing gland										
X:	?????										
Y:	?????										
Z:	Backshell for shielding termination										
<b>Index:</b>											
Backshell specification	see table page ?										
<b>Insert:</b>											
A:	Thermoplastic insert										

# 838 Series Overview

## 838 Series range overview



838 series



838 Series

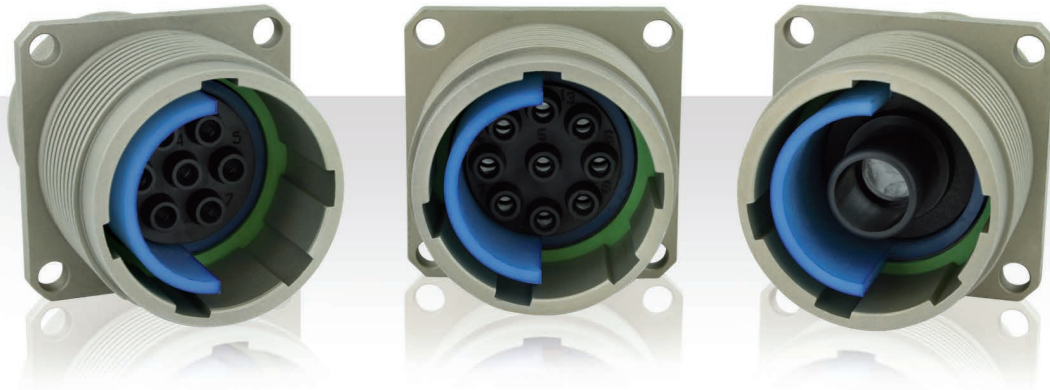
# Mechanics

■ Shell size E .....	18
■ Shell size C .....	28
■ Shell size J .....	38
■ Shell size B .....	44



# 838 Series

## Shell size E



### Receptacle

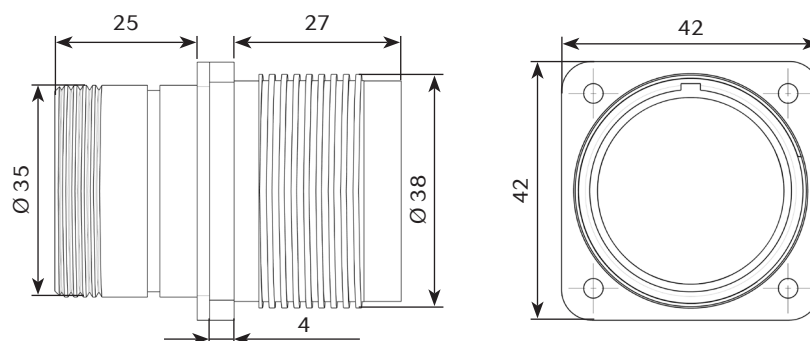
Connector PN*	Panel gasket	Layout	Insert	Contact PN**	
8380E1E011LM0A	Yes	E-01	Male	-	
8380E1E011SM0A	Yes		Male	83801009	
8380E1E071LM0A	Yes		Male	-	
8380E1E071BM0A	Yes	E-07	Male	8380722	
8380E1E075LM0A	Yes		Female	-	
8380E1E075BM0A	Yes		Female	8380725	
8380E0E071LM0A	No		Male	-	
8380E0E071BM0A	No		Male	8380722	
8380E0E075LM0A	No		Female	-	
8380E0E075BM0A	No		Female	8380725	
8380E1E091LM0A	Yes		E-09	Male	-
8380E1E091BM0A	Yes			Male	8380722
8380E1E095LM0A	Yes			Female	-
8380E1E095BM0A	Yes	Female		8380725	
8380E0E091LM0A	No	Male		-	
8380E0E091BM0A	No	Male		8380722	
8380E0E095LM0A	No	Female		-	
8380E0E095BM0A	No	Female		8380725	

\*: Connector delivered without backshell.

\*\* : for contact details, see page 60.

Other configurations are possible. Please consult us for further information.

### Dimensions





# 838 Series

## Shell size E



### Plug

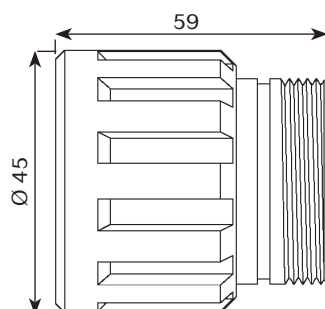
Connector PN*	Panel gasket	Layout	Insert	Contact PN**	
8380F0E015LM0A	No	E-01	Female	-	
8380F0E015SM0A	No		Female	83801000	
8380F1F071LM0A	Yes	E-07	Male	-	
8380F1F071BM0A	-		Male	8380722	
8380F1E075LM0A	Yes		Female	-	
8380F1E075BM0A	-		Female	8380725	
8380F0E071LM0A	No		Male	-	
8380F0E071M0A	-		Male	8380722	
8380F0E075LM0A	No		Female	-	
8380F0E075BM0A	-		Female	8380725	
8380F1E091LM0A	Yes		E-09	Male	-
8380F1E091BM0A	-			Male	8380722
8380F1E095LM0A	Yes	Female		-	
8380F1E095BM0A	-	Female		8380725	
8380F0E091LM0A	No	Male		-	
8380F0E091BM0A	-	Male		8380722	
8380F0E095LM0A	No	Female		-	
8380F0E095BM0A	-	Female		8380725	

\*: Connector delivered without backshell.

\*\*.: for contact details, see page 60.

Other configurations are possible. Please consult us for further information.

### Dimensions

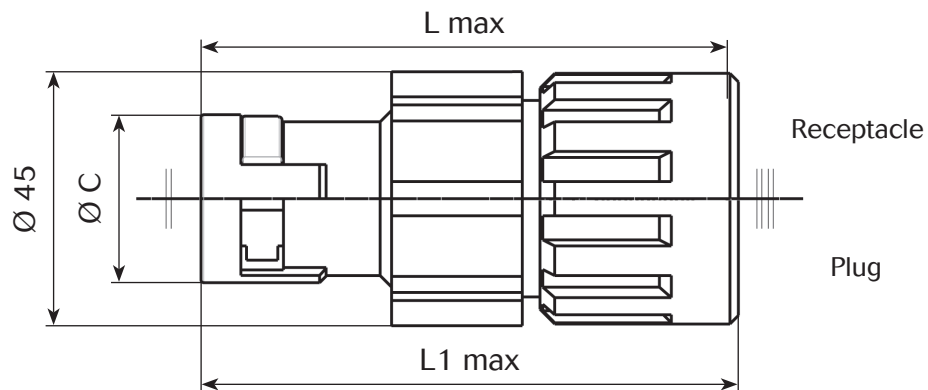


# 838 Series

## Shell size E

### Backshells

#### G type - Receptacles and plugs with backshell for PMA conduit



Type	Connector PN*	Panel gasket	Clicker locking	Layout	Insert	Contact PN**	L or L1	Ø C	PMA conduit	
Receptacle	8380E1E071BG2A	Yes	-	E07	Male	8380722	89	17.7	NW12	
	8380E0E071BG7A	No	-		Male	8380722	96	23	NW17	
	8380E1E071BG7A	Yes	-		Male	8380722	96	23	NW17	
	8380E1E071BG3A	Yes	-		Male	8380722	102	30.5	NW23	
	8380E1E075HG3A	Yes	-		Female	8380973	102	30.5	NW23	
	8380E1E071BG9A	Yes	-		Male	8380722	98	37	NW29	
	Plug	8380E1E095BG7A	Yes	-	E09	Female	8380725	96	23	NW17
		8380E1E091BG7A	Yes	-		Male	8380722	96	23	NW17
		8380E1E091BG3A	Yes	-		Male	8380722	102	30.5	NW23
		8380E1E091BG9A	Yes	-		Male	8380722	98	37	NW29
Plug		8380F1E071BG2A	-	Yes	E07	Male	8380722	91	17.7	NW12
		8380F0E075BG2A	-	No		Female	8380725	91	17.7	NW12
		8380F1E075BG2A	-	Yes		Female	8380725	91	17.7	NW12
		8380F0E075BG7A	-	No		Female	8380725	98	23	NW17
		8380F1E075BG7A	-	Yes		Female	8380725	98	23	NW17
		8380F1E071BG7A	-	Yes		Male	8380722	98	23	NW17
	8380F0E071HG3A	-	No	Male		8380970	104	30.5	NW23	
	8380F0E075BG3A	-	No	Female		8380725	104	30.5	NW23	
	8380F0E075HG3A	-	No	Female		8380973	104	30.5	NW23	
	8380F1E075BG3A	-	Yes	Female		8380725	104	30.5	NW23	
	8380F1E075BG9A	-	Yes	Female		8380725	100	37	NW29	
	8380F0E095BG7A	-	Yes	E09		Female	8380725	98	23	NW17
	8380F1E095BG7A	-	No			Female	8380725	98	23	NW17
	8380F0E095BG3A	-	No			Female	8380725	104	30.5	NW23
	8380F1E095BG3A	-	Yes			Female	8380725	104	30.5	NW23
8380F1E095BG9A	-	Yes	Female		8380725	100	37	NW29		

\*: Connector delivered with contacts, with a backshell.

\*\* : for contact details, see page 60.

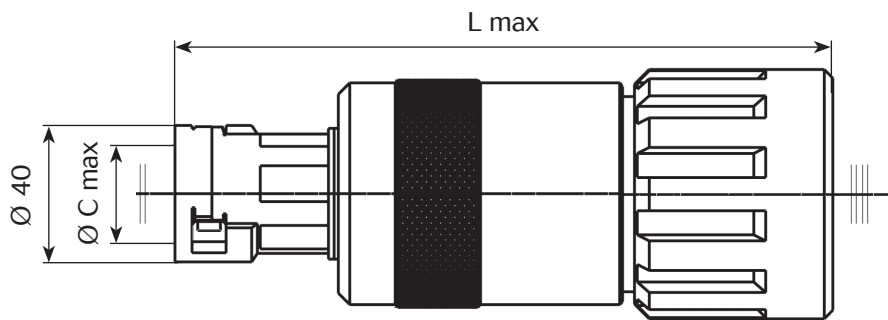
Other configurations are possible. Please consult us for further information.

Note: all dimensions are in mm

# 838 Series

## Shell size E

### H type - Plug with straight adaptor and backshell for PMA conduit



Type	Connector PN*	Panel gasket	Clicker locking	Layout	Insert	Contact PN**	L	Ø C	PMA conduit
Plug	<b>8380F0E095BH7A</b>	-	No	E09	Female	8380973	126	20.5	NW17

\*: Connector delivered with contacts, with a backshell.

\*\* : for contact details, see page 60.

Other configurations are possible. Please consult us for further information.

# 838 Series

## Shell size E

### Backshells

N type - Receptacles and plugs with boot								
Type	Connector PN*	Panel gasket	Clicker locking	Layout	Insert	Contact PN**	L or L1	Ø C
Receptacle	8380E1E071BN0A	Yes	-	E07	Male	8380722	106	17.3
	8380E1E075BN0A	Yes	-	E07	Female	8380725		
	8380E0E091BN0A	No	-	E09	Male	8380722		
	8380E1E091BN0A	Yes	-	E09	Male	8380722		
	8380E1E091HN0A	Yes	-	E09	Male	8380970		
	8380E1E095BN0A	Yes	-	E09	Female	8380725		
Plug	8380F0E071BN0A	-	No	E07	Male	8380722	107	
	8380F0E075BN0A	-	No	E07	Female	8380725		
	8380F1E071BN0A	-	Yes	E07	Male	8380722		
	8380F1E075BN0A	-	Yes	E07	Female	8380725		
	8380F0E095BN0A	-	No	E09	Female	8380725		
	8380F1E095BN0A	-	Yes	E09	Female	8380725		

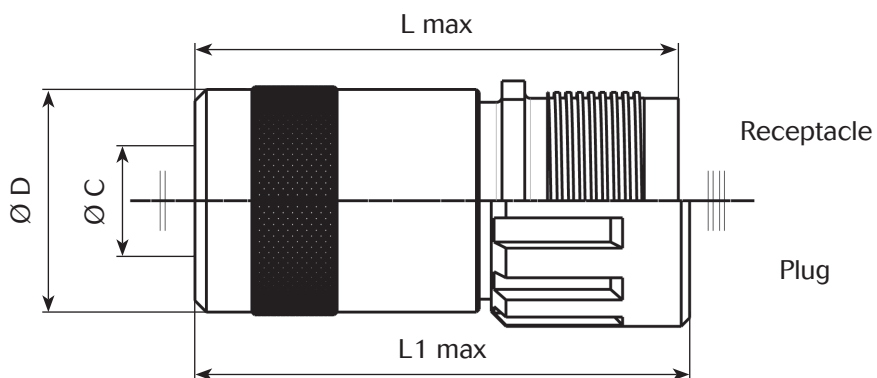
\*: Connector delivered with contacts, with a backshell.      \*\*: for contact details, see page 60.      Other configurations are possible. Please consult us for further information.

Note: all dimensions are in mm

# 838 Series

## Shell size E

### P type - Receptacles and plugs with straight threaded backshell



Type	Connector PN*	Panel gasket	Clicker locking	Layout	Insert	Contact PN**	L or L1	Ø C	Ø D
Receptacle	8380E1E071BP11A	Yes	-	E07	Male	8380722	87	PG16	40
	8380E1E091B1P0A	Yes	-	E09	Male	8380726		M25	
	8380E1E091BP0A	Yes	-	E09	Male	8380722			
Plug	8380F1E095BP13A	-	Yes	E09	Female	8380725	89	PG29	

\*: Connector delivered with contacts, with a backshell.

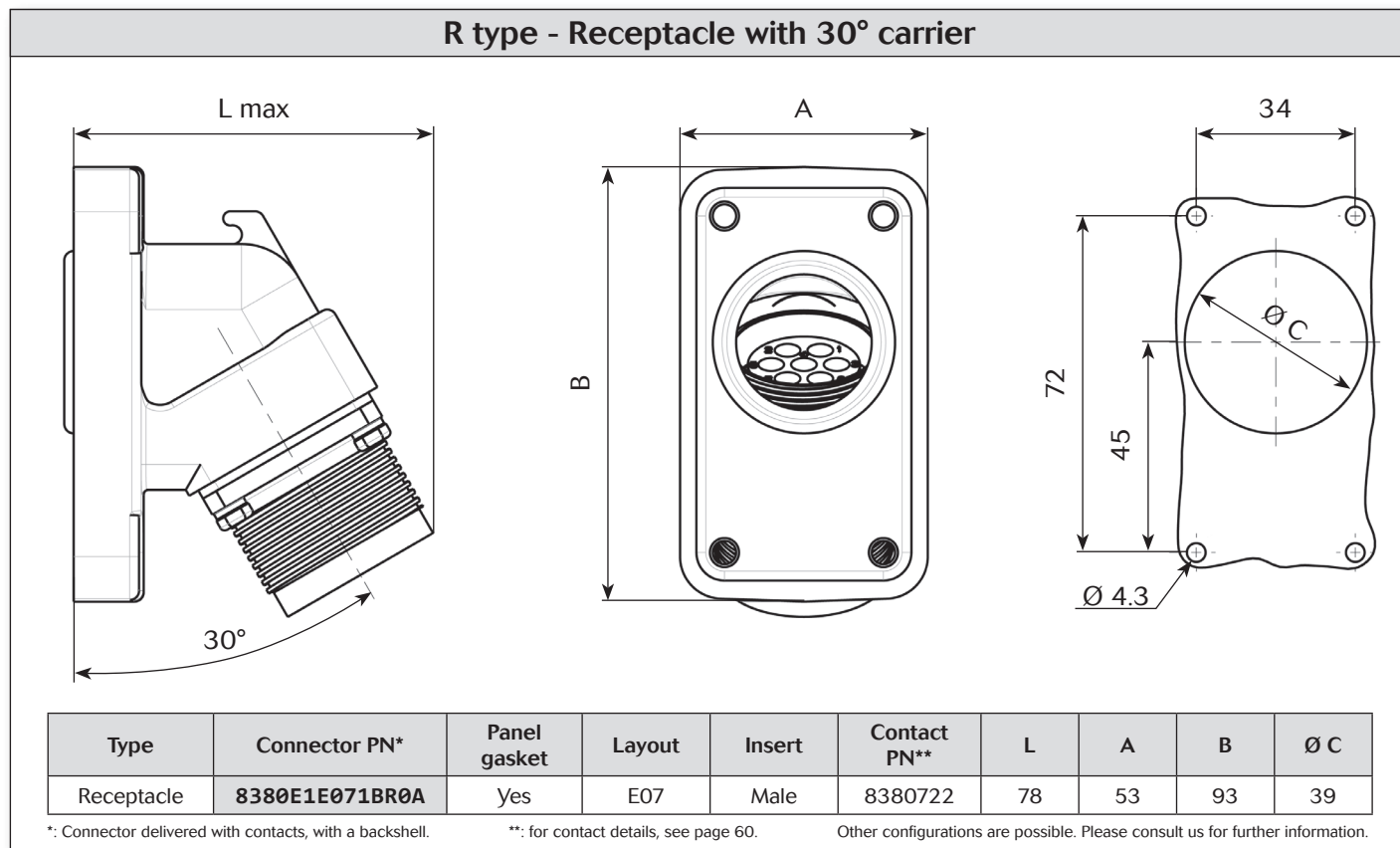
\*\* : for contact details, see page 60.

Other configurations are possible. Please consult us for further information.

# 838 Series

## Shell size E

### Backshells



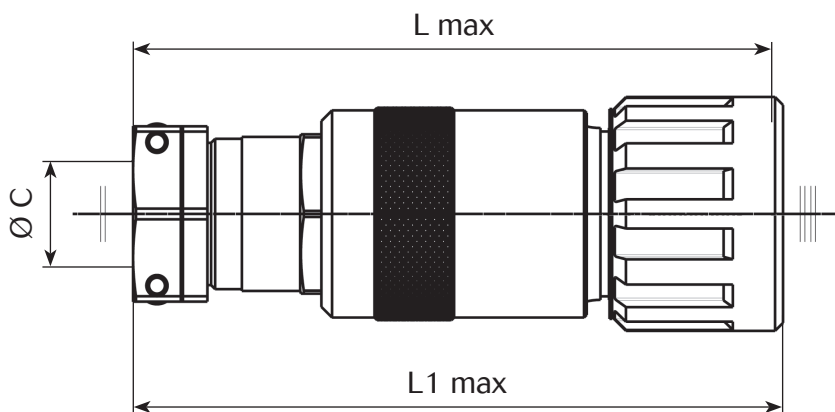
Note: all dimensions are in mm



# 838 Series

## Shell size E

### T type - Receptacles and plugs with cable clamp with sealing gland



Type	Connector PN*	Panel gasket	Clicker locking	Layout	Insert	Contact PN**	L or L1	$\varnothing C$	
								min.	max.
Receptacle	8380E1E091BT0A	Yes	-	E09	Male	8380722	122	12	19
	8380E1E095BT2A	Yes	-	E09	Female	8380725			
Plug	8380F0E075BT0A	-	No	E07	Female	8380725	124		
	8380F1E071BT0A	-	Yes	E07	Male	8380722			
	8380F1E075BT0A	-	Yes	E07	Female	8380725			
	8380F1E095BT0A	-	Yes	E09	Female	8380725			
	8380F1E095HT2A	-	Yes	E09	Female	8380725			

\*: Connector delivered with contacts, with a backshell.

\*\* : for contact details, see page 60.

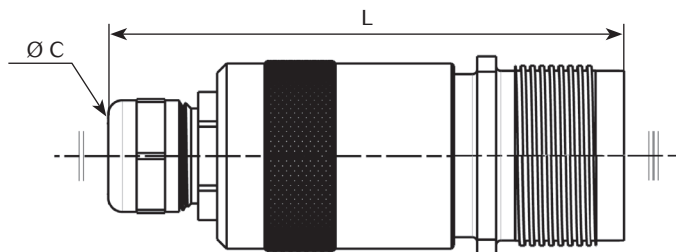
Other configurations are possible. Please consult us for further information.

# 838 Series

## Shell size E

### Backshells

#### U type - Receptacles and plugs with a backshell with shielding termination

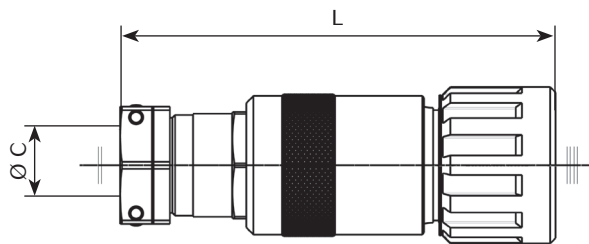


Type	Connector PN*	Panel gasket	Layout	Insert	Contact PN**	L		Ø C
						min.	max.	
Receptacle + adaptor + sealing gland + shielding	<b>8380E1E091BUA01A</b>	Yes	E09	Male	8380722	110	112	2x Ø 7.5

\*: Connector delivered with contacts, with a backshell.

\*\* for contact details, see page 60.

Other configurations are possible. Please consult us for further information.

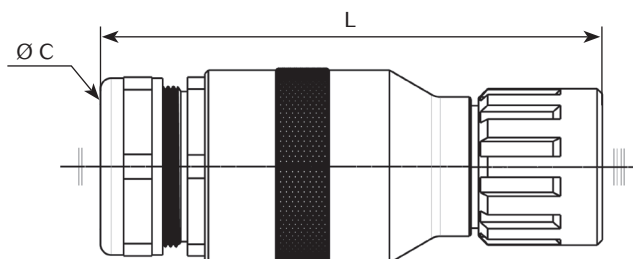


Type	Connector PN*	Clicker locking	Layout	Insert	Contact PN**	L		Ø C	
						min.	max.	min.	max.
Plug + adaptor + sealing gland + shielding	<b>8380F1E071BU0A</b>	Yes	E07	Male	8380722	118	120	8.5	12
	<b>8380F1E075BU0A</b>			Female	8380725				
	<b>8380F1E095BU2A</b>	Yes	E09	Female	8380725	124	126	12	19
	<b>8380F1E095BUA3</b>					128	130	19	29.5

\*: Connector delivered with contacts, with a backshell.

\*\* for contact details, see page 60.

Other configurations are possible. Please consult us for further information.



Type	Connector PN*	Clicker locking	Layout	Insert	Contact PN**	L		Ø C
						min.	max.	
Plug + adaptor + sealing gland + garniture 851 & collier inox	<b>8380F0E095BUB02A</b>	No	E09	Female	8380725	142	144	2x Ø 13

\*: Connector delivered with contacts, with a backshell.

\*\* for contact details, see page 60.

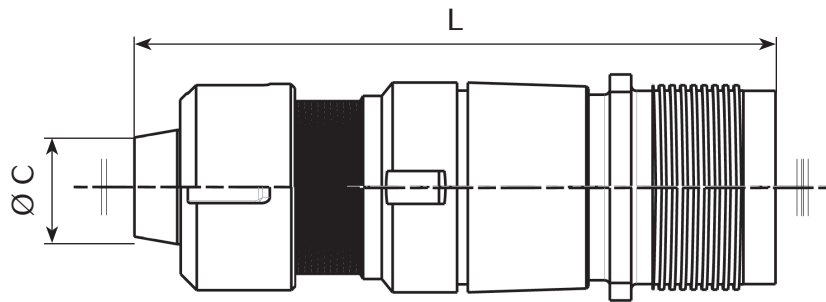
Other configurations are possible. Please consult us for further information.

Note: all dimensions are in mm

# 838 Series

## Shell size E

### V & W type - Receptacles with backshell with sealing gland



Type	Connector PN*	Panel gasket	Clicker locking	Layout	Insert	Contact PN**	L	Ø C	
								min.	max.
Receptacle	8380E0E011SW3A	No	-	E01	Male	83801009	123	6	9
	8380E1E011SW3A	Yes	-	E01	Male	83801009		6	9
	8380E0E071BW0A	No	-	E07	Male	8380722		14.5	17
	8380E0E071BW1A	No	-	E07	Male	8380722		10.1	13.3
	8380E0E071BW3A	No	-	E07	Male	8380722		6	9
	8380E0E075BW0A	No	-	E07	Female	8380725		14.5	17
	8380E0E075BW3A	No	-	E07	Female	8380725		6	9
	8380E1E071BW0A	Yes	-	E07	Male	8380722		14.5	17
	8380E1E071BW1A	Yes	-	E07	Male	8380722		10.1	13.3
	8380E1E071BW2A	Yes	-	E07	Male	8380722		8	11
	8380E1E071BW3A	Yes	-	E07	Male	8380722		6	9
	8380E1E075BW0A	Yes	-	E07	Female	8380725		14.5	17
	8380E1E075BW1A	Yes	-	E07	Female	8380725		10.1	13.3
	8380E1E075BW3A	Yes	-	E07	Female	8380725		6	9
	8380E0E091BW1A	No	-	E09	Male	8380722		10.1	13.3
	8380E0E091BW3A	No	-	E09	Male	8380722		6	9
	8380E0E095BW1A	No	-	E09	Female	8380725		10.1	13.3
	8380E0E095BW2A	No	-	E09	Female	8380725		8	11
	8380E1E091BW0A	Yes	-	E09	Male	8380722		14.5	17
	8380E1E091BW1A	Yes	-	E09	Male	8380722		10.1	13.3
	8380E1E091BW2A	Yes	-	E09	Male	8380722		8	11
	8380E1E091BW3A	Yes	-	E09	Male	8380722		6	9
	8380E1E095BW0A	Yes	-	E09	Female	8380725		14.5	17
	8380E1E095BW1A	Yes	-	E09	Female	8380725	10.1	13.3	
	8380E1E091BV4A	Yes	-	E09	Male	8380722	120	14.5	17

\*: Connector delivered with contacts, with a backshell.

\*\* : for contact details, see page 60.

Other configurations are possible. Please consult us for further information.

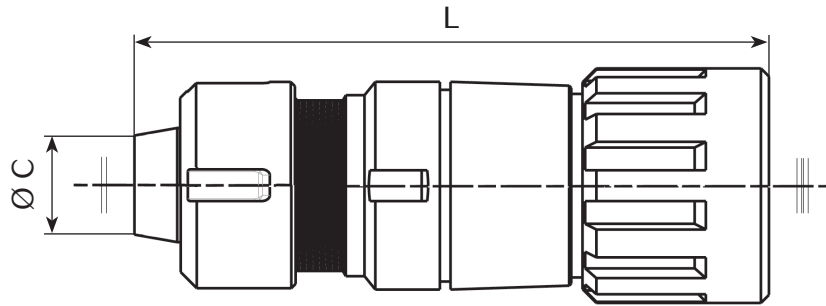
Note: all dimensions are in mm

# 838 Series

## Shell size E

### Backshells

#### V & W type - Plugs with backshell with sealing gland



Type	Connector PN*	Panel gasket	Clicker locking	Layout	Insert	Contact PN**	L	Ø C	
								min.	max.
Plug	8380F0E015BW0A	-	No	E01	Female	8380725	125	14.5	17
	8380F0E015BW1A	-	No	E01	Female	8380725		10.1	13.3
	8380F0E015BW3A	-	No	E01	Female	8380725		6	9
	8380F0E015SW3A	-	No	E01	Female	83801012		6	9
	8380F0E071BW0A	-	No	E07	Male	8380722		14.5	17
	8380F0E071BW1A	-	No	E07	Male	8380722		10.1	13.3
	8380F0E071BW3A	-	No	E07	Male	8380722		6	9
	8380F0E071HW2A	-	No	E07	Male	8380970		8	11
	8380F0E075BW0A	-	No	E07	Female	8380725		14.5	17
	8380F0E075BW1A	-	No	E07	Female	8380725		10.1	13.3
	8380F0E075BW2A	-	No	E07	Female	8380725		8	11
	8380F0E075BW3A	-	No	E07	Female	8380725		6	9
	8380F1E071BW0A	-	Yes	E07	Male	8380722		14.5	17
	8380F1E071BW1A	-	Yes	E07	Male	8380722		10.1	13.3
	8380F1E071BW3A	-	Yes	E07	Male	8380722		6	9
	8380F1E075BW0A	-	Yes	E07	Female	8380725		14.5	17
	8380F1E075BW1A	-	Yes	E07	Female	8380725		10.1	13.3
	8380F1E075BW2A	-	Yes	E07	Female	8380725		8	11
	8380F1E075BW3A	-	Yes	E07	Female	8380725		6	9
	8380F1E075BV2A	-	Yes	E07	Female	8380725		8	11
	8380F0E075HV4A	-	No	E07	Female	8380725		14.5	17
	8380F0E091BW0A	-	No	E09	Male	8380722		14.5	17
	8380F0E091BW1A	-	No	E09	Male	8380722		10.1	13.3
	8380F0E095BW0A	-	No	E09	Female	8380725		14.5	17
	8380F0E095BW1A	-	No	E09	Female	8380725		10.1	13.3
	8380F0E095BW3A	-	No	E09	Female	8380725		6	9
	8380F1E091B1W0A	-	Yes	E09	Male	8380722		14.5	17
	8380F1E091BW0A	-	Yes	E09	Male	8380722		14.5	17
	8380F1E091BW1A	-	Yes	E09	Male	8380722		10.1	13.3
	8380F1E091BW3A	-	Yes	E09	Male	8380722		6	9
	8380F1E095BW0A	-	Yes	E09	Female	8380725		14.5	17
	8380F1E095BW1A	-	Yes	E09	Female	8380725		10.1	13.3
8380F1E095BW2A	-	Yes	E09	Female	8380725	8	11		
8380F1E095HW0A	-	Yes	E09	Female	8380973	14.5	17		

\*: Connector delivered with contacts, with a backshell.

\*\* : for contact details, see page 60.

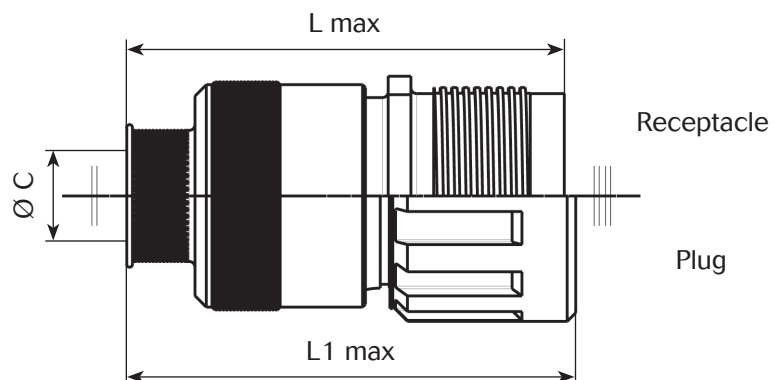
Other configurations are possible. Please consult us for further information.

Note: all dimensions are in mm

# 838 Series

## Shell size E

### Z type - Receptacles and plug with a backshell for shielding termination



Type	Connector PN*	Panel gasket	Clicker locking	Layout	Insert	Contact PN**	L or L1	Ø C	
								min.	max.
Receptacle	<b>8380E1E071BZ0A</b>	Yes	-	E09	Male	8380722	79	8	11
	<b>8380E1E091BZ0A</b>	Yes	-	E09	Male	8380722			
Plug	<b>8380F1E095BZ0A</b>	-	Yes	E07	Female	8380725	81		

\*: Connector delivered with contacts, with a backshell.

\*\* : for contact details, see page 60.

Other configurations are possible. Please consult us for further information.

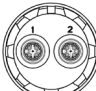
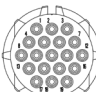
Note: all dimensions are in mm

# 838 Series

## Shell size C

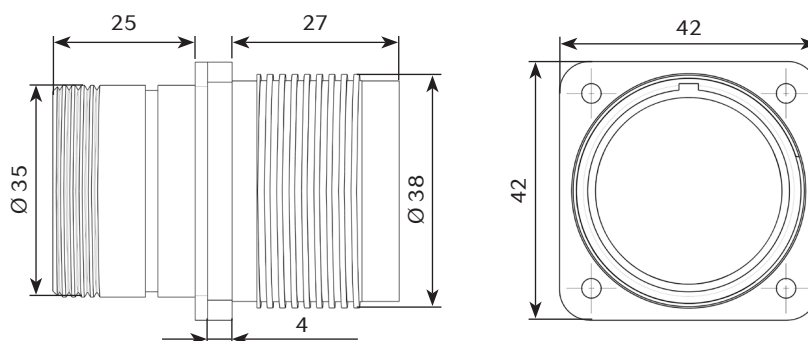


### Receptacle

Layout	Connector type	Specification	Contact type	Part number*
 C-02	Receptacle	With panel gasket	Male	<b>8380E1C021LM0A</b>
			Female	<b>8380E1C025LM0A</b>
 C-19	Receptacle	With panel gasket	Male	<b>8380E1C191LM0A</b>
			Female	<b>8380E1C195LM0A</b>
		Without panel seal	Male	<b>8380E0C191LM0A</b>
			Female	<b>8380E0C195LM0A</b>

\*: Connector delivered without contact

### Shell

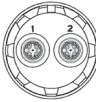
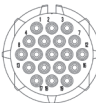


# 838 Series

## Shell size C

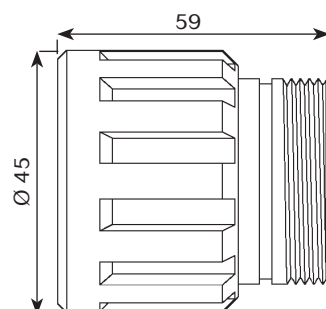


### Plug

Layout	Connector type	Specification	Contact type	Part number*
 C-02	Plug	Without clicker locking	Male	<b>8380F0C021LM0A</b>
			Female	<b>8380F0C025LM0A</b>
 C-19	Plug	With clicker locking	Male	<b>8380F1C191LM0A</b>
			Female	<b>8380F1C195LM0A</b>
		Without clicker locking	Male	<b>8380F0C191LM0A</b>
			Female	<b>8380F0C195LM0A</b>

\*: Connector delivered without contact

### Shell



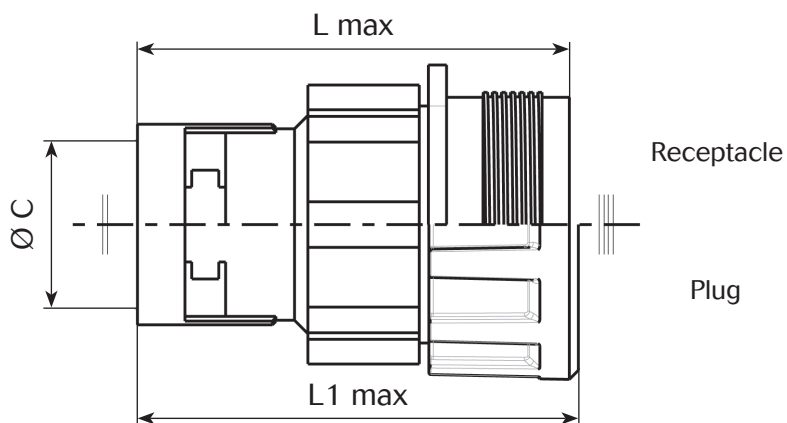


# 838 Series

## Shell size C

### Backshells

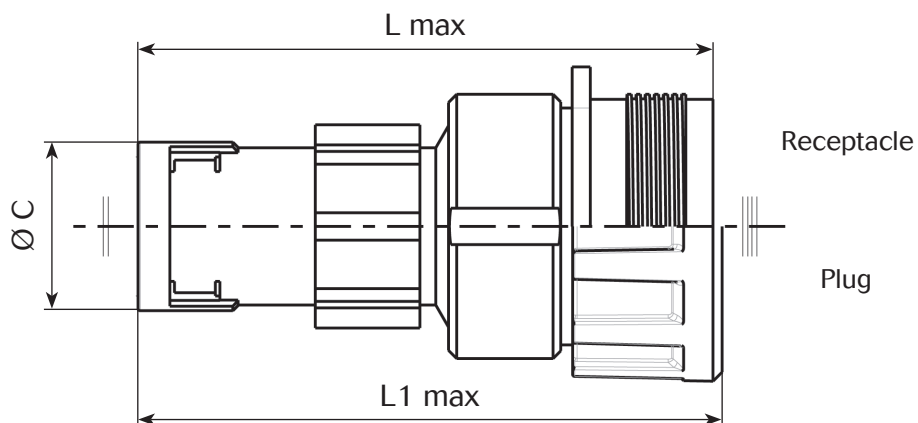
#### G type - Straight backshell for PMA



L	L1	Ø C (Cable)		PMA conduit	Part number	
		mini	maxi		Receptacle	Plug
119	120	-	17.7	NW12	8380E*C***G2A	8380F*C***G2A
131	133	-	30.5	NW23	8380E*C***G3A	8380F*C***G3A
125	127	-	23	NW17	8380E*C***G7A	8380F*C***G7A

\*: for coding see page 14

#### With adaptor



L	L1	Ø C (Cable)		PMA conduit	Part number	
		mini	maxi		Receptacle	Plug
99	101	-	37	NW29	8380E*C***G9A	8380F*C***G9A

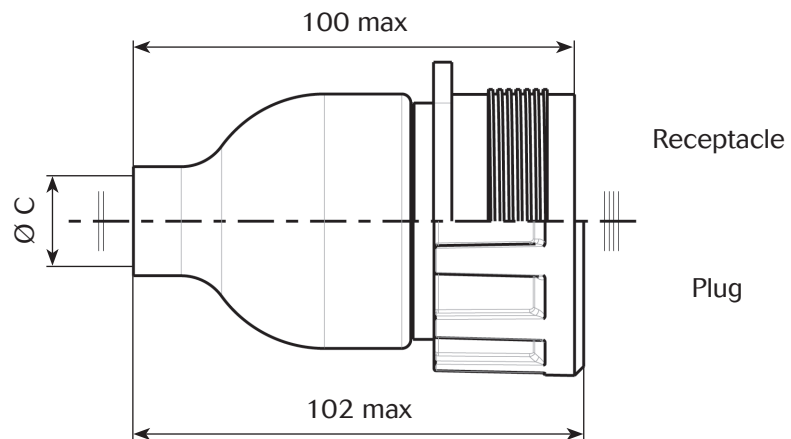
\*: for coding see page 14

Note: all dimensions are in mm

# 838 Series

## Shell size C

### N type - Boot



$\varnothing C$ (Cable)		Part number	
mini	maxi	Receptacle	Plug
-	20	<b>8380E*C***N0A</b>	<b>8380F*C***N0A</b>

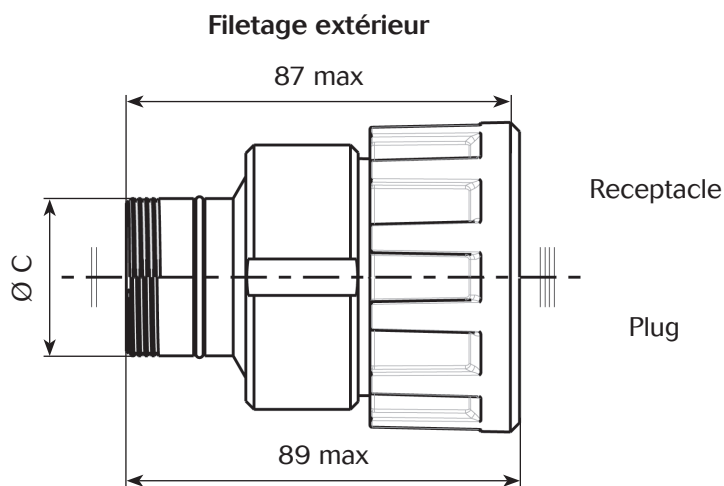
\*: for coding see page 14

# 838 Series

## Shell size C

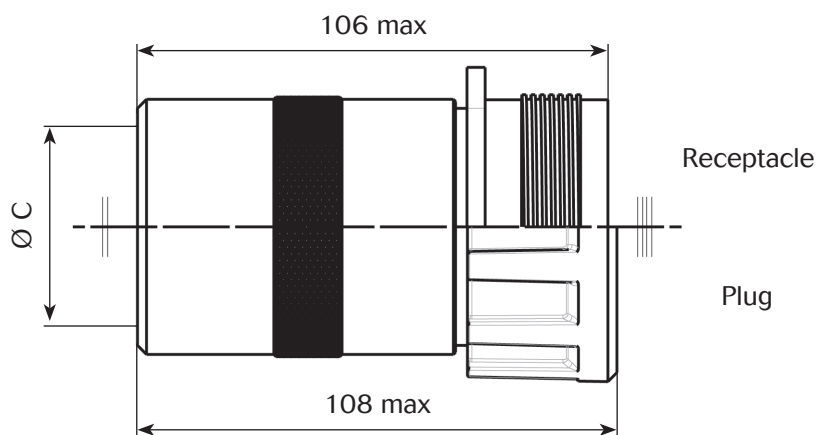
### Backshells

#### P type - Sortie filetage sans raccord



$\varnothing C$ PMA conduit	Part number	
	Receptacle	Plug
M35	8380E*C***P0A	8380F*C***P0A

\*: for coding see page 14



$\varnothing C$ PMA conduit	Part number	
	Receptacle	Plug
M32	8380E*C***P1A	8380F*C***P1A
M20	8380E*C***P4A	8380F*C***P4A
PG21	8380E*C***P12A	8380F*C***P12A
PG29	8380E*C***P13A	8380F*C***P13A

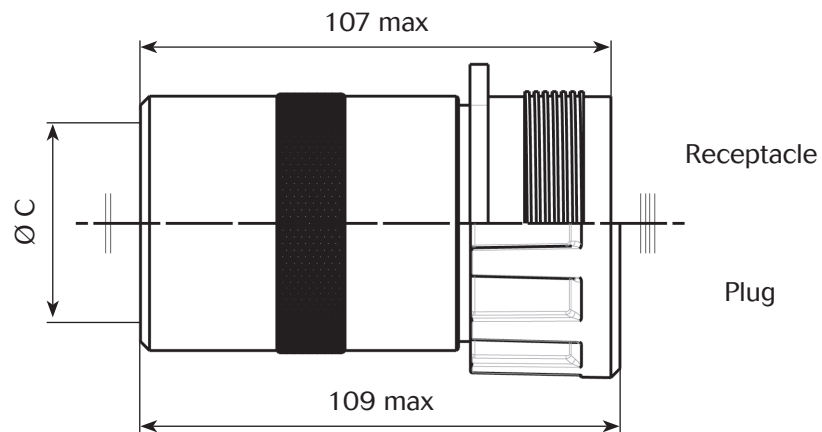
\*: for coding see page 14

Note: all dimensions are in mm

# 838 Series

## Shell size C

### PU type - Sortie filetage sans raccord avec reprise de tresse



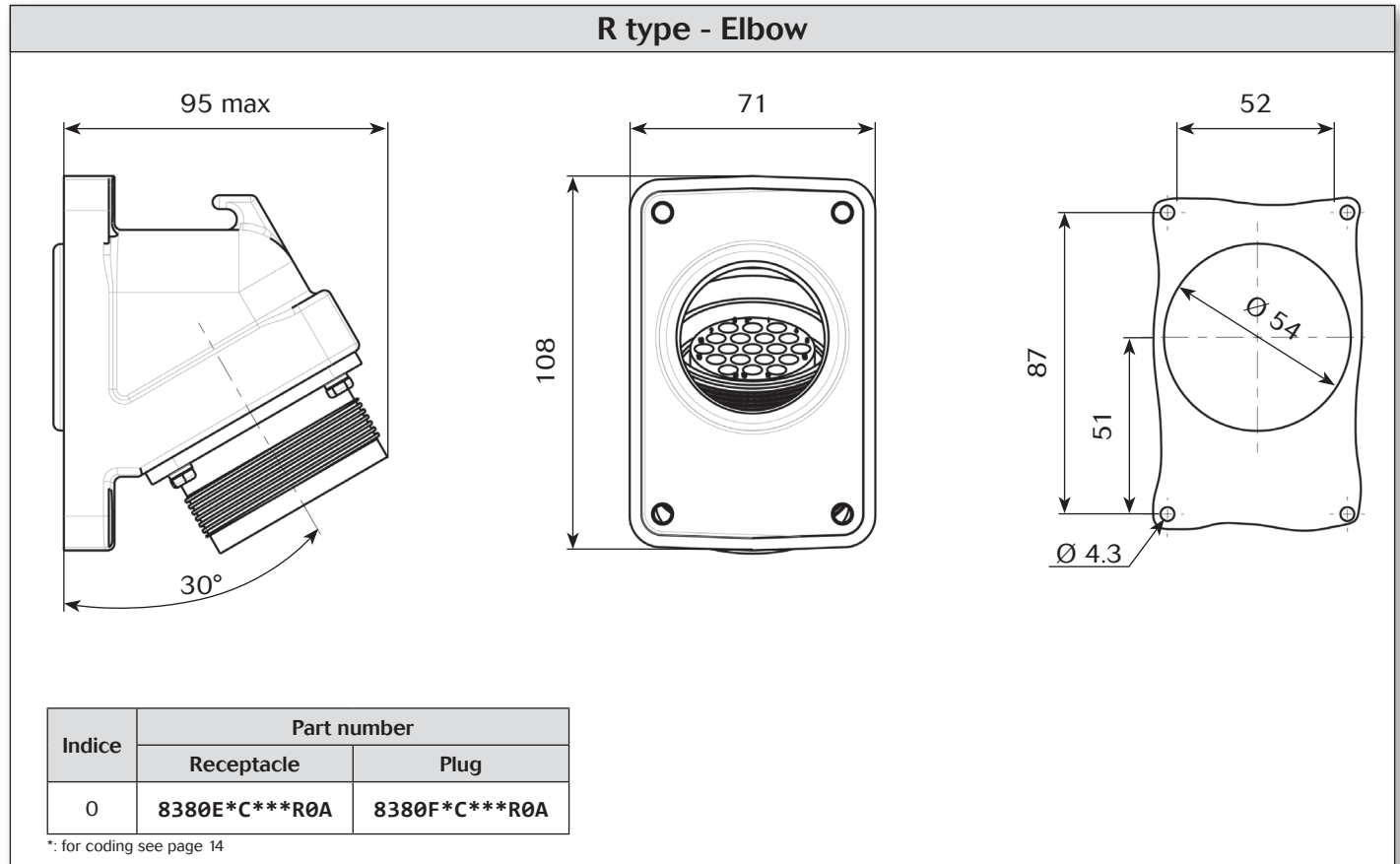
Ø C PMA conduit	Part number	
	Receptacle	Plug
PG21	<b>8380E*C***PU12A</b>	<b>8380F*C***PU12A</b>
PG29	<b>8380E*C***PU13A</b>	<b>8380F*C***PU13A</b>

\*: for coding see page 14

# 838 Series

## Shell size C

### Backshells

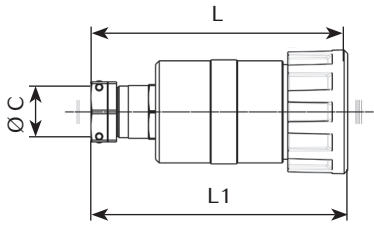
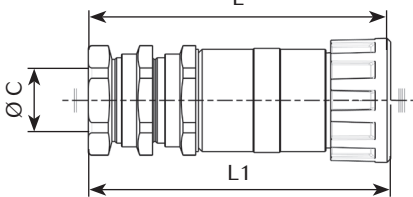
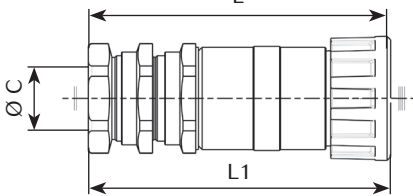
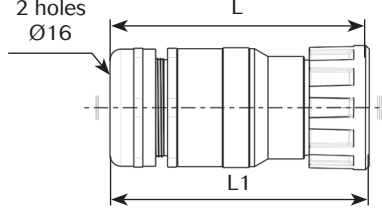
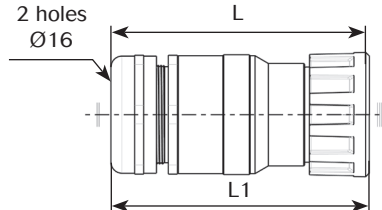


Note: all dimensions are in mm

# 838 Series

## Shell size C

### T type - Sealing gland

Terminaison type	L max	L1 max	Ø C (Cable)		Part number	
			mini	maxi	Receptacle	Plug
Adaptator + sealing gland + shielding 	141	143	12	19	<b>8380E*C***T2A</b>	<b>8380F*C***T2A</b>
Adaptator + sealing gland + shielding CM type à amarrage par cone ertalon 	165	167	25.5	30	<b>8380E*C***T64A</b>	<b>8380F*C***T64A</b>
Adaptator + sealing gland + shielding CM type à amarrage par cone ertalon avec gaine thermo de protection 	165	167	28.8	32	<b>8380E*C***T74A</b>	<b>8380F*C***T74A</b>
Adaptator + sealing gland + shielding 2 holes Ø16 	142	144	Ø16		<b>8380E*C***TA06A</b>	<b>8380F*C***TA06A</b>
Adaptator + sealing gland + garniture 851 & collier inox 2 holes Ø16 	142	144	Ø16		<b>8380E*C***TB06A</b>	<b>8380F*C***TB06A</b>

\*: for coding see page 14

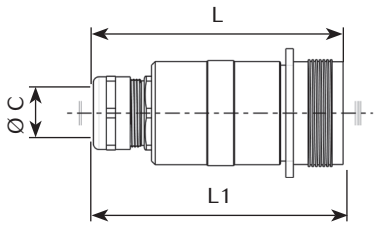
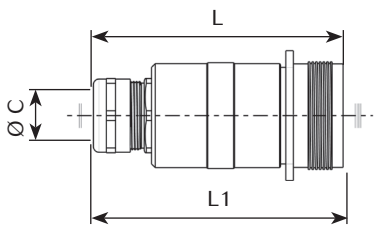
Note: all dimensions are in mm

# 838 Series

## Shell size C

### Backshells

#### U type - Sealing gland + shielding

Terminaison type	L max	L1 max	Ø C (Cable)		Part number	
			mini	maxi	Receptacle	Plug
Adaptator + shielding garniture haute  	130	132	7	14.5	<b>8380E*C***U21A</b>	<b>8380F*C***U21A</b>
Adaptator + sealing gland + shielding  	137	139	16	26	<b>8380E*C***U53A</b>	<b>8380F*C***U53A</b>
	140	142	22	34.5	<b>8380E*C***U54A</b>	<b>8380F*C***U54A</b>

\*: for coding see page 14

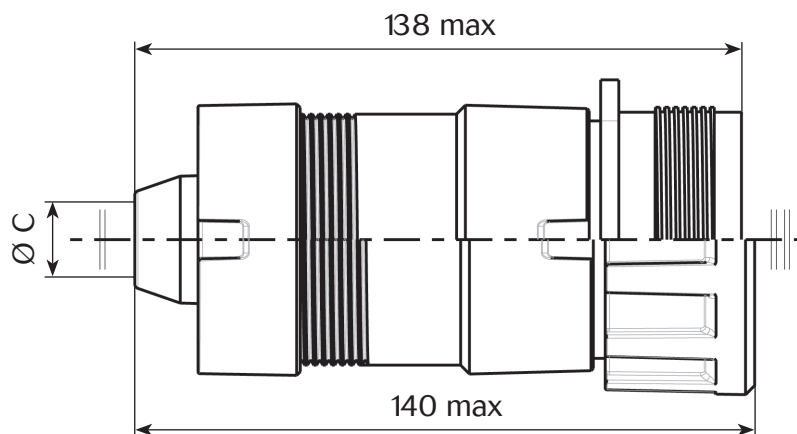
Note: all dimensions are in mm



# 838 Series

## Shell size C

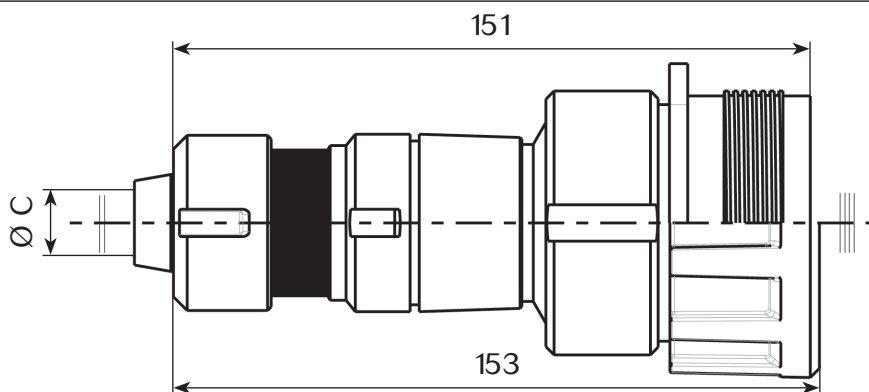
### V type - Sealing gland with ZA SIB-ADR "claw" and shielding



Ø C (Cable)		Part number	
mini	maxi	Receptacle	Plug
17	23	8380E*C***V0A	8380F*C***V0A
23	30	8380E*C***V1A	8380F*C***V1A

\*: for coding see page 14

### W type - Straight backshell with sealing gland and cable gland



Ø C (Cable)		Part number	
mini	maxi	Receptacle	Plug
14.5	17	8380E*C***W0A	8380F*C***W0A
10.1	13.3	8380E*C***W1A	8380F*C***W1A
8	9	8380E*C***W2A	8380F*C***W2A
6	9	8380E*C***W3A	8380F*C***W3A

\*: for coding see page 14

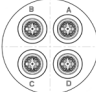

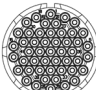
Note: all dimensions are in mm

# 838 Series

## Shell size J

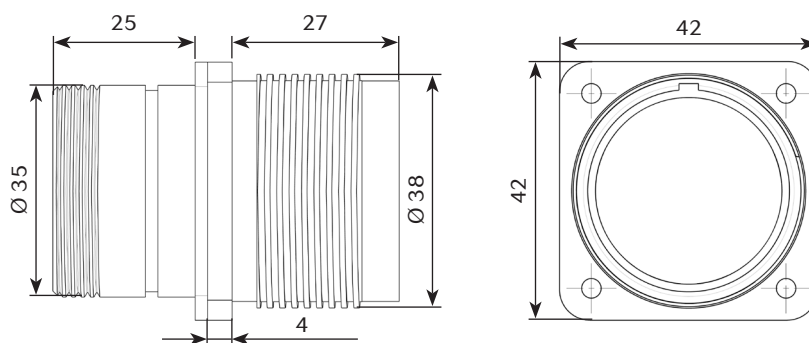


### Receptacle

Layout	Contact type	Specification	Contact type	Part number*
 J-04	4 Quadrax Ø1 mm	With panel gasket	Male	8380E1J041LM0A
			Female	8380E1J045LM0A
 J-06	3 Contacts Ø3 mm 3 Contacts Ø5 mm	With panel gasket	Male	8380E1J061LM0A
			Female	8380E1J065LM0A
		Without panel seal	Male	8380E0J061LM0A
			Female	8380E0J065LM0A
 J-49	49 Contacts Ø1.6 mm	With panel gasket	Male	8380E1J491LM0A
			Female	8380E1J495LM0A
		Without panel seal	Male	8380E0J491LM0A
			Female	8380E0J495LM0A

\*: Connector delivered without contact

### Shell

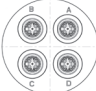

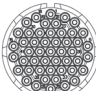


# 838 Series

## Shell size J

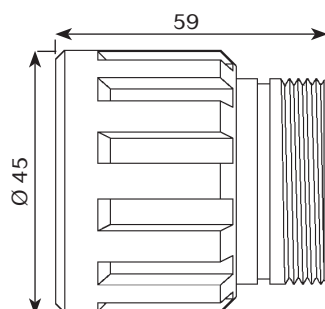


### Plug

Layout	Contact type	Specification	Contact type	Part number*
 J-04	4 Quadrax Ø1 mm	Without clicker locking	Male	8380F0J041LM0A
			Female	8380E1J045LM0A
 J-06	3 Contacts Ø3 mm 3 Contacts Ø5 mm	Without clicker locking	Male	8380E1J061LM0A
			Female	8380E1J065LM0A
 J-49	49 Contacts Ø1.6 mm	Without clicker locking	Male	8380F0J491LM0A
			Female	8380F0J495LM0A

\*: Connector delivered without contact

### Shell

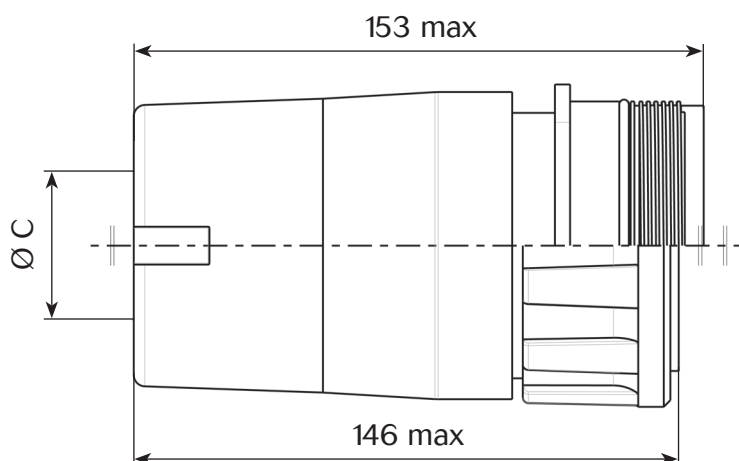


# 838 Series

## Shell size J

### Backshells

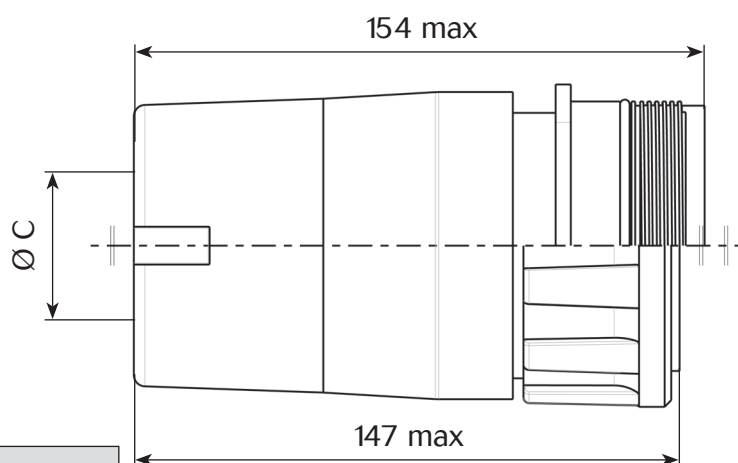
#### P type - Sortie filetage sans raccord



Ø C PMA conduit	Part number	
	Receptacle	Plug
M32	8380E*J***P1A	8380F*J***P1A

\*: for coding see page 14

#### PU type - Sortie filetage sans raccord avec reprise de tresse



Ø C PMA conduit	Part number	
	Receptacle	Plug
M32	8380E*J***PU1A	8380F*J***PU1A
PG29	8380E*J***PU13A	8380F*J***PU13A
PG36	8380E*J***PU14A	8380F*J***PU14A

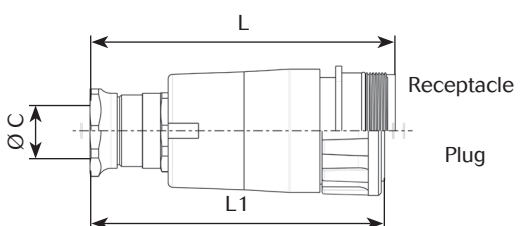
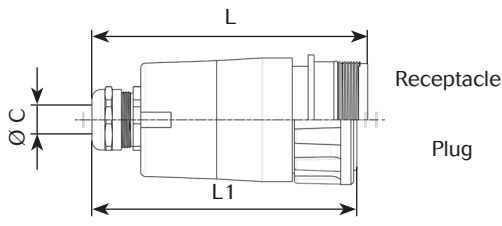
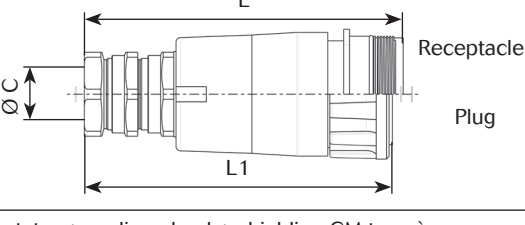
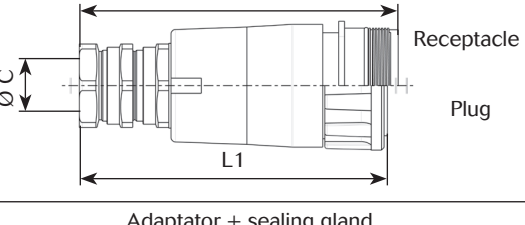
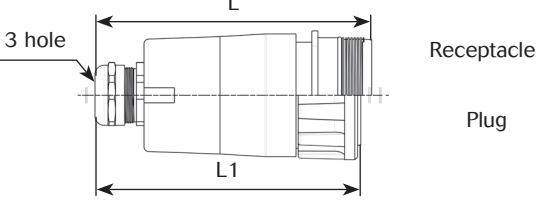
\*: for coding see page 14

Note: all dimensions are in mm

# 838 Series

## Shell size J

### T type - Sealing gland

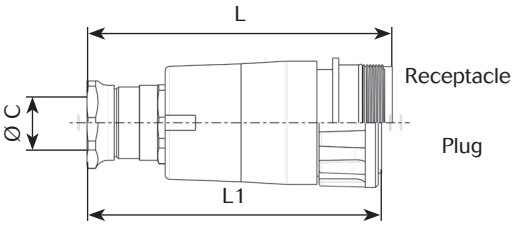
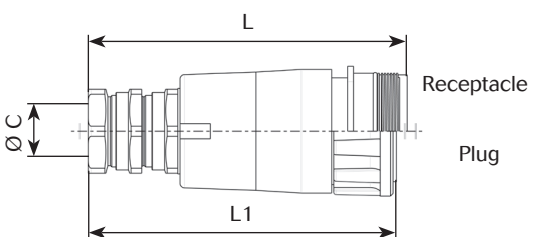
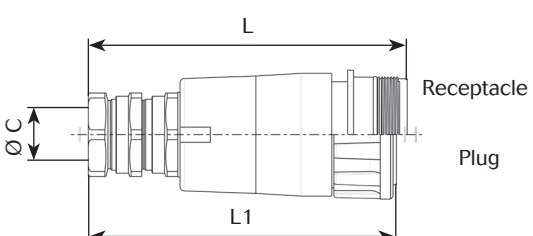
Terminaison type	L max	L1 max	Ø C (Cable)		Part number	
			mini	maxi	Receptacle	Plug
Adaptator + sealing gland + griffe 	204	197	22	30	<b>8380E*J***T14A</b>	<b>8380F*J***T14A</b>
	210	202	25	35	<b>8380E*J***T15A</b>	<b>8380F*J***T15A</b>
Adaptator + sealing gland garniture haute 	188	180	14	24	<b>8380E*J***T43A</b>	<b>8380F*J***T43A</b>
Adaptator + sealing gland + shielding CM type à amarrage par cone ertalon 	212	205	25.5	30	<b>8380E*J***T64A</b>	<b>8380F*J***T64A</b>
	212	205	23	27	<b>8380E*J***T64BA</b>	<b>8380F*J***T64BA</b>
Adaptator + sealing gland + shielding CM type à amarrage par cone ertalon avec gaine thermo de protection 	212	205	25.5	30	<b>8380E*J***T74A</b>	<b>8380F*J***T74A</b>
	212	205	23	28	<b>8380E*J***T74BA</b>	<b>8380F*J***T74BA</b>
Adaptator + sealing gland 3 hole 	181	174	5.8	9.5	<b>8380E*J***TA01A</b>	<b>8380F*J***TA01A</b>

\*: for coding see page 14

# 838 Series

## Shell size J

### Backshells

U type - Sealing gland & shielding						
Terminaison type	L max	L1 max	Ø C (Cable)		Part number	
			mini	maxi	Receptacle	Plug
Adaptator + sealing gland +griffe 	205	199	22	30	<b>8380E*J***U14A</b>	<b>8380F*J***U14A</b>
	215	208	32	40	<b>8380E*J***U16A</b>	<b>8380F*J***U16A</b>
Adaptator + sealing gland + shielding CM type à amarrage par cone ertalon 	215	209	30	35	<b>8380E*E***U65A</b>	<b>8380F*E***U65A</b>
Adaptator + sealing gland + shielding CM type à amarrage par cone ertalon avec gaine thermo de protection 	215	209	29	36	<b>8380E*E***U75A</b>	<b>8380F*E***U75A</b>

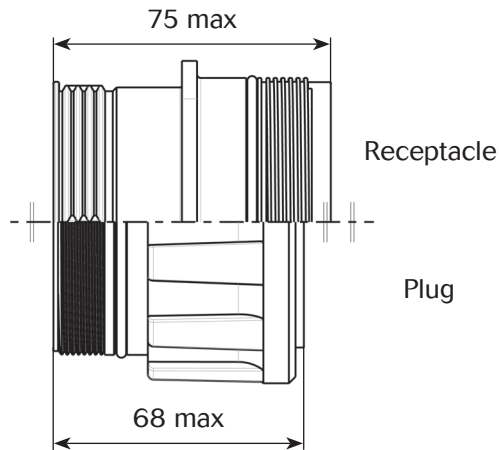
\*: for coding see page 14

Note: all dimensions are in mm

# 838 Series

## Shell size J

### Z type - Straight backshell for shielding termination



PMA conduit	Part number	
	Receptacle	Plug
M32	<b>8380E*J***Z0A</b>	<b>8380F*J***Z0A</b>

\*: for coding see page 14



# 838 Series

## Shell size B



### Receptacle

Layout	Détrompage	Specification	Contact type	Part number*
 B-04	With	With panel gasket	Male	8380E1B041LM0A
			Female	8380E1B045LM0A
		Without panel seal	Male	8380E0B041LM0A
			Female	8380E0B045LM0A
	Without	With panel gasket	Male	8382E1B041LM0A
			Female	8382E1B045LM0A
Without panel seal		Male	8382E0B041LM0A	
		Female	8382E0B045LM0A	
 B-37	With	With panel gasket	Male	8380E1B371LM0A
			Female	8380E1B375LM0A
		Without panel seal	Male	8380E0B371LM0A
			Female	8380E0B375LM0A
	Without	With panel gasket	Male	8382E1B371LM0A
			Female	8382E1B375LM0A
		Without panel seal	Male	8382E0B371LM0A
			Female	8382E0B375LM0A
 B-44	With	With panel gasket	Male	8380E1B451LM0A
			Female	8380E1B455LM0A
		Without panel seal	Male	8380E0B451LM0A
			Female	8380E0B455LM0A
	Without	With panel gasket	Male	8382E1B451LM0A
			Female	8382E1B455LM0A
		Without panel seal	Male	8382E0B451LM0A
			Female	8382E0B455LM0A



\*: Connector delivered without contact

# 838 Series

## Shell size B

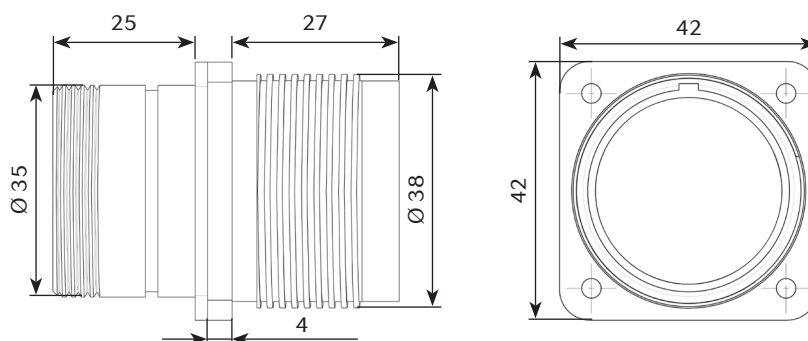


### Receptacle

Layout	Détrompage	Specification	Contact type	Part number*
 B-61	With	With panel gasket	Male	8380E1B611LM0A
			Female	8380E1B615LM0A
		Without panel seal	Male	8380E0B611LM0A
			Female	8380E0B615LM0A
	Without	With panel gasket	Male	8382E1B611LM0A
			Female	8382E1B615LM0A
Without panel seal	Male	8382E0B611LM0A		
	Female	8382E0B615LM0A		
 B-4A8	-	With panel gasket	Male	8380E1B4A81LM0A
			Female	8380E1B4A85LM0A

\*: Connector delivered without contact

### Shell


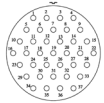



# 838 Series

## Shell size B



### Plug

Layout	Détrompage	Specification	Contact type	Part number*
 B-04	With	Without clicker locking	Male	<b>8380F0B041LM0A</b>
			Female	<b>8380F0B045LM0A</b>
	Without	Without clicker locking	Male	<b>8382F0B041LM0A</b>
			Female	<b>8382F0B045LM0A</b>
 B-37	With	Without clicker locking	Male	<b>8380F0B371LM0A</b>
			Female	<b>8380F0B375LM0A</b>
	Without	Without clicker locking	Male	<b>8382F0B371LM0A</b>
			Female	<b>8382F0B375LM0A</b>
 B-44	With	With panel gasket	Male	<b>8380F0B451LM0A</b>
			Female	<b>8380F0B455LM0A</b>
	Without	With panel gasket	Male	<b>8382F0B451LM0A</b>
			Female	<b>8382F0B455LM0A</b>



\*: Connector delivered without contact

# 838 Series

## Shell size B

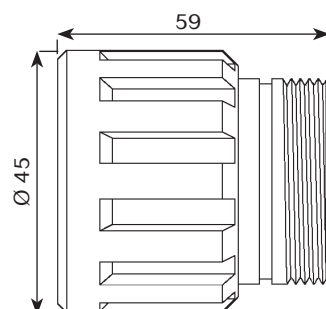


### Plug

Layout	Détrompage	Specification	Contact type	Part number*
 B-61	With	Without clicker locking	Male	<b>8380F0B611LM0A</b>
			Female	<b>8380F0B615LM0A</b>
	Without	Without clicker locking	Male	<b>8382F0B611LM0A</b>
			Female	<b>8382F0B615LM0A</b>
 B-4A8	-	Without clicker locking	Male	<b>8380F0B4A81LM0A</b>
			Female	<b>8380F0B4A85LM0A</b>

\*: Connector delivered without contact

### Shell

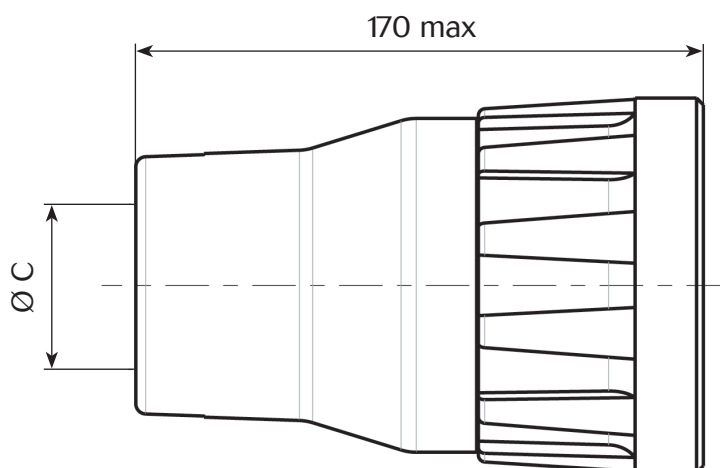


# 838 Series

## Shell size B

### Backshells

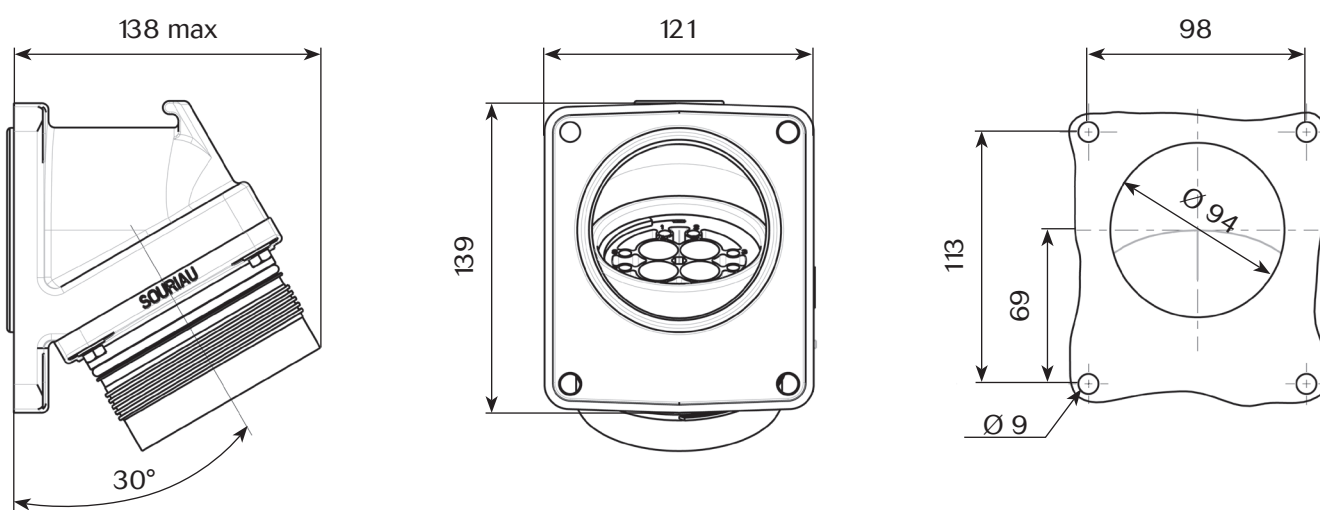
#### P type - Sortie filetage sans raccord



PMA conduit	Part number	
	Receptacle	Plug
PG29	8380E*B***P13A	8380F*B***P13A
PG36	8380E*B***P14A	8380F*B***P14A

\*: for coding see page 14

#### R type - Elbow



Indice	Part number	
	Receptacle	Plug
0	8380E*B***R0A	8380F*B***R0A

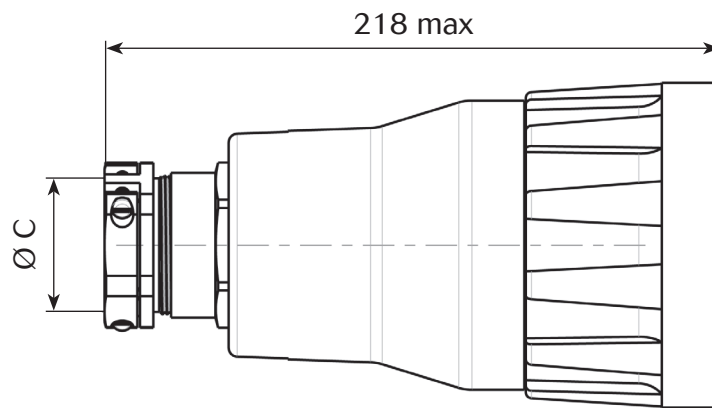
\*: for coding see page 14

Note: all dimensions are in mm

# 838 Series

## Shell size B

### U type - Sealing gland + shielding



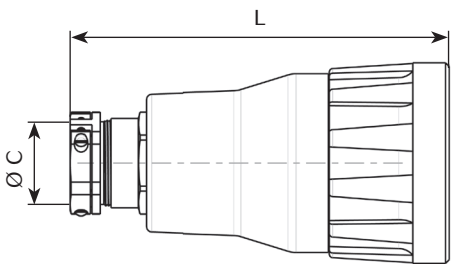
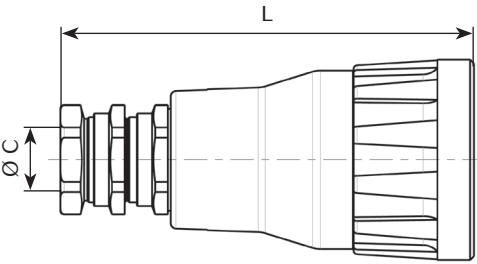
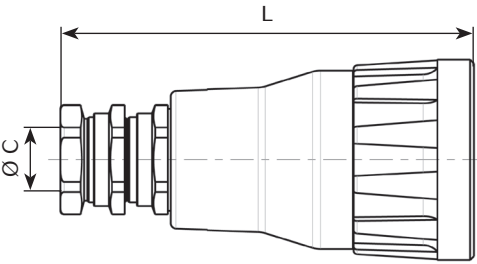
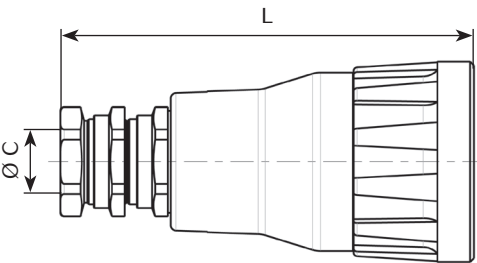
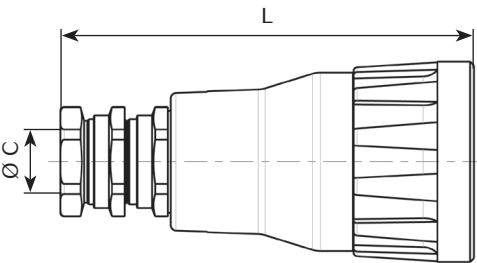
PMA conduit	Part number	
	Receptacle	Plug
PG36	<b>8380E*B***U4A</b>	<b>8380F*B***U4A</b>

\*: for coding see page 14

# 838 Series

## Shell size B

### Backshells

T type - Sealing gland						
Terminaison type	L max	PMA conduit	Ø C (Cable)		Part number	
			mini	maxi	Receptacle	Plug
Adaptator + sealing gland + shielding 	214	PG36	24	33	<b>8380E*B***T4A</b>	<b>8380F*B***T4A</b>
Adaptator + sealing gland + shielding CM type à amarrage par cone ertalon 	229	PG36	25.5	30	<b>8380E*B***T64A</b>	<b>8380F*B***T64A</b>
Adaptator + sealing gland + shielding CM type à amarrage par cone ertalon 	232	PG42	31	36	<b>8380E*B***T65A</b>	<b>8380F*B***T65A</b>
	251	PG48	38	43.5	<b>8380E*B***T66A</b>	<b>8380F*B***T66A</b>
Adaptator + sealing gland + shielding CM type à amarrage par cone ertalon avec gaine thermo de protection 	229	PG36	28.8	32	<b>8380E*B***T74A</b>	<b>8380F*B***T74A</b>
Adaptator + sealing gland + shielding CM type à amarrage par cone ertalon avec gaine thermo de protection 	232	PG42	31	36	<b>8380E*B***T75A</b>	<b>8380F*B***T75A</b>

\*: for coding see page 14

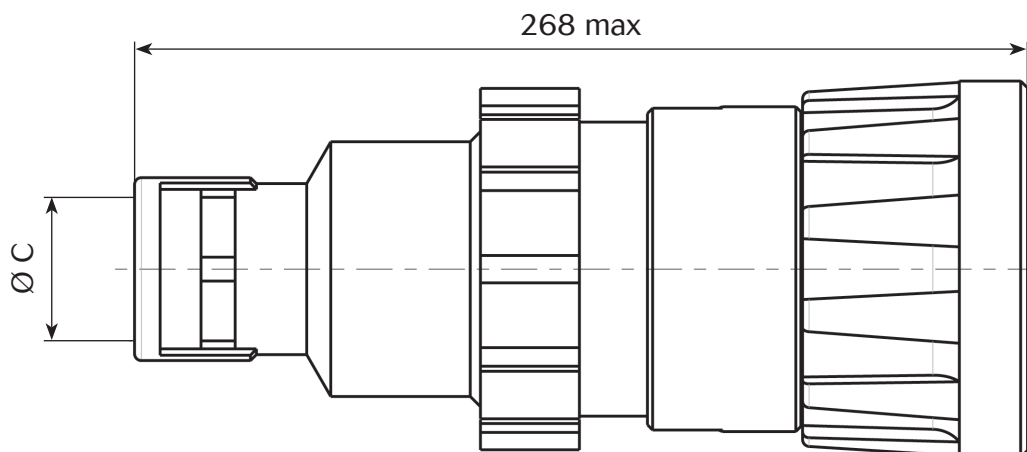
Note: all dimensions are in mm



# 838 Series

## Shell size B

### V type - Sealing gland with ZA SIB-ADR "claw" and shielding



PMA conduit	Ø C (Cable)		Part number	
	mini	maxi	Receptacle	Plug
NW36	22	32	<b>8380E*B***V2A</b>	<b>8380F*B***V2A</b>
NW36	18	25	<b>8380E*B***V3A</b>	<b>8380F*B***V3A</b>

\*: for coding see page 14

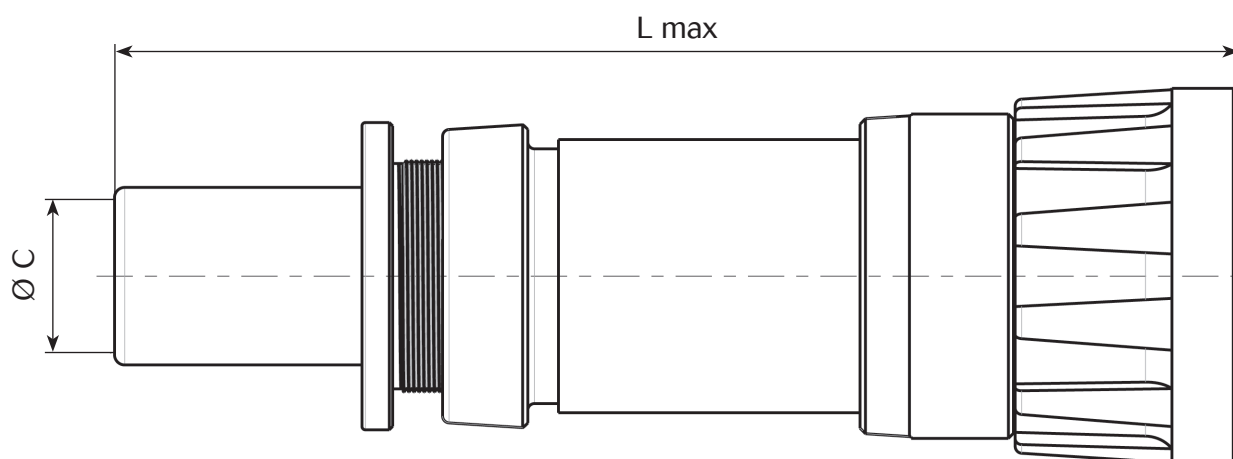
# 838 Series

## Shell size B

### Backshells

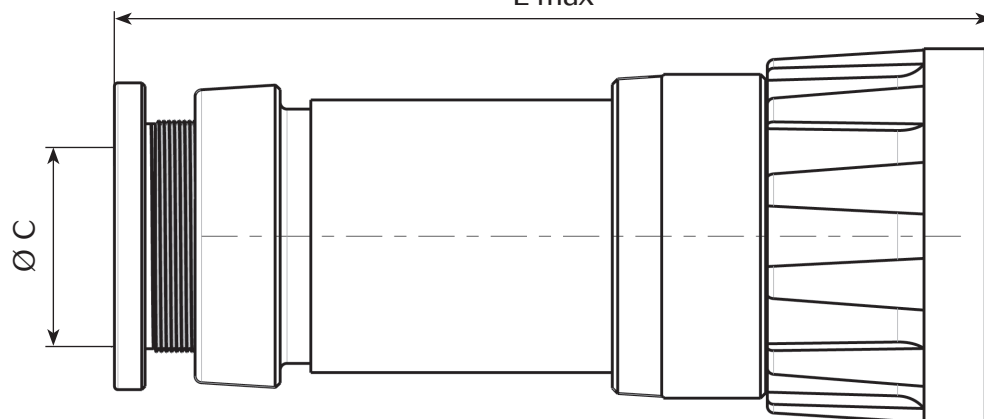
#### W type - Straight backshell with sealing gland and cable gland

Indice 0, 1 & 3



Indice 2

L max



I max.	Ø C (Cable)		Part number	
	mini	maxi	Receptacle	Plug
335	36.6	44.8	8380E*B***W0A	8380F*B***W0A
335	32	38	8380E*B***W1A	8380F*B***W1A
335	28	32	8380E*B***W3A	8380F*B***W3A
262	44.8	48.5	8380E*B***W2A	8380F*B***W2A

\*: for coding see page 14

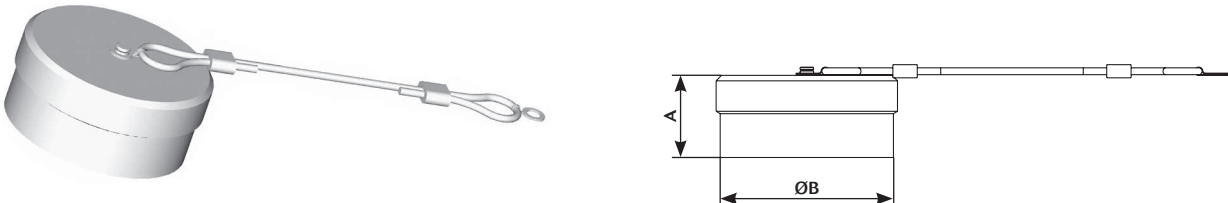
Note: all dimensions are in mm

# 838 Series

## Shell size B

### Cap for receptacle

**Part number & dimensions**

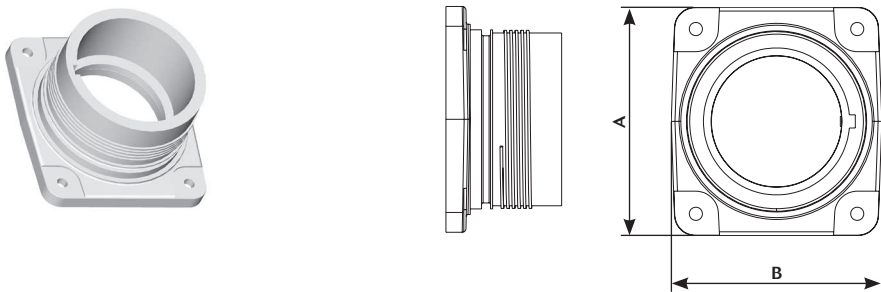


Shell size	A	ØB	Part numbers
E	35	45	<b>8038-0141A</b>
C	33	68	<b>8038-0140</b>
J	*	*	*
B	53	110	<b>8338-777</b>

\*: Consult us

### Dummy receptacle

**Part number & dimensions**



Shell size	A	B	Part numbers
E	42	42	<b>8038-0133</b>
C	70	70	<b>8038-0131</b>
J	*	*	*
B	121	110	<b>8380-983</b>

\*: Consult us

Note: all dimensions are in mm

838 series



838 Series

# Contacts

■ Machined crimp contact .....	56
■ Twinax contact .....	57
■ Quafrax contact .....	58



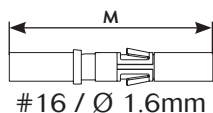
# 838 Series

## Contacts

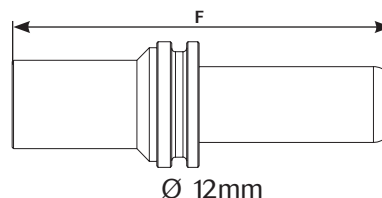
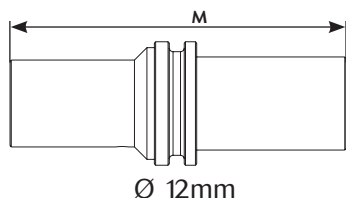
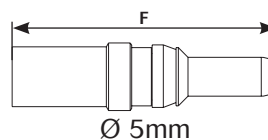
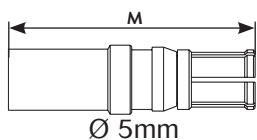
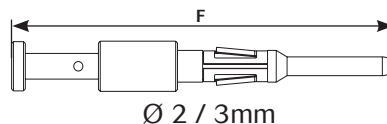
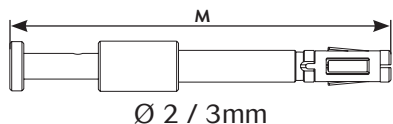
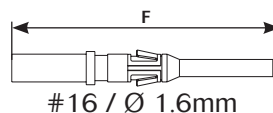
### Machined crimp contact

#### Part number & dimensions

Male contact



Female contact



Active part Ø	Contact type	Wire size mm <sup>2</sup>	Plating	Part numbers		Insulator Ø	Contact length	
				Male	Female		Male (M)	Female (F)
16	T	0.52 - 1.5	Gold	RM16M23K	RC16M23K	1.2 - 3	26.2	18.2
2	B	-	Silver	8380-722	8380-725	0.6 - 1.5	42	41
2	B1	-	Gold	8380-726	8380-727	0.5 - 1.5	42	41
2	H	-	Silver	8380-970	8380-973	1.34 - 2.61	42	41
3	F	-	Silver	8380-716	8380-719	1.34 - 2.61	45	41
3	F1	-	Gold	8380-717	8380-723	1.34 - 2.61	45	41
3	E	-	Silver	8380-1365	8380-1366	4 - 4.78	45	41
3	E1	-	Gold	8380-730	8380-731	4 - 4.78	45	41
5	G	-	Silver	8380-728	8380-729	10	34.5	31
12	J	-	Silver	8380-1020A	8380-1021A	50	61	54

Note: all dimensions are in mm

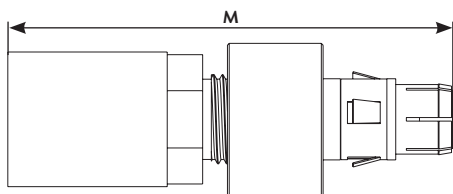
# 838 Series

## Contacts

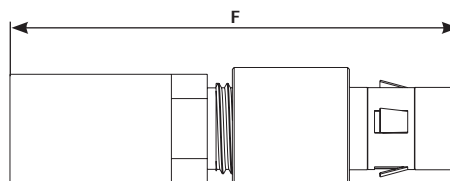
### Twinax contact

#### Part number & dimensions

Male contact



Female contact



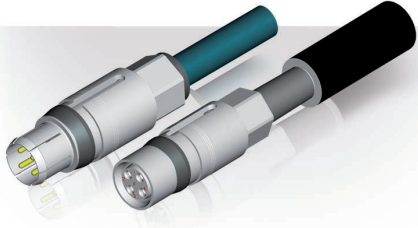
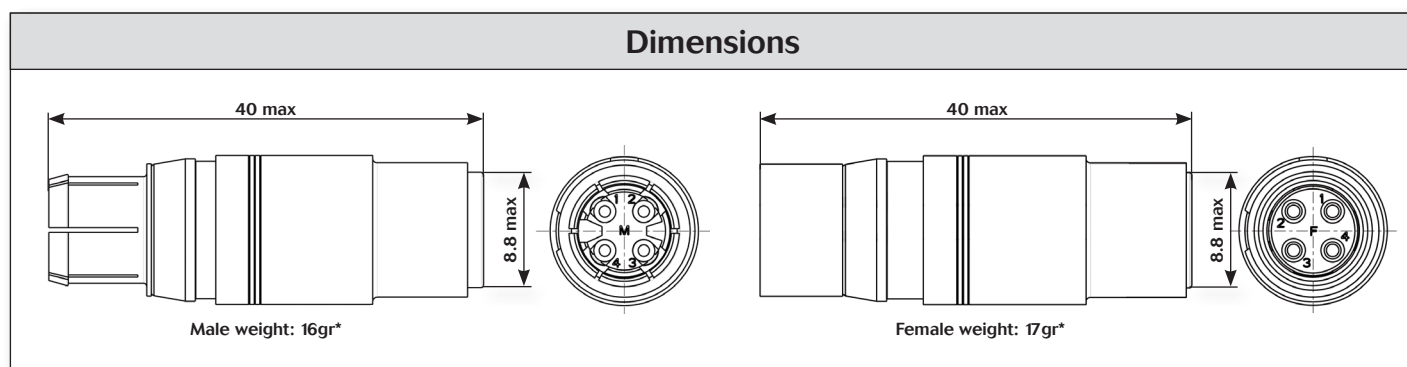
Active part Ø	Contact type	Wire size mm <sup>2</sup>	Plating	Part numbers		Insulator Ø	Contact length	
				Male	Female		Male (M)	Female (F)
105 Ω Layout 45	-	-	Gold Silver	<b>8380-951</b>	<b>8380-950</b>	0.2 - 0.6 (250BLG)	-	-
120 Ω Layout 45	U	-	Gold Silver	<b>8380-994</b>	<b>8380-995</b>	0.2 - 0.6 Rockbest05 2/C AWG20	50	50
120 Ω Layout 01	S	-	Gold contact Silver body	<b>8380-1009</b>	<b>8380-1010</b> <b>8380-1012</b>	0.2 - 06	50	50

# 838 Series

## Contacts

### Quadrax contact

Part number					
Line wire size		Cell plating	Part numbers		Max line wire insulator Ø
AWG	mm <sup>2</sup>		Male	Female	
24-18	0.21-0.93	Silver	83802035A	83802034A	1.2-2.11 mm

Note: all dimensions are in mm



# 838 Series

## Contacts

838 series



838 Series

# Accessories

■ Tooling.....	66
■ Contact crimping instruction.....	68
■	
■	



# 838 Series Contacts

## Contact crimp tooling

Tooling						
				 <p>MH860 or M22520/7-01</p> <p>MH86164G</p>		
				 <p>M22520/1-01 or AF8</p>		
				 <p>8380-15</p> <p>8380-27/28</p>		
				 <p>8380-27</p> <p>M317</p>		

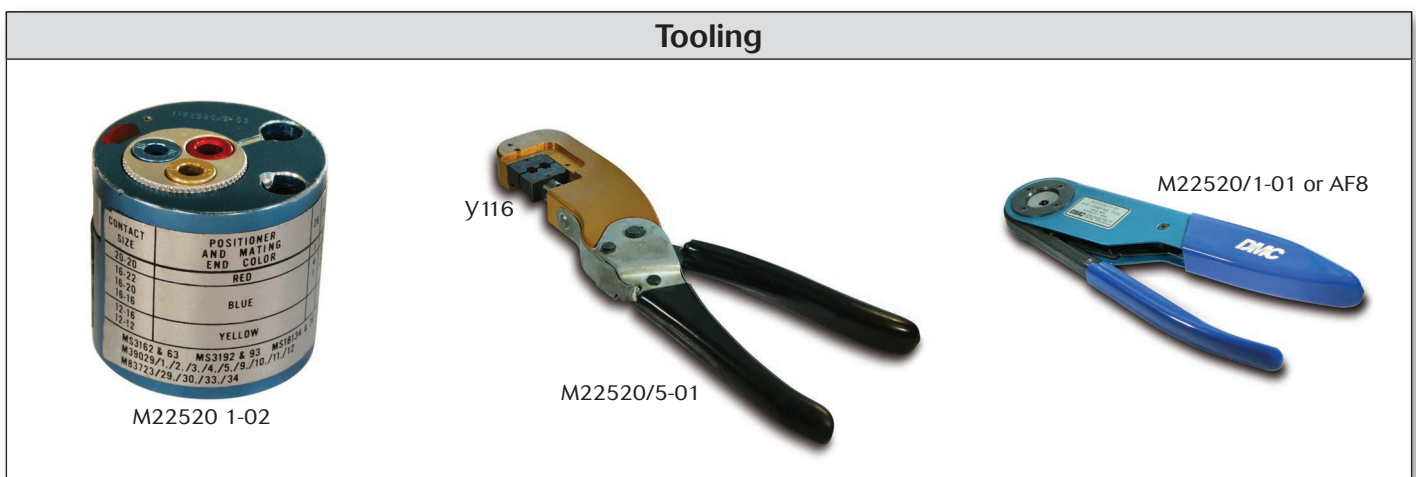
Active part Ø	Contact type	Plating	Contacts part numbers		Crimping tool	Locator
			Male	Female		
16	T	Gold	RM16M23K	RC16M23K	MH860 M22520/07-01	MH86164G
2	B	Silver	8380-722	8380-725	8380-15	8380-28
2	B1	Gold	8380-726	8380-727	8380-15	8380-28
2	H	Silver	8380-970	8380-973	8380-15	8380-28
3	F	Silver	8380-716	8380-719	8380-15	8380-27
3	F1	Gold	8380-717	8380-723	8380-15	8380-27
3	E	Silver	8380-1365	8380-1366	M317	8380-27
3	E1	Gold	8380-730	8380-731	M317	8380-27
5	G	Silver	8380-728	8380-729	Mecatraction PMM1	D5HCU 10-50
12	J	Silver	8380-1020A	8380-1021A	Mecatraction TR461R	Mecatraction TN50-460

# 838 Series Contacts

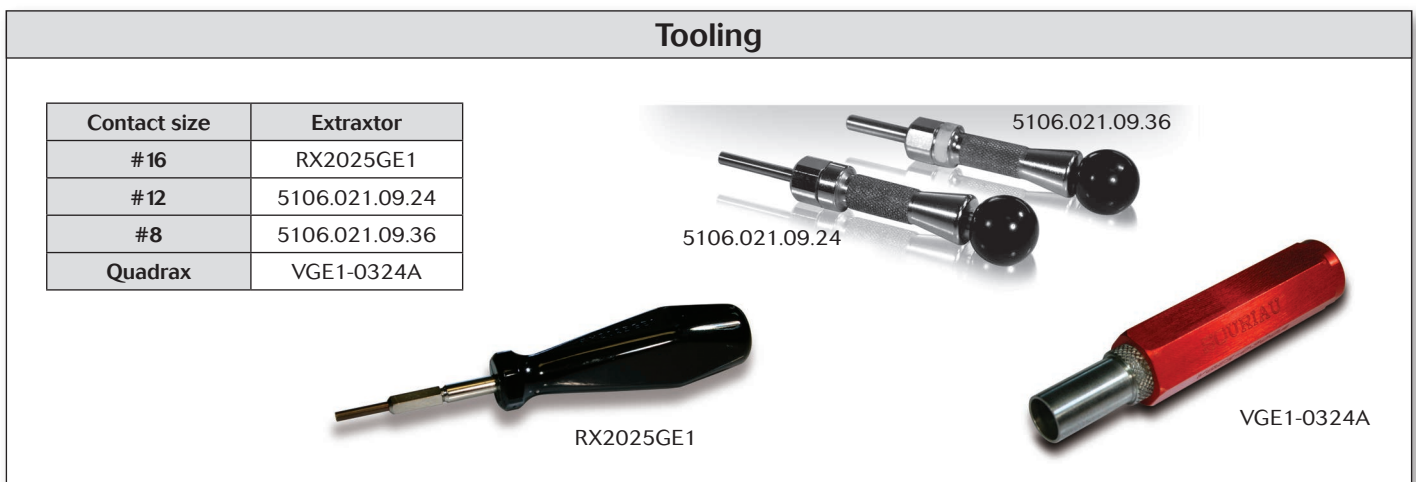
## Contact Twinax tooling

Tooling								
Active part Ø	Contact type	Plating	Contacts part numbers		Crimping tool		Locator	
			Male	Female	For contact	For ferrule	For contact	For ferrule
105 Ω Layout 45	-	Gold Silver	8380-951	8380-950	M22520/2.01	M22520/5.01	M22520//2.08	y116
120 Ω Layout 45	U	Gold Silver	8380-994	8380-995				
120 Ω Layout 01	S	Gold contact Silver body	8380-1009	8380-1010 8380-1012				

## Contact Quadrax tooling




## Contact removal



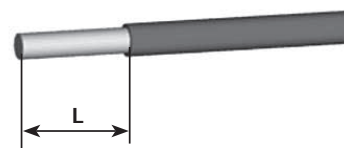
# 838 Series Contacts

## Pin wrench

Tooling				
	Shell	On wrench part numbers	Coupling torque (daN.m)	
			Mini	Maxi
	E	8380-216	0.4	1
	C	8380-216	0.6	1.5
	J	8380-216	0.6	1.5
B	8380-213	0.7	2	

## Contact crimping instruction

Wire stripping				
Active part Ø	Contact type	Part numbers		Stripping length (L)
		Male	Female	
<b>Machined</b>				
16	T	RM16M23K	RC16M23K	4.8
2	B	8380-722	8380-725	?
2	B1	8380-726	8380-727	
2	H	8380-970	8380-973	
3	F	8380-716	8380-719	?
3	F1	8380-717	8380-723	
3	E	8380-1365	8380-1366	
3	E1	8380-730	8380-731	
5	G	8380-728	8380-729	?
12	J	8380-1020A	8380-1021A	?
<b>Twinax</b>				
105 Ω Layout 45	-	8380-951	8380-950	?
120 Ω Layout 45	U	8380-994	8380-995	?
120 Ω Layout 01	S	8380-1009	8380-1010 8380-1012	?
<b>Quadrax</b>				
-	-	83802035A	83802034A	?



Note: all dimensions are in mm

# 838 Series

## Contacts

**SOURIAU**  
[www.railway-connector.com](http://www.railway-connector.com)

[contactindustry@souriau.com](mailto:contactindustry@souriau.com)