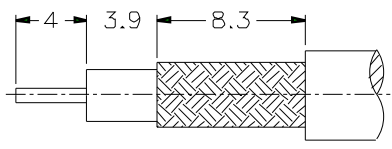
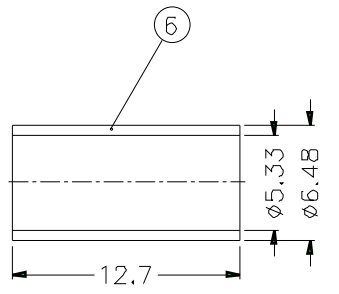
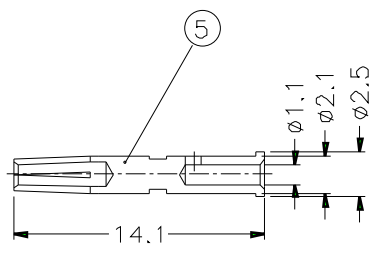
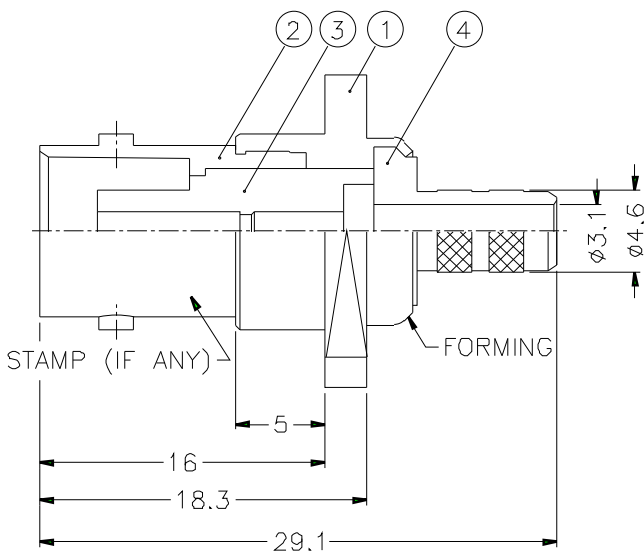
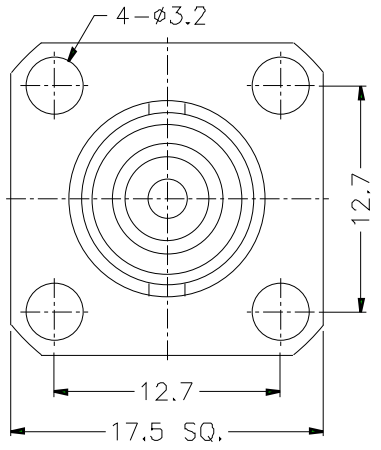


1		2		3		4		5		6		7		8	
REVISIONS															
ISS	ZONE	DESCRIPTION\PER REQUEST\DATE													



RECOMMENDED
CABLE STRIPPING DIM'S



NOTES: FINISH (PLATING THICKNESS IN MICRO-INCHES)
 1. BRASS PER QQ-B-626
 2. NICKEL PL. 100 MIN. THICK OVER COPPER STRIKE
 3. PHOSPHOR BRONZE PER QQ-B-750
 4. GOLD PL. 3 MIN. THICK OVER NICKEL PL. 100 MIN. THICK OVER COPPER STRIKE
 5. TEFLON MIL-P-19468

- 1. CRIMPED FERRULE
HEX CRIMP SIZE .213"
- 2. CRIMPED CONTACT PIN
HEX CRIMP SIZE .068"

DIMENSIONS ARE IN MILLIMETERS						PART NO. B6521A1-NT3G-1-50		<h1>Amphenol</h1>				
UNLESS OTHERWISE SPECIFIED TOLERANCES						APPROVED DATE 10-11-01'						TITLE BNC PANEL CRIMP JACK
6	FERRULE	COPPER	NOTE 2	1	FR-648/533X 127C	0.5-6 = ±0.2	CHECKED DATE 10-11-01'		DRAWING NO. KJ-B6521A1-NT3G-58CU-50			
5	CONTACT PIN	NOTE 3	NOTE 4	1	B74000-8-25/11	6-30 = ±0.4	DRAWN DATE 10-11-01'		ITEM NO.			
4	BARREL	NOTE 1	NOTE 2	1	B50900-6-46/31	30-120 = ±0.6						
3	INSULATOR	NOTE 5	NATURAL	1	B74000-3T-50	120-315 = ±1						
2	BODY	NOTE 1	NOTE 2	1	B74000-2	315-1000 = ±1.6						
1	HOUSING	NOTE 1	NOTE 2	1	B75000-1	1000-2000 = ±2.4						
NO.	DESCRIPTION	MATERIAL	FINISH	Q'TY	DRAWING NO.	SCALE 2.5/1	ISSUE	A	FILE NO.			

1	2	3	4	5	6	7	8
---	---	---	---	---	---	---	---