

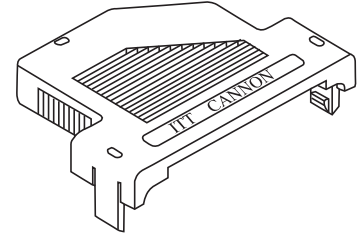
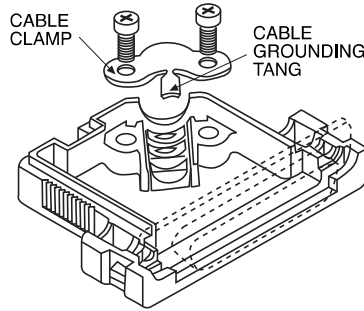
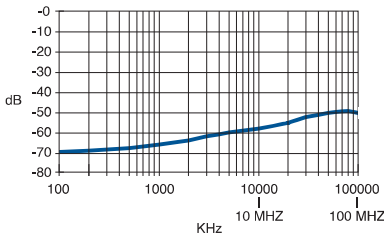
Snap-Together Metalized Plastic

Metalized plastic backshells reduce EMI/RFI emissions. Metalized plastic provides a light weight solution. Design includes integral strain relieving cable

Product Features

- Improves conformance to FCC DOC #20780 shielding requirements
- No crimp ferrule tooling needed
- Quick and simple assembly using snap-

Attenuation



Note: Cable grounding tang not available on DE size back-

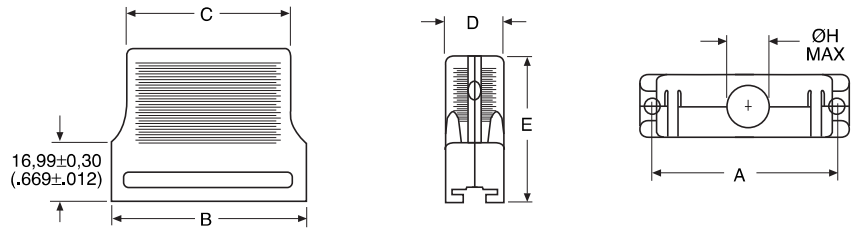
Specifications

Attenuation:	-49 dB @ 100MHz
Temperature Range:	-20° C to 80° C

Materials and Finishes

Material:	Thermoplastic, UL 94V-0 rated
Finish:	Nickel over Copper

Straight Exit

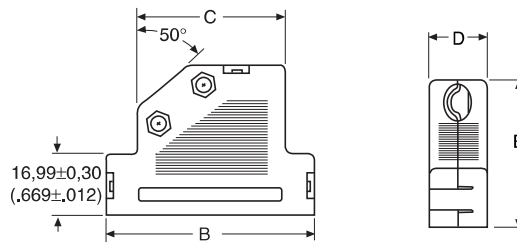


- Kit consists of 1 front shell, 1 rear shell, 1 cable clamp, 2 screws
- Optional locking hardware sold separately, see page 5

Shell Size	Layout	Shielded Part #	Non-Shielded Part # Gray *	A ±0,15 (.006)	B ±0,30 (.012)	C ±0,30 (.012)	D ±0,30 (.120)	E ±0,20 (.008)	Max.
DE	9	DE121073-154	DE121073-159	24,95 (.982)	30,81 (1,213)	23,70 (.933)	16,00 (.630)	35,99 (1,417)	7,32 (.288)
DA	15	DA121073-150	DA121073-155	33,30 (1,311)	39,09 (1,539)	31,80 (1,252)	16,00 (.630)	42,00 (1,654)	8,31 (.327)
DB	25	DB121073-151	DB121073-156	47,00 (1,850)	53,01 (2,087)	45,01 (1,772)	16,00 (.630)	42,00 (1,654)	10,52 (.414)
DC	37	DC121073-152	DC121073-157	63,45 (2,498)	69,29 (2,728)	60,30 (2,374)	16,00 (.630)	42,00 (1,654)	12,32 (.485)
DD	50	DD121073-153	DD121073-158	61,10 (2,410)	66,90 (2,634)	58,30 (2,295)	19,00 (.748)	42,00 (1,654)	13,00 (.512)

* Color Black available by request, please contact Customer Service.

50° Exit



- Kit consists of 1 front shell, 1 rear shell, 1 cable clamp, 2 screws
- Optional locking hardware sold separately, see page 5

Shell Size	Layout	Shielded Part #	Non-Shielded Part # Gray *	B ±0,30 (.012)	C ±0,30 (.012)	D ±0,30 (.012)	E ±0,20 (.008)	Cable Diameter	
								Min.	Max.
DE	9	DE121073-54	DE121073-59	35,99 (1,417)	22,00 (8,66)	16,00 (.630)	35,99 (1,417)	3,51 (.138)	7,49 (.295)
DA	15	DA121073-50	DA121073-55	44,29 (1,744)	27,31 (1,075)	16,00 (.630)	42,01 (1,654)	6,50 (.256)	8,99 (.354)
DB	25	DB121073-51	DB121073-56	57,99 (2,283)	41,00 (1,614)	16,00 (.630)	42,01 (1,654)	6,50 (.256)	11,00 (.433)
DC	37	DC121073-52	DC121073-57	74,50 (2,933)	57,51 (2,264)	16,00 (.630)	42,01 (1,654)	6,50 (.256)	11,00 (.433)
DD	50	DD121073-53	DD121073-58	72,97 (2,873)	54,99 (2,165)	19,00 (.748)	42,01 (1,654)	8,99 (.354)	13,00 (.512)

* Color Black available by request, please contact Customer Service.



Dimensions shown in mm (inch)
Specifications and dimensions subject to change

www.ittcannon.com