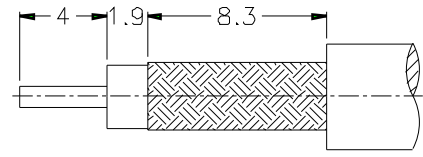
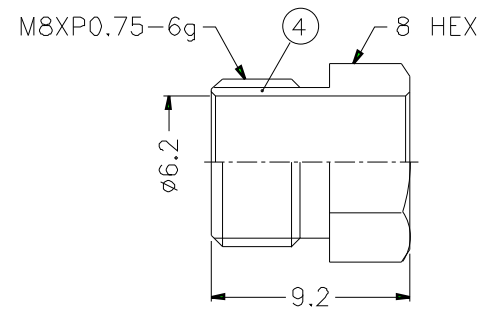
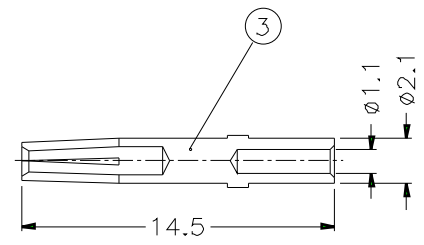
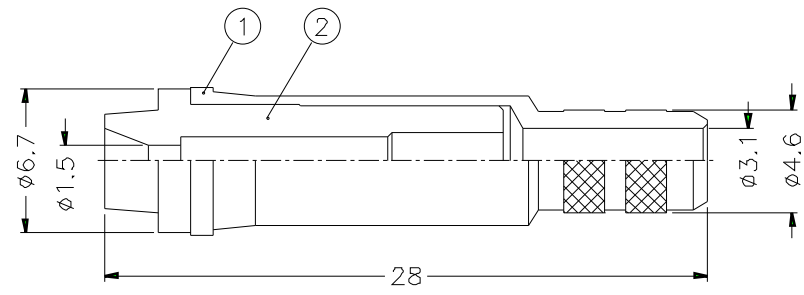


1 2 3 4 5 6 7 8

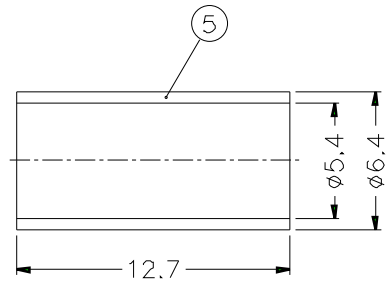
REVISIONS		
ISS	ZONE	DESCRIPTION\PER REQUEST\DATE



RECOMMENDED
CABLE STRIPPING DIM'S



NOTES: FINISH (PLATING THICKNESS IN MICRO-INCHES)
 1. BRASS PER QQ-B-626
 2. NICKEL PL. 100 MIN. THICK OVER COPPER STRIKE
 3. PHOSPHOR BRONZE PER QQ-B-750
 4. GOLD PL. 3 MIN. THICK OVER NICKEL PL. 100 MIN. THICK OVER COPPER STRIKE
 5. JIS H 3250, C 2700



1. CRIMPED FERRULE
 HEX CRIMP SIZE .213"
 2. CRIMPED CONTACT PIN
 HEX CRIMP SIZE .068"

5	FERRULE	NOTE 5	NOTE 2	1	FR-64/54X127
4	HEX NUT	NOTE 1	NOTE 2	1	FME6121A1-4-8/62
3	CONTACT PIN	NOTE 3	NOTE 4	1	FME6121B1-3-21/11
2	INSULATOR	DELRIN	NATURAL	1	FME6121B1-2-50-B
1	BODY	NOTE 1	NOTE 2	1	FME6121A1-1-46/31
NO.	DESCRIPTION	MATERIAL	FINISH	Q'TY	DRAWING NO.

DIMENSIONS ARE IN MILLIMETERS
 UNLESS OTHERWISE SPECIFIED
 TOLERANCES
 0-5 = ±0.2
 6-30 = ±0.4
 30-120 = ±0.6
 120-315 = ±1
 315-1000 = ±1.6
 1000-2000 = ±2.4

PART NO.	FME6121B1-ND3G-1-50
APPROVED	DATE 10-11-01'
CHECKED	DATE 10-11-01'
DRAWN	DATE 10-11-01'
FILE NO.	

Amphenol

TITLE FME ROTATING NIPPLE

DRAWING NO. KJ-FME6121B1-ND3G-58CU-50

ITEM NO.

1 2 3 4 5 6 7 8