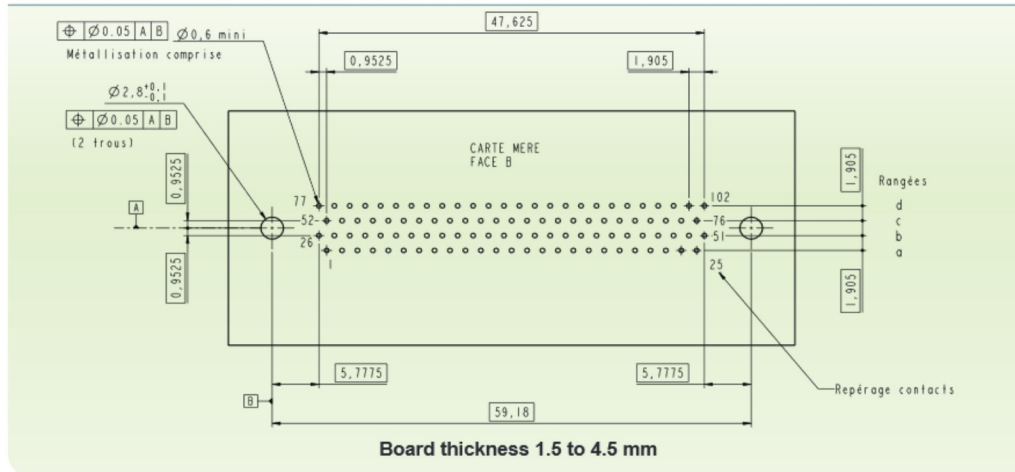


MOTHER BOARD HDAS E 102 YD-000 & HDAS F 102 YD-000



102

Please note that the dimensions on this page highlight a configuration with 102 contacts in 4 rows.

OVERALL DIMENSIONS HDAS E 102 YD-000

