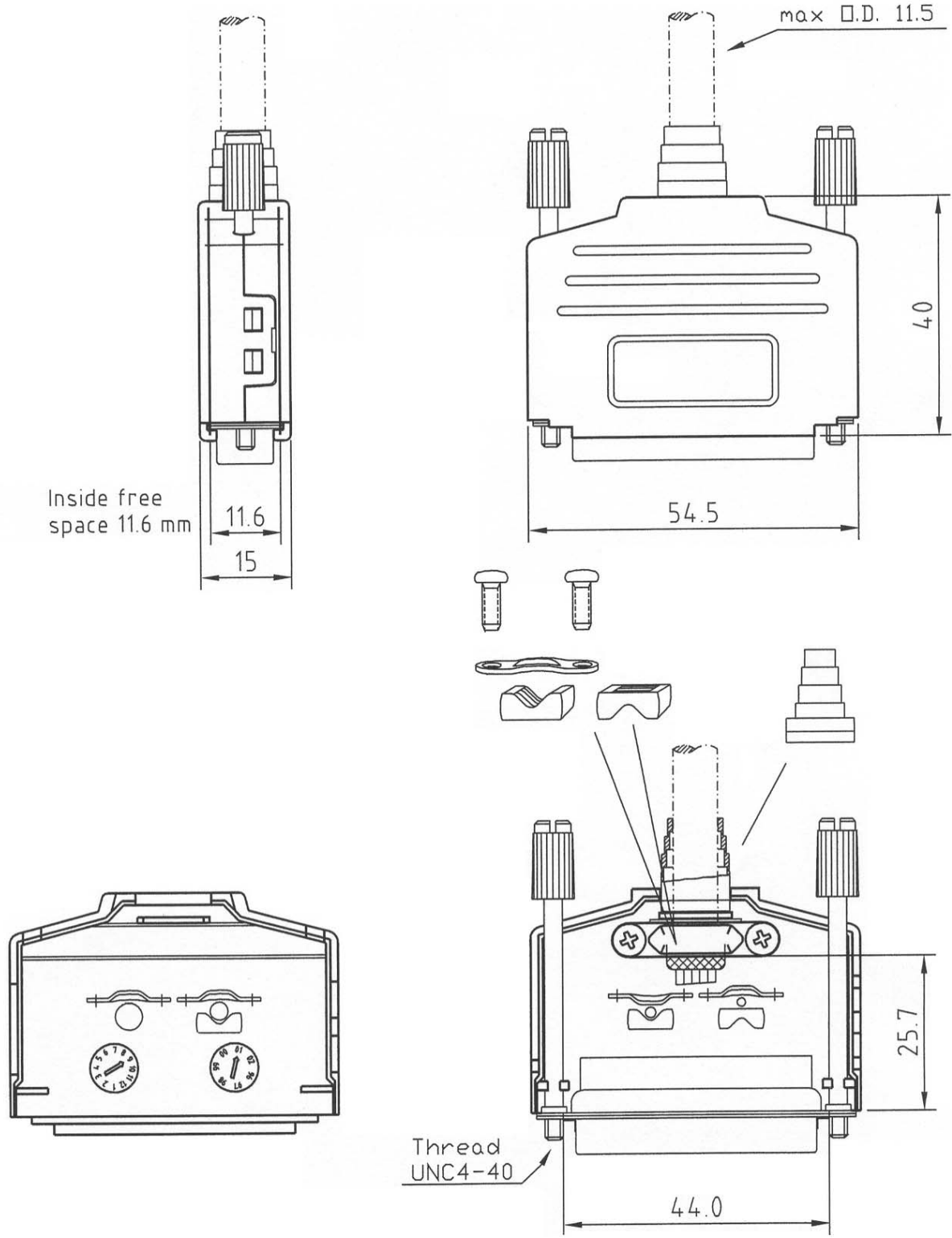


No.	Changes and/or Note No.	Date	Intr.	No.	Changes and/or Note No.	Date	Intr.



Single Pack:	L17DPPK25TMU
Bulk Pack:	L17DPPK25TM

DATE 011025	DRAWN MRR	SCALE 1:1	MATERIAL TYPE
	APPROVED		REPLACES
METALIZED PLASTIC HOOD			DRAWING No 6688-9508

