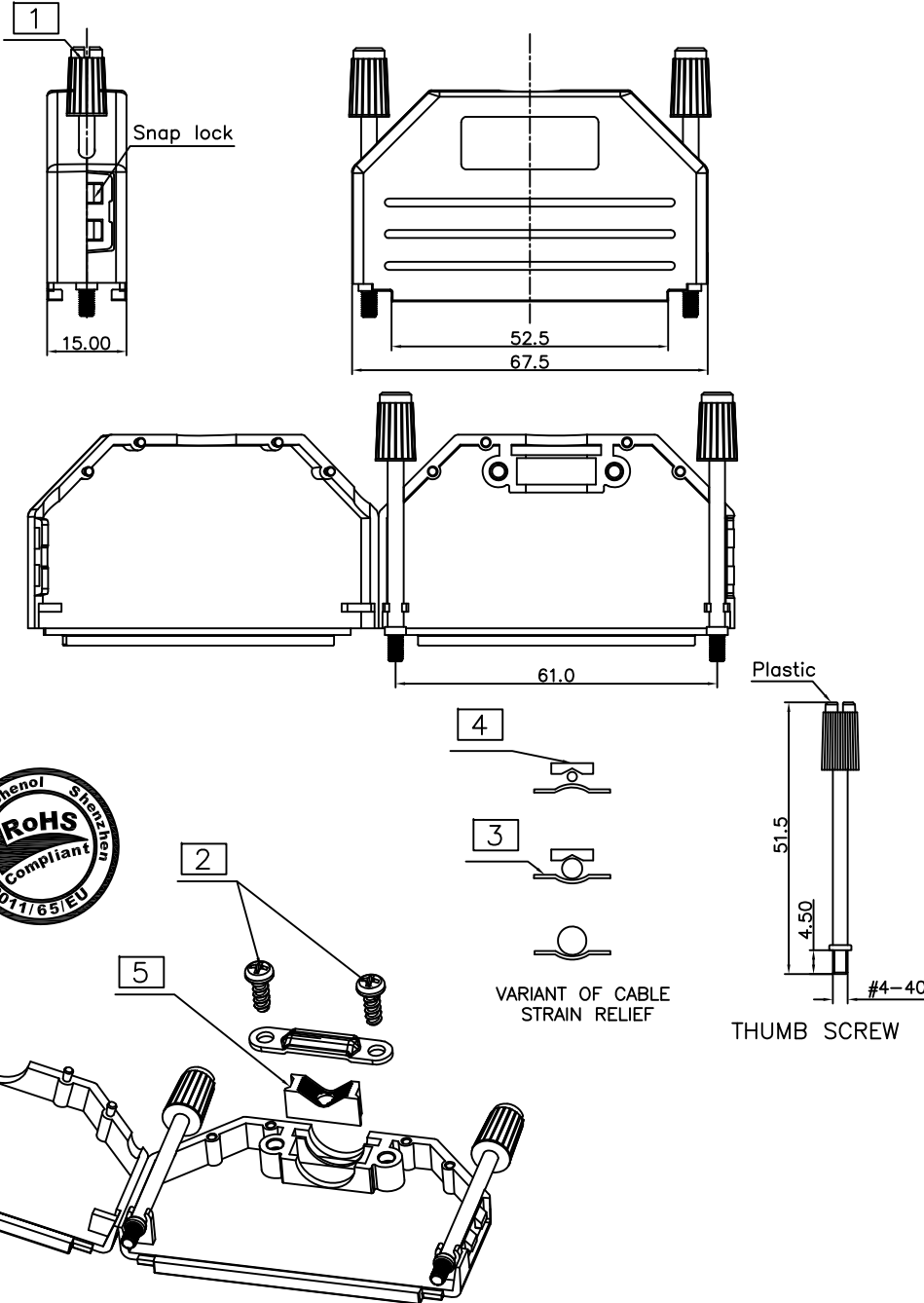


This document is the property of Amphenol Corporation and is delivered on the express condition that it is not to be disclosed, reproduced or used, in whole or in part, for manufacture or sale by anyone other than Amphenol Corporation without its prior consent, & that no right is granted to disclose or to use any information in this document.

Customer Drawing



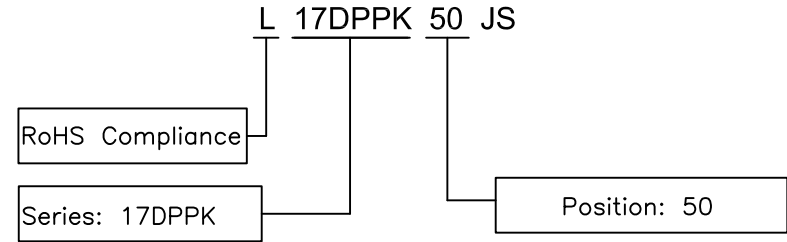
REVISIONS				
SYM	ECN	DESCRIPTION	DATE	APPROVED
1	HK--	First Release Drawing	11/17/17	IP

D-SUB TECHNICAL DATA

Material and finish:

- Shell: Thermoplastic, UL94-V0, color black
- Thumb screws: Steel shaft with plastic knob, blue chromate plated
- Screws: Steel, blue chromate plated, Philips head
- Strain relief: Steel, blue chromate plated cable clamp with self-tapping screws
- Cover: Thermoplastic, UL94-V0, color black
- Temperature range: -40°C to +120°C
- Attenuation factor: >40 dB between 30 MHz and 1 GHz
- Cable gauge: accepts cable diameter up to 11.5mm

PRODUCT CODE



UNLESS OTHERWISE SPECIFIED TOLERANCES		APPROVAL		DATE
U.S.	METRIC	DRAWN	Patia.Lau	11/17/17
.X +/-	0.50	CHECKED	Tony.Tang	11/17/17
.XX +/-	0.30	CHECKED		
.XXX +/-	0.20			
FRACTIONS +/-	5°			
ANGLES +/-				
FOR MATERIALS AND FINISHES SEE NOTES		DRAWING FILE : Drawing/Draw/L17DPPK50JS-1		
REMOVE SHARP EDGES		ANGLE OF PROJECTION		
DIMENSIONS				
U.S.	INCHES			
METRIC	MM			

Amphenol		
TITLE		
50Way Hood, DPPK Series		
SIZE	DRAWING NO.	REV.
A4	L17DPPK50JS	1
SCALE	NONE	SHEET 1 OF 1