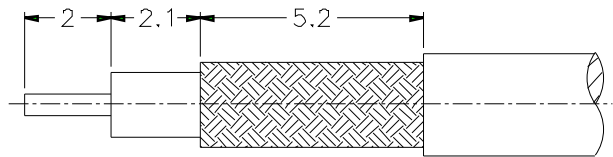
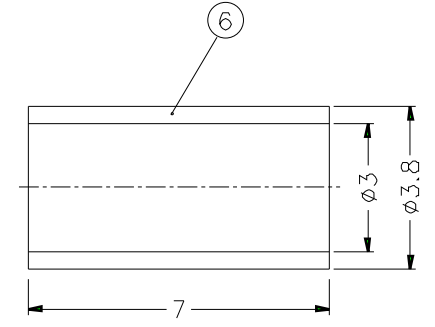
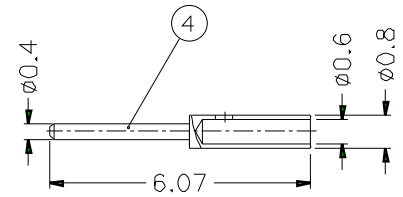
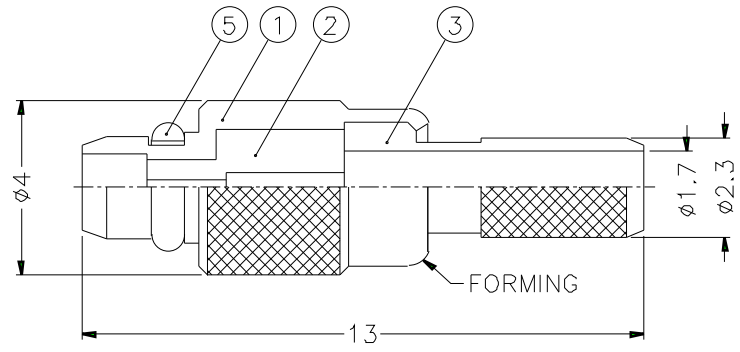


		1		2		3		4		5		6		7		8	
		REVISIONS															
ISS	ZONE	DESCRIPTION\PER REQUEST\DATE															



RECOMMENDED
CABLE STRIPPING DIM'S



- NOTES: FINISH (PLATING THICKNESS IN MICRO-INCHES)
- BRASS PER QQ-B-626
 - GOLD PL. 3 MIN. THICK OVER NICKEL PL. 100 MIN. THICK OVER COPPER STRIKE
 - BERYLLIUM COPPER PER QQ-C-530
 - GOLD PL. 30 MIN. THICK OVER NICKEL PL. 100 MIN. THICK OVER COPPER STRIKE
 - TEFLON MIL-P-19468

1. CRIMPED FERRULE
HEX CRIMP SIZE .128"

6	FERRULE	COPPER	NOTE 2	1	FR-38/3X7C					PART NO. MMCX1121A1-3GT30G-5-50		<h1 style="text-align: center;">Amphenol</h1> <p style="text-align: center;">TITLE MMCX CRIMP PLUG (FOR RG-174/U,188A/U,316/U)</p> <p style="text-align: center;">DRAWING NO. KJ-MMCX1121A1-3GT30G-316U-50</p> <p style="text-align: center;">ITEM NO.</p>
5	RETAINER RING	NOTE 3	NOTE 2	1	MMCX1121A1-5-C	DIMENSIONS ARE IN MILLIMETERS UNLESS OTHERWISE SPECIFIED TOLERANCES 0.5-6 = ±0.2 6-30 = ±0.4 30-120 = ±0.6 120-315 = ±1 315-1000 = ±1.6 1000-2000 = ±2.4				APPROVED	DATE 10-11-01'	
4	CONTACT PIN	NOTE 1	NOTE 4	1	MMCX1121A1-4-08/06-B					CHECKED	DATE 10-11-01'	
3	BARREL	NOTE 1	NOTE 2	1	MMCX1121A1-3-23/17					DRAWN	DATE 10-11-01'	
2	INSULATOR	NOTE 5	NATURAL	1	MMCX1121A1-2T-5-B							
1	BODY	NOTE 1	NOTE 2	1	MMCX1121A1-1-C							
NO.	DESCRIPTION	MATERIAL	FINISH	Q'TY	DRAWING NO.	SCALE	6/1	ISSUE	A	FILE NO.		

		1		2		3		4		5		6		7		8	
--	--	---	--	---	--	---	--	---	--	---	--	---	--	---	--	---	--