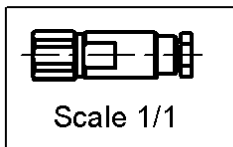
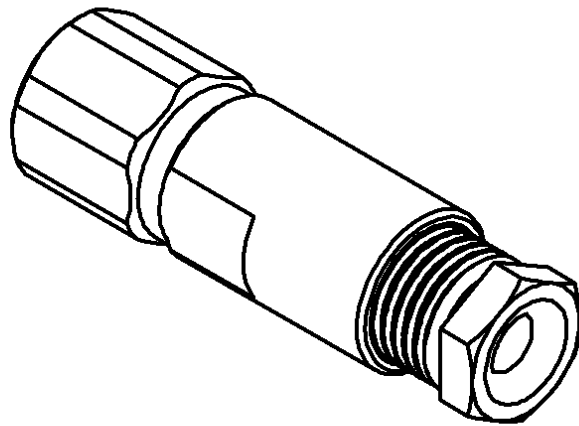
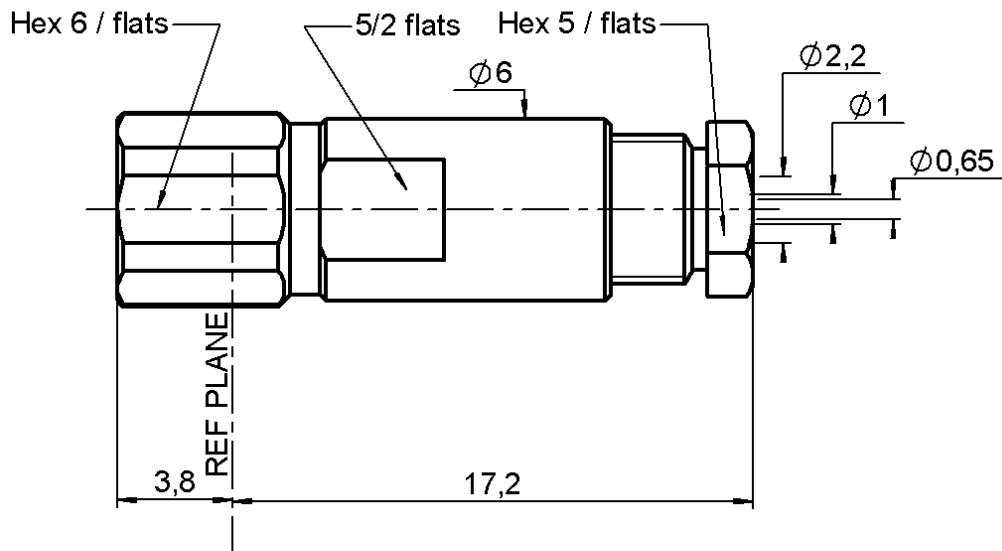


STRAIGHT PLUG CLAMP TYPE

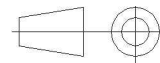
R112.003.000

CABLE 2/50 S

Series : SMC



All dimensions are in mm.



COMPONENTS	MATERIALS	PLATINGS (µm)
BODY	BRASS	GOLD 0.2 OVER NICKEL 2
CENTER CONTACT	BERYLLIUM COPPER	GOLD 1.3 OVER NICKEL 2
OUTER CONTACT	-	-
INSULATOR	PTFE	-
GASKET	CHLOROPRENE	-
OTHERS PARTS	BRASS	GOLD 0.2 OVER NICKEL 2
-	-	-
-	-	-

Issue : 0423 B

In the effort to improve our products, we reserve the right to make changes judged to be necessary.



STRAIGHT PLUG CLAMP TYPE

R112.003.000

CABLE 2/50 S

Series : SMC

PACKAGING

Standard	Unit	Other
1	-	Contact us

SPECIFICATION

00 A 8722 038077215-8722 038

ELECTRICAL CHARACTERISTICS

Impedance		50 Ω
Frequency		0-10 GHz
VSWR	1.25 +	0.040 x F(GHz) Maxi
Insertion loss		0.125 √F(GHz) dB Maxi
RF leakage	- (62 - F(GHz)) dB Maxi
Voltage rating		250 Veff Maxi
Dielectric withstanding voltage		750 Veff mini
Insulation resistance		1000 MΩ mini

CABLE ASSEMBLY

Stripping	a	b	c	d	e	f
mm	2.50	1.20	4.50	4.50	0.00	0.00

Assembly instruction :

Recommended cable(s)
 RG 178
 RG 196
 RG 178 LC
 KX 21

Characteristics indicated on this data sheet are those that can be achieved with the highest performance cable. Intrinsic limitations of the cable may diminish the performance of the assembly

Cable retention

- pull off **58** N mini
 - torque **NA** N.cm

MECHANICAL CHARACTERISTICS

Center contact retention		
Axial force – Mating end		10 N mini
Axial force – Opposite end		10 N mini
Torque		NA N.cm mini

TOOLING

Part Number	Description	Hexagon
.	.	.

Recommended torque		
Mating		30 N.cm
Panel nut		NA N.cm
Clamp nut		70 N.cm
A/F clamp nut		5.000 mm

OTHERS CHARACTERISTICS

Mating life		500 Cycles mini
Weight		2.600 g

ENVIRONMENTAL

Operating temperature		-55°/+100 °C
Hermetic seal		NA Atm.cm3/s
Panel leakage		NA

Issue : 0423 B

In the effort to improve our products, we reserve the right to make changes judged to be necessary.

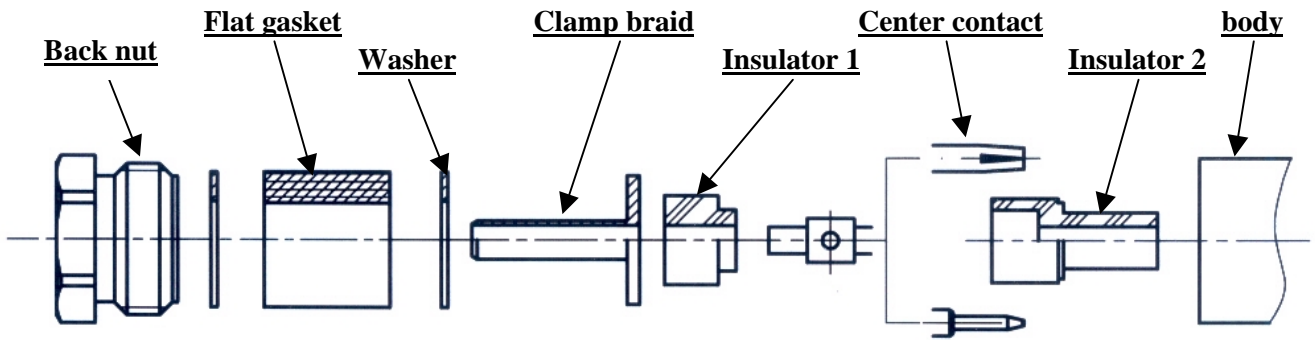


STRAIGHT PLUG CLAMP TYPE

R112.003.000

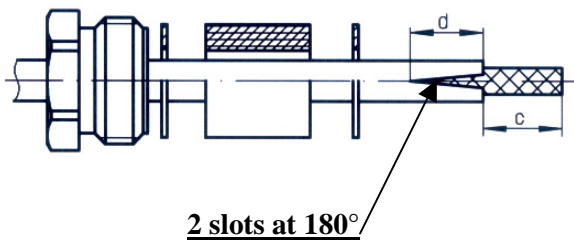
CABLE 2/50 S

Series : SMC



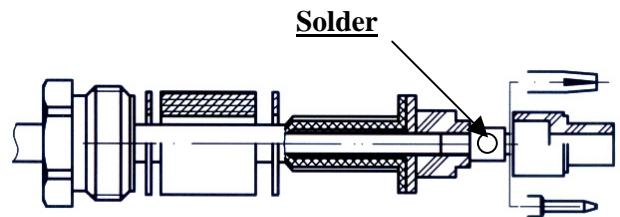
1

Slide the back nut, the first washer, the flat gasket, the second washer onto the cable.
Strip the cable.
Cut 2 slots in the jacket if necessary.



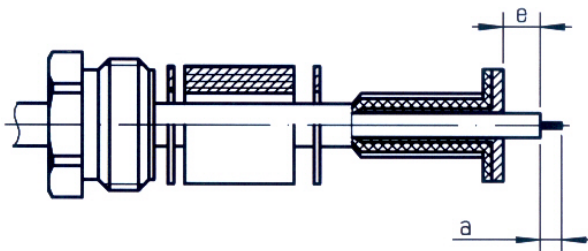
3

Slide the first insulator.
Slide the center contact and solder.
Slide the second insulator.



2

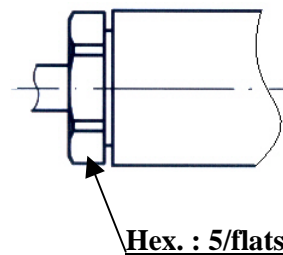
Slide the clamp braid sleeve.
Cut the braid flush with the clamp braid sleeve.
Strip off the dielectric.



4

Screw sub-assembly into the connector body with the adapted wrench.

Recommended coupling torque (see connector TDS).



Issue : 0423 B

In the effort to improve our products, we reserve the right to make changes judged to be necessary.



RADIALL®