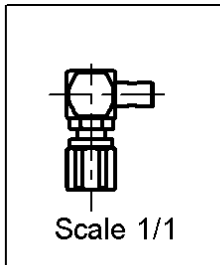
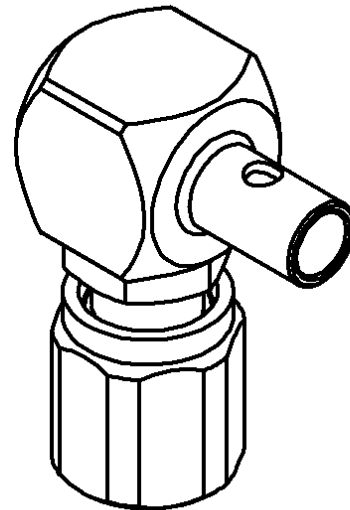
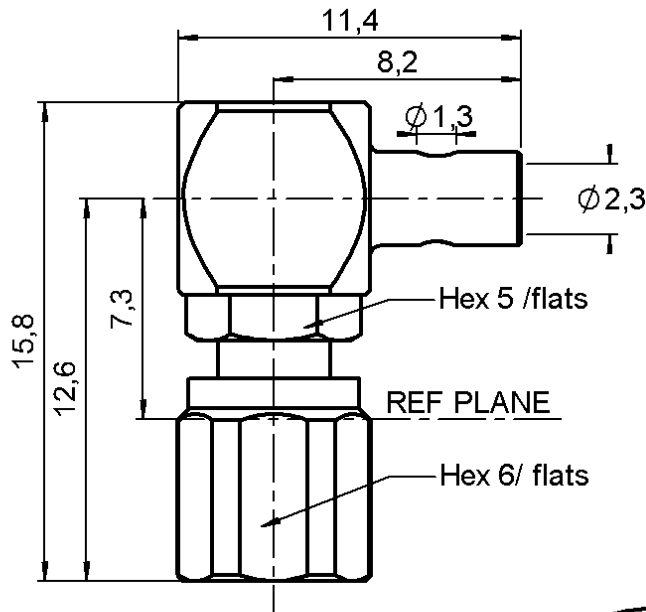


RIGHT ANGLE PLUG SOLDER TYPE

R112.169.000

CABLE .085

Series : SMC



All dimensions are in mm.



COMPONENTS	MATERIALS	PLATINGS (µm)
BODY	BRASS	GOLD 0.2 OVER NICKEL 2
CENTER CONTACT	BERYLLIUM COPPER	GOLD 1.3 OVER NICKEL 2
OUTER CONTACT	-	-
INSULATOR	PTFE	-
GASKET	-	-
OTHERS PARTS	BRASS	GOLD 0.2 OVER NICKEL 2
-	-	-
-	-	-

Issue : 0041 Q

In the effort to improve our products, we reserve the right to make changes judged to be necessary.



RIGHT ANGLE PLUG SOLDER TYPE

R112.169.000

CABLE .085

Series : SMC

PACKAGING

Standard	Unit	Other
100	'W' option	Contact us

SPECIFICATION

CABLE ASSEMBLY

ELECTRICAL CHARACTERISTICS

Stripping	a	b	c	d	e	f
mm	7.50	0.00	0.00	0.00	0.00	0.00

Impedance		50	Ω
Frequency		0-10	GHz
VSWR	1.40 +	0.060	x F(GHz) Maxi
Insertion loss		0.25	\sqrt{F} (GHz) dB Maxi
RF leakage	- (62	- F(GHz)) dB mini
Voltage rating		250	Veff Maxi
Dielectric withstanding voltage		750	Veff mini
Insulation resistance		1000	M Ω mini

Assembly instruction :

Recommended cable(s)
RG 405
KS 1

Cable retention

- pull off **200** N mini
- torque **NA** N.cm

MECHANICAL CHARACTERISTICS

TOOLING

Center contact retention			
Axial force – Mating end		10	N mini
Axial force – Opposite end		10	N mini
Torque		NA	N.cm mini

Part Number	Description	Hexagon
.	.	.

Recommended torque			
Mating		30	N.cm
Panel nut		NA	N.cm
Clamp nut		NA	N.cm
A/F clamp nut		0.000	mm

OTHERS CHARACTERISTICS

Mating life		500	Cycles mini
Weight		0.000	g

ENVIRONMENTAL

Operating temperature		-65/+105	$^{\circ}$ C
Hermetic seal		NA	Atm.cm3/s
Panel leakage		NA	

Issue : 0041 Q

In the effort to improve our products, we reserve the right to make changes judged to be necessary.



RIGHT ANGLE PLUG SOLDER TYPE

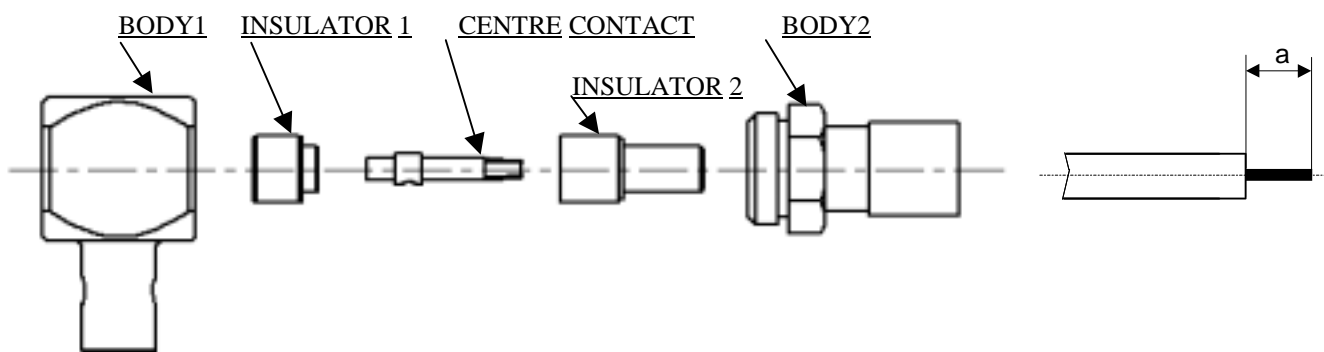
R112.169.000

CABLE .085

Series : SMC

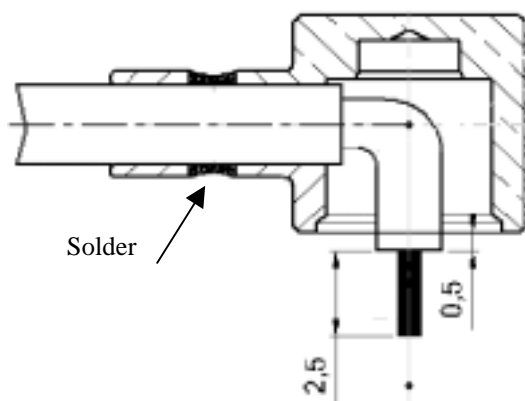
COMPONENTS

STRIPPING DIMENSIONS



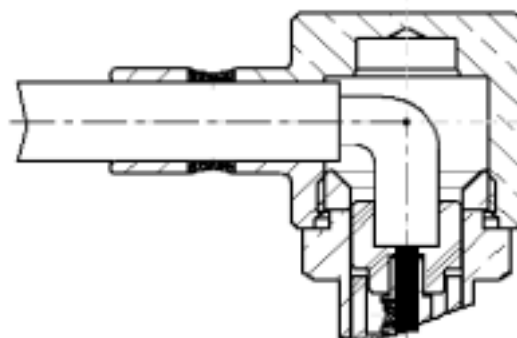
1

- Strip off the outer conductor
- Push the cable through the housing.
- Solder the body1 on to the cable.
- Cut back the dielectric.



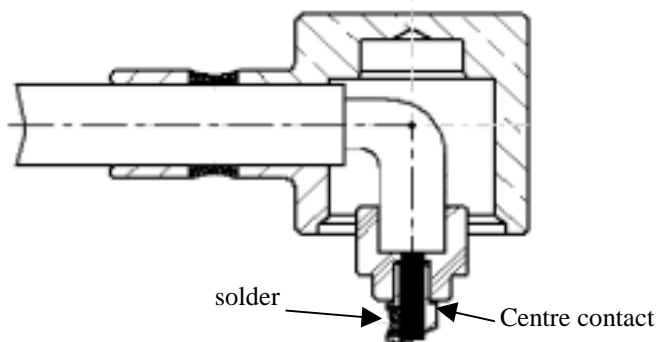
3

- Fit the insulator 2.
- Fit the body2 on to the sub-assembly.



2

- Fit the insulator 1.
- Solder the contact ensuring that the contact has been pushed home into the insulator 1.



Issue : 0041 Q

In the effort to improve our products, we reserve the right to make changes judged to be necessary.

