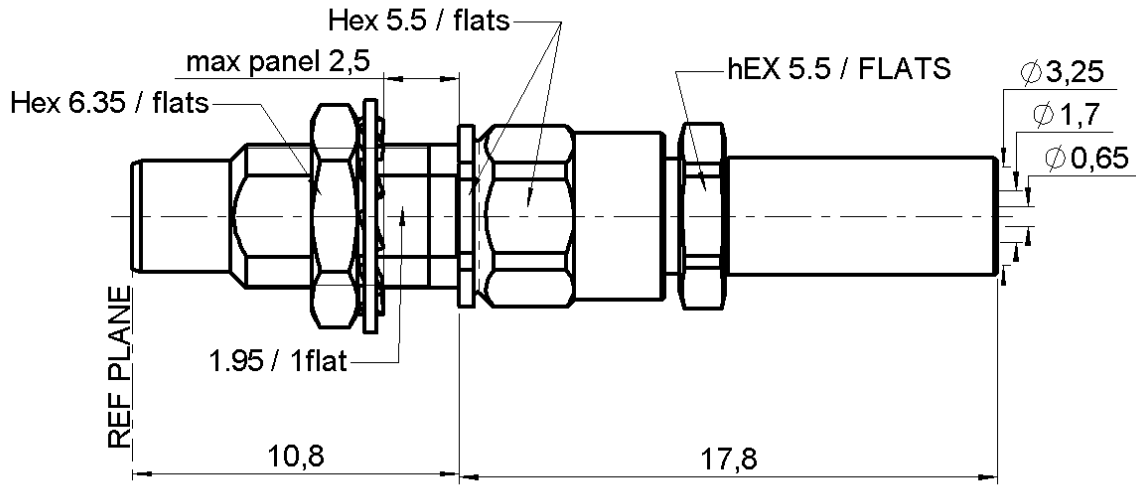


**STRAIGHT BULKHEAD JACK CRIMP TYPE**

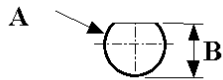
**R112.307.000**

**REAR MOUNT - CABLE 2.6/50+75 S**

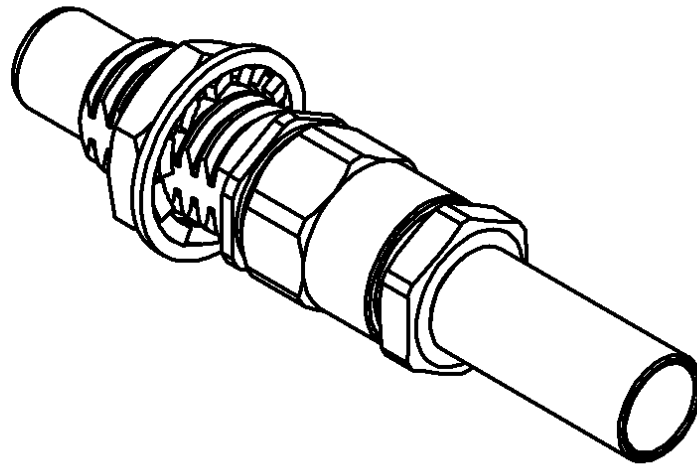
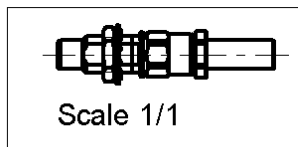
Series : SMC



**PANEL CUT OUT**



| mm |      |      |
|----|------|------|
|    | Maxi | mini |
| A  | 5    | 4.9  |
| B  | 4.58 | 4.46 |



All dimensions are in mm.

| COMPONENTS     | MATERIALS | PLATINGS (µm)          |
|----------------|-----------|------------------------|
| BODY           | BRASS     | GOLD 0.2 OVER NICKEL 2 |
| CENTER CONTACT | BRASS     | GOLD 1.3 OVER NICKEL 2 |
| OUTER CONTACT  | -         | -                      |
| INSULATOR      | PTFE      | -                      |
| GASKET         | -         | -                      |
| OTHERS PARTS   | BRASS     | GOLD 0.2 OVER NICKEL 2 |
| -              | -         | -                      |
| -              | -         | -                      |

Issue : 9925 K

In the effort to improve our products, we reserve the right to make changes judged to be necessary.



**STRAIGHT BULKHEAD JACK CRIMP TYPE**

**R112.307.000**

**REAR MOUNT - CABLE 2.6/50+75 S**

Series : SMC

**PACKAGING**

| Standard   | Unit              | Other             |
|------------|-------------------|-------------------|
| <b>100</b> | <b>'W' option</b> | <b>Contact us</b> |

**SPECIFICATION**

**ELECTRICAL CHARACTERISTICS**

|                                 |               |              |                          |
|---------------------------------|---------------|--------------|--------------------------|
| Impedance                       |               | <b>50</b>    | $\Omega$                 |
| Frequency                       |               | <b>0-10</b>  | GHz                      |
| VSWR                            | <b>1.20</b> + | <b>0.040</b> | x F(GHz) Maxi            |
| Insertion loss                  |               | <b>0.125</b> | $\sqrt{F}$ (GHz) dB Maxi |
| RF leakage                      | - (           | <b>62</b>    | - F(GHz)) dB Maxi        |
| Voltage rating                  |               | <b>335</b>   | Veff Maxi                |
| Dielectric withstanding voltage |               | <b>1000</b>  | Veff mini                |
| Insulation resistance           |               | <b>1000</b>  | M $\Omega$ mini          |

**CABLE ASSEMBLY**

| Stripping | a    | b    | c    | d    | e    | f    |
|-----------|------|------|------|------|------|------|
| mm        | 2.20 | 5.40 | 15.5 | 0.00 | 13.3 | 0.00 |

Assembly instruction : **Crimp 10**

Recommended cable(s)  
 RG 179  
 RG 187  
 RG 188  
 KX 22A  
 RG 316

Characteristics indicated on this data sheet are those that can be achieved with the highest performance cable. Intrinsic limitations of the cable may diminish the performance of the assembly

Cable retention

- pull off **110** N mini  
 - torque **NA** N.cm

**MECHANICAL CHARACTERISTICS**

|                            |  |           |           |
|----------------------------|--|-----------|-----------|
| Center contact retention   |  |           |           |
| Axial force – Mating end   |  | <b>10</b> | N mini    |
| Axial force – Opposite end |  | <b>10</b> | N mini    |
| Torque                     |  | <b>NA</b> | N.cm mini |

**TOOLING**

| Part Number  | Description   | Hexagon |
|--------------|---------------|---------|
| .            | .             | .       |
| R282.211.000 | CRIMPING TOOL | 3.25    |
| R282.235.003 | CRIMPING DIES | 3.25    |
| R282.293.000 | CRIMPING TOOL | -       |

|                    |  |              |      |
|--------------------|--|--------------|------|
| Recommended torque |  |              |      |
| Mating             |  | <b>NA</b>    | N.cm |
| Panel nut          |  | <b>60</b>    | N.cm |
| Clamp nut          |  | <b>NA</b>    | N.cm |
| A/F clamp nut      |  | <b>0.000</b> | mm   |

|             |  |              |             |
|-------------|--|--------------|-------------|
| Mating life |  | <b>500</b>   | Cycles mini |
| Weight      |  | <b>2.300</b> | g           |

**OTHERS CHARACTERISTICS**

-

**ENVIRONMENTAL**

|                       |  |                 |              |
|-----------------------|--|-----------------|--------------|
| Operating temperature |  | <b>-65/+165</b> | $^{\circ}$ C |
| Hermetic seal         |  | <b>NA</b>       | Atm.cm3/s    |
| Panel leakage         |  | <b>NA</b>       |              |

Issue : 9925 K

In the effort to improve our products, we reserve the right to make changes judged to be necessary.

