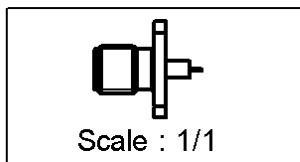
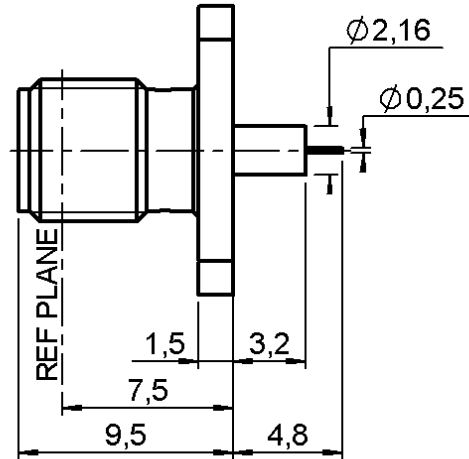
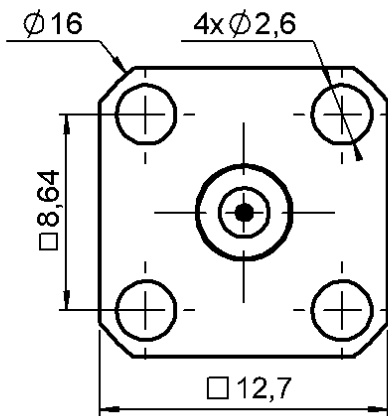


SQUARE FLANGE JACK RECEPTACLE

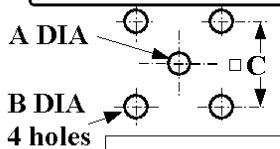
R125.512.001

WITH SHOULDER CONTACT

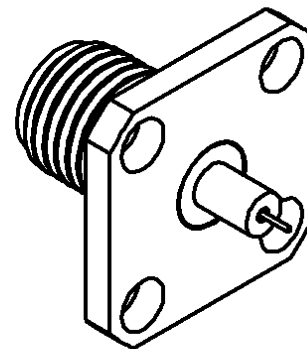
Series : SMA



PANEL CUT OUT



	mm	
	Maxi	mini
A	2.25	2.2
B	2.7	2.6
C	8.69	8.59



All dimensions are in mm.

COMPONENTS	MATERIALS	PLATING
BODY	STAINLESS STEEL	PASSIVATED . μm
CENTRE CONTACT	BERYLLIUM COPPER	GOLD 1.3 OVER NICKEL 2 μm
OUTER CONTACT	-	- μm
INSULATOR	PTFE	
GASKET	-	
OTHERS PARTS	-	- μm
-	-	-
-	-	-



Edition : 9840 D

Design changes may be in order to improve the product.

SQUARE FLANGE JACK RECEPTACLE

R125.512.001

WITH SHOULDER CONTACT

Series : SMA

ELECTRICAL CHARACTERISTICS

Impedance		50 Ω
Frequency		0-18 GHz
VSWR	1.06* +	0.002 x F(GHz) Maxi
Insertion loss	0.07*	√F(GHz) dB Maxi
RF leakage	- (60 - F(GHz)) dB mini
Operating temperature		-65/+165 ° C
Voltage rating		500 Veff Maxi
Dielectric withstanding voltage		1000 Veff mini
Insulation resistance		5000 MΩ mini

SPECIFICATION

ENVIRONMENTAL

Hermetic seal	NA	Atm.cm3/s
Leakage – pressurised only	NA	Mpa

OTHERS CHARACTERISTICS

Assembly instruction **NA**

Others :
* Coaxial Transmission Line Only

MECHANICAL CHARACTERISTICS

Centre contact retention		
Axial force – Mating end		27 N mini
Axial force – Opposite end		27 N mini
Torque		2.8 N.cm mini
Recommended torque		
Mating		NA N.cm
Panel nut		NA N.cm
Mating life		500 Cycles mini
Weight		0.000 g

