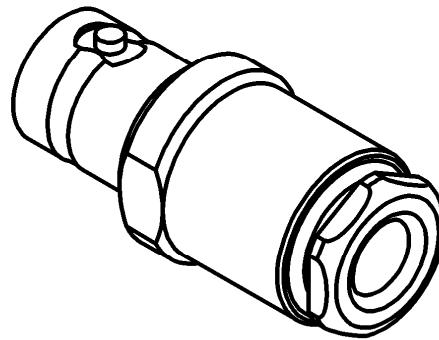
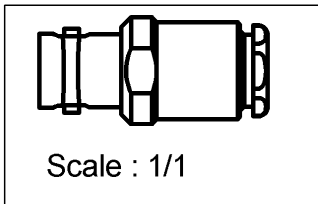
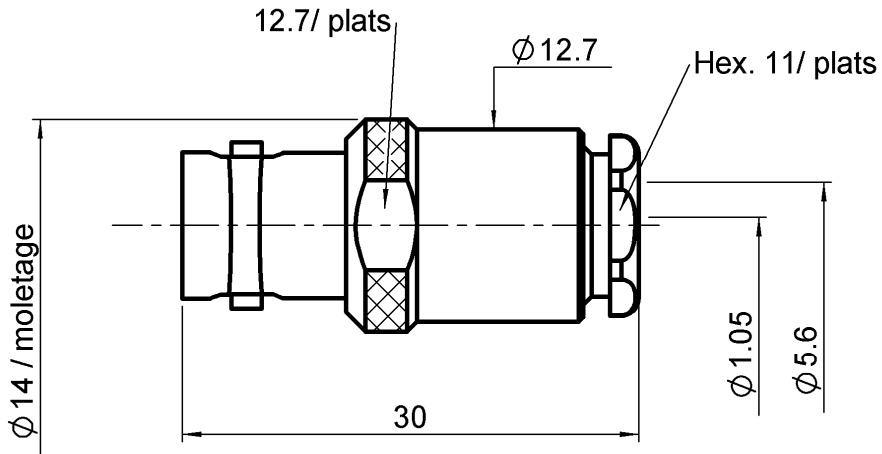


**STRAIGHT JACK CLAMP TYPE**

**R141.207.000**

**CABLE 5/50 S+D**

Series : **BNC**



All dimensions are in mm.



COMPONENTS	MATERIALS	PLATING (µm)
BODY	BRASS	NICKEL 2
CENTER CONTACT	BERYLLIUM COPPER	GOLD 0.5 OVER NICKEL 2
OUTER CONTACT	-	-
INSULATOR	PTFE	-
GASKET	SILICONE RUBBER	-
OTHERS PARTS	BRASS	NICKEL 2
-	-	-
-	-	-

Issue : 0905 C

In the effort to improve our products, we reserve the right to make changes judged to be necessary.



**STRAIGHT JACK CLAMP TYPE**

**R141.207.000**

**CABLE 5/50 S+D**

Series : **BNC**

**PACKAGING**

Standard	Unit	Other
<b>100</b>	<b>'W' option</b>	<b>Contact us</b>

**SPECIFICATION**

**DHS 795 130**

**ELECTRICAL CHARACTERISTICS**

Impedance		<b>50</b>	$\Omega$
Frequency		<b>0-4</b>	GHz
VSWR	<b>1.3 +</b>	<b>0,0000</b>	x F(GHz) Maxi
Insertion loss		<b>0.115</b>	$\sqrt{F}$ (GHz) dB Maxi
RF leakage	- (	<b>57</b>	- F(GHz)) dB Maxi
Voltage rating		<b>500</b>	Veff Maxi
Dielectric withstanding voltage		<b>1500</b>	Veff mini
Insulation resistance		<b>5000</b>	M $\Omega$ mini

**CABLE ASSEMBLY**

Stripping	a	b	c	d	e	f
mm	3,00	9,00	0,00	0,00	1,00	0,00

Assembly instruction : **Clamp 02**

Recommended cable(s)

KX 15  
 RG 141  
 KX 23  
 RG 142 FTX  
 RG 58  
 RG 142  
 RG 400  
 RG 223

Characteristics indicated on this data sheet are those that can be achieved with the highest performance cable. Intrinsic limitations of the cable may diminish the performance of the assembly

Cable retention

- pull off **180** N mini  
 - torque **NA** N.cm

**MECHANICAL CHARACTERISTICS**

Center contact retention			
Axial force – Mating end	<b>NA</b>	<b>N</b>	mini
Axial force – Opposite end	<b>NA</b>	<b>N</b>	mini
Torque	<b>NA</b>	<b>N.cm</b>	mini

Recommended torque			
Mating	<b>NA</b>	<b>N.cm</b>	
Panel nut	<b>NA</b>	<b>N.cm</b>	
Clamp nut	<b>450</b>	<b>N.cm</b>	
A/F clamp nut	<b>11,0000</b>	<b>mm</b>	

Mating life	<b>500</b>	<b>Cycles</b>	mini
Weight	<b>16,7000</b>	<b>g</b>	

**TOOLING**

Part Number	Description	Hexagon
.	.	.

**OTHER CHARACTERISTICS**

-

**ENVIRONMENTAL**

Operating temperature	<b>-65/+165</b>	$^{\circ}$ C
Hermetic seal	<b>NA</b>	Atm.cm3/s
Panel leakage	<b>NA</b>	

Issue : **0905 C**

In the effort to improve our products, we reserve the right to make changes judged to be necessary.

