

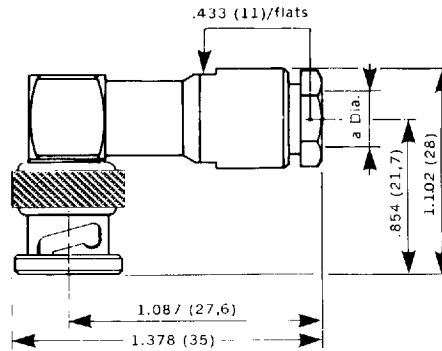
50 Ω

BNC

CABLE CLAMP FOR FLEXIBLE CABLES

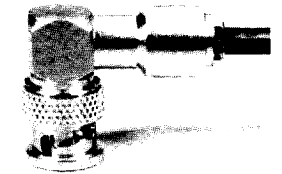
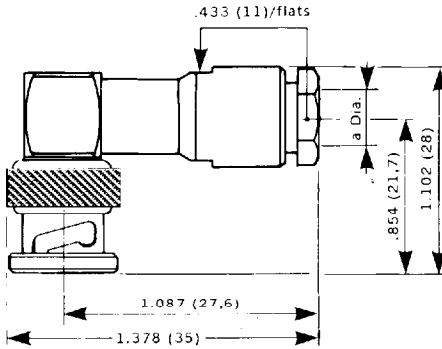
CABLE DIA.	.079 (2)	.102 (2,6)
Ω	50	50 +75
PART NUMBER	R 141 153	R 141 154
a dia. max.	.086 (2,2)	.118 (3)
Captive contact	YES	YES
Assembly	M 04	M 04

RIGHT ANGLE PLUG



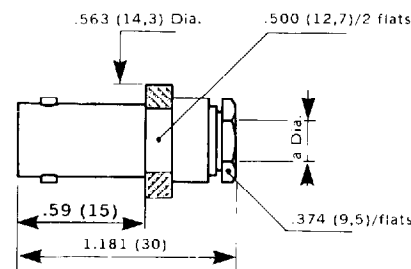
CABLE DIA.	.197(5)	.236(6)
Ω	50	75+93
PART NUMBER	R 141 156	R 141 157
Equival. MIL	UG. 913 A/U	
Equival. NF	KBN 33	
CECC P/N	22121-803-02	
a dia. max.	.220(5,6)	.260(6,6)
Captive contact	YES	YES
Assembly	M02	M02

RIGHT ANGLE PLUG



CABLE DIA.	.197 (5)	.236 (6)
Ω	50	75 +93
PART NUMBER	R 141 206	R 141 209
Equival. MIL	UG. 89/U	UG. 261/U
a dia. max.	.220 (5,6)	.260 (6,6)
Captive contact	NO	NO
Assembly	M 01	M 01

STRAIGHT JACK



CABLE DIA.	.197(5)	.236(6)
Ω	50	75+93
PART NUMBER	R 141 207	R 141 210
Equival. MIL	UG. 89 C/U	UG. 261 C/U
Equival. NF	KBN 2	KBN 12
CECC P/N	22121-014-02	22121-805-04
a dia. max.	.220(5,6)	.260(6,6)
Captive contact	NO	YES
Assembly	M02	M02

STRAIGHT JACK

