

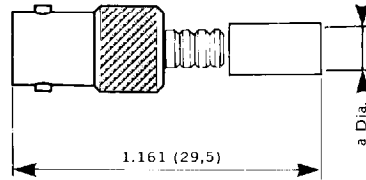
50 Ω

BNC

CRIMP JACK FOR FLEXIBLE CABLES

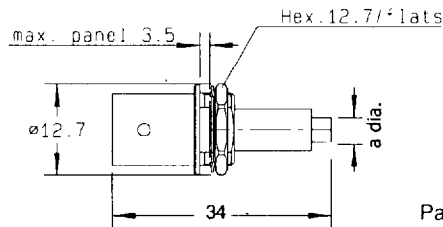
CABLE DIA. Ω	.197 (5) 50 D.tr	.197 (5) 50 S.tr
PART NUMBER	R 141 220	R 141 237
Equival. MIL		UG. 1794/U
a dia. max.	.216 (5,5)	.216 (5,5)
Captive contact	YES	YES
Assembly	M 03	M 03

STRAIGHT JACK



CABLE DIA. Ω	.102 (2,6)	50
PART NUMBER	R 141 306	
a dia. max.	.118 (3)	
Captive contact	YES	
Assembly	M 05	

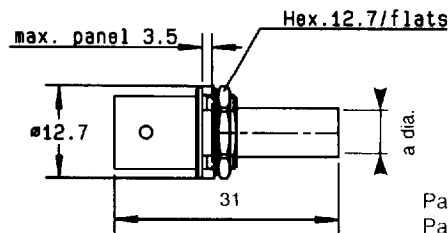
STRAIGHT BULKHEAD JACK



Panel
Pattern
P.9
(Page 31)

CABLE DIA. Ω	.197 (5)	50 S.tr
PART NUMBER	R 141 308	
a dia. max.	.216 (5,5)	
Captive contact	YES	
Assembly	M 03	

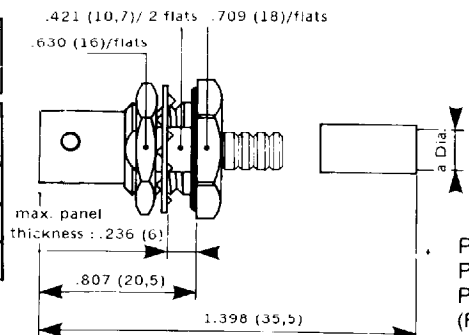
STRAIGHT BULKHEAD JACK



Panel
Pattern
P.9
(Page 31)

STRAIGHT BULKHEAD JACK WITH PANEL SEAL

CABLE DIA. Ω	.197 (5) 50	.236 (6) 75 + 93
PART NUMBER	R 141 332 500	R 141 334 500
a dia. max.	.216 (5,5)	.260 (6,6)
Captive contact	YES	YES
Assembly	M 03	M 03



Panel
Pattern
P.7 or P.8
(Page 31)