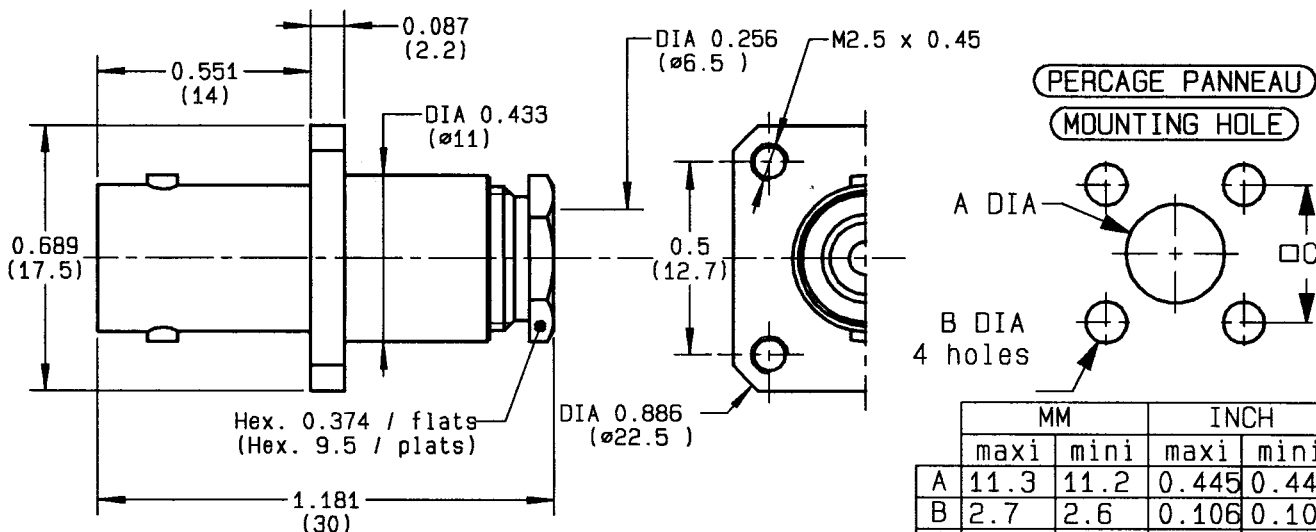


STRAIGHT FLANGE MOUNT CABLE JACK-CLAMP TYPE  
CABLE 6/75

Series : BNC

1 / 2



CABLES : RG 59

CHARACTERISTICS

NOMINAL IMPEDANCE	50	Ω
FREQUENCY RANGE	0-4	GHz
TEMPERATURE RATING	-65/+165	°C
VSWR	TBD +	0 x F(GHz)Maxi
RF INSERTION LOSS	TBD	√F(GHz) dB Maxi
VOLTAGE RATING	500	Vrms Max
DIELECTRIC WITHSTANDING VOLTAGE	1500	Vrms min
INSULATION RESISTANCE	5000	MΩ min
HERMETIC SEAL	-	cc/s
	NA	Atm.cm3/s
LEAKAGE (pressurized only)	-	psi
	NA	MPa
WEIGHT	0.6429	Oz
	18	g

STANDARDISATION

CABLE RETENTION	40.64	181	lb min	N
CENTER CONTACT RETENTION				
Axial force - mating end	0	NA	lb min	N
Axial force - opposite end	0	NA	lb min	N
Torque (Min)	0	NA	Inch.oz	cm.N
RECOMMENDED TORQUES				
Mating	0	NA	inch.lb	cm.N
Panel nut	0	NA	inch.lb	cm.N
Clamp nut	13.27	150	inch.lb	cm.N

CONSTRUCTION

CONNECTOR PARTS	MATERIALS	FINISH
BODY	BRASS	NICKEL
OUTER CONTACT	-	-
CENTER CONTACT	BERYLLIUM COPPER	GOLD
INSULATOR	PTFE	-
-	-	-
-	-	-
-	-	-
-	-	-
-	-	-

ISSUE	REVISION No	DESCRIPTION	BY	DATE
-	-	-	-	-
9440	-	39.82 in.lb -> 13.27 in.lb	GAUTIER	05-10-94

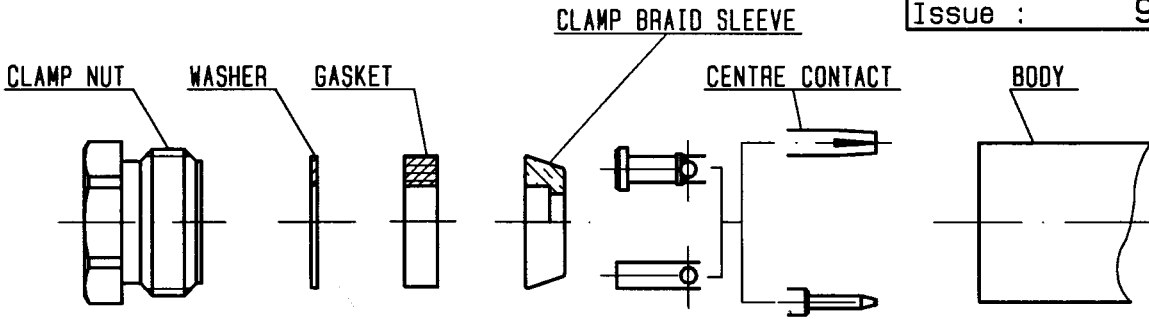
Initiated on 26/09/94

The information given here is subject to change without notice. Design changes may be in order to improve the product.



Approval by BAFFERT

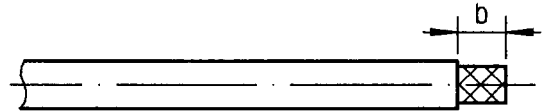
GAUTIER



①

Strip the cable .

-  
-  
-  
-



Stripping	a	b	c	d	e
inch	0.098	0.276	0	0	0.118
mm	2.5	7	-	-	3

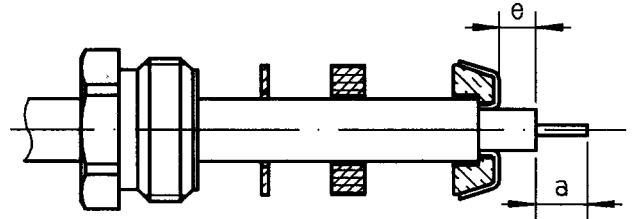
②

Slide the clamp nut , the washer and the gasket onto the cable .

Slide clamp braid sleeve over braid .  
Fold back braid and trim off surplus braid .

Trim back dielectric as shown .

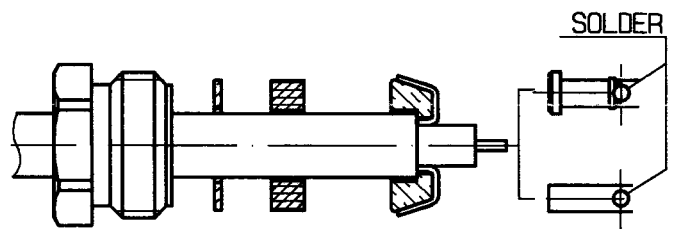
-  
-  
-



③

Solder the cable inner conductor into centre contact .

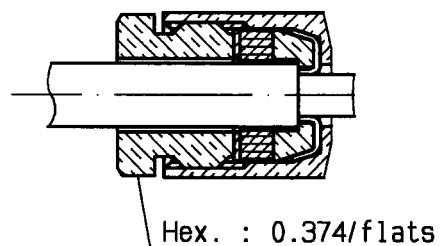
-  
-  
-  
-  
-



④

Screw sub-assembly into the connector body .  
( recommended coupling torque 13.27 in.lb )

-  
-



PE 03  
4112 9211