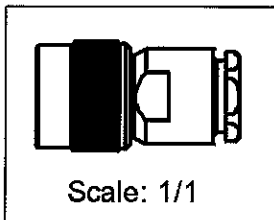
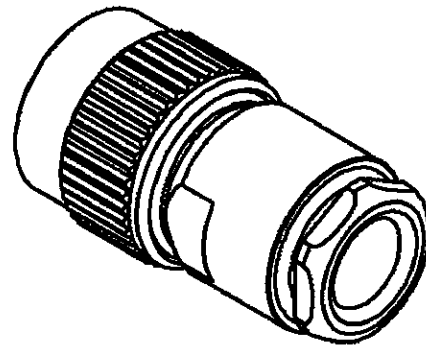
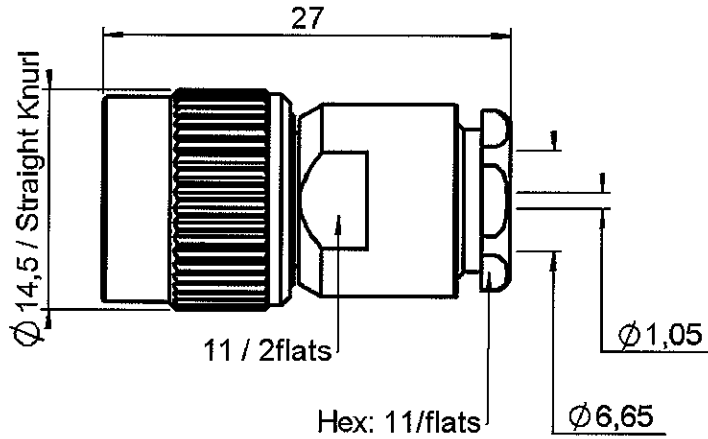


**STRAIGHT PLUG CLAMP TYPE**

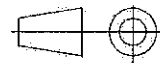
**R143.012.000**

**CABLE 6/75+93**

Series : TNC



All dimensions are in mm.



COMPONENTS	MATERIALS	PLATINGS (µm)
BODY	BRASS	NICKEL 2
CENTER CONTACT	BRASS	GOLD 0.5 OVER NICKEL 2
OUTER CONTACT	-	-
INSULATOR	PTFE	-
GASKET	SILICONE RUBBER	-
OTHERS PARTS	BRASS	NICKEL 2
-	-	-
-	-	-

Issue : 0619 S

In the effort to improve our products, we reserve the right to make changes judged to be necessary.



**STRAIGHT PLUG CLAMP TYPE**

**R143.012.000**

**CABLE 6/75+93**

Series : TNC

**PACKAGING**

Standard	Unit	Other
1	-	Contact us

**SPECIFICATION**

**ELECTRICAL CHARACTERISTICS**

Impedance		<b>50</b> Ω
Frequency		<b>0-11</b> GHz
VSWR	<b>1.30 + 0,0000</b>	x F(GHz) Maxi
Insertion loss		<b>0.06</b> √F(GHz) dB Maxi
RF leakage	- (	<b>57</b> - F(GHz)) dB Maxi
Voltage rating		<b>500</b> Veff Maxi
Dielectric withstanding voltage		<b>1500</b> Veff mini
Insulation resistance		<b>5000</b> MΩ mini

**CABLE ASSEMBLY**

Stripping	a	b	c	d	e	f
mm	2,50	7,00	0,00	0,00	3,00	0,00

Assembly instruction : **Clamp 02**

Recommended cable(s)  
 RG 62  
 KX 6A  
 RG 59

Cable retention  
 - pull off **180** N mini  
 - torque **NA** N.cm

**MECHANICAL CHARACTERISTICS**

Center contact retention		
Axial force – Mating end	<b>NA</b>	N mini
Axial force – Opposite end	<b>27</b>	N mini
Torque	<b>NA</b>	N.cm mini

**TOOLING**

Part Number	Description	Hexagon
.	.	.

Recommended torque		
Mating	<b>NA</b>	N.cm
Panel nut	<b>NA</b>	N.cm
Clamp nut	<b>450</b>	N.cm
A/F clamp nut	<b>11,0000</b>	mm

Mating life	<b>500</b>	Cycles mini
Weight	<b>17,0730</b>	g

**OTHERS CHARACTERISTICS**

**ENVIRONMENTAL**

Operating temperature	<b>-65/+165</b>	°C
Hermetic seal	<b>NA</b>	Atm.cm3/s
Panel leakage	<b>NA</b>	

Issue : 0619 S

In the effort to improve our products, we reserve the right to make changes judged to be necessary.



**RADIALL®**