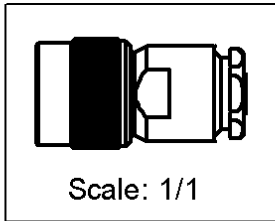
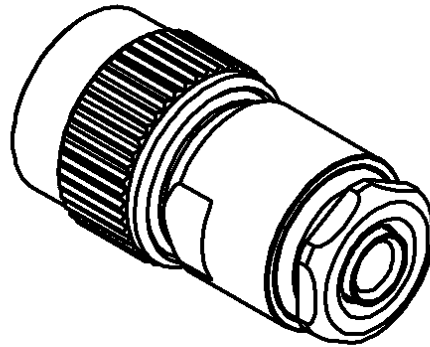
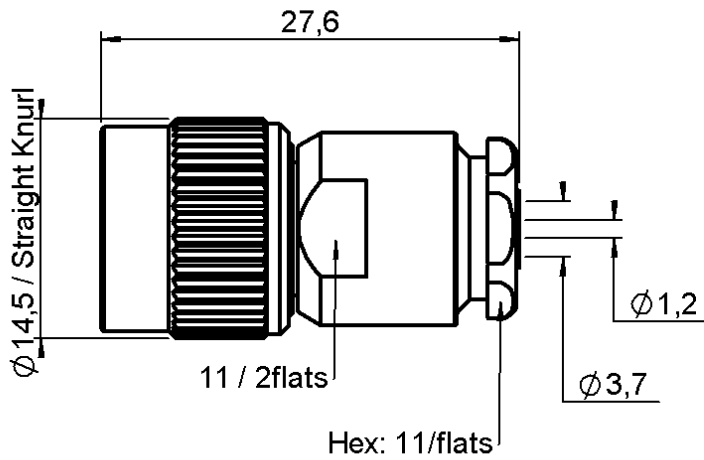


STRAIGHT PLUG CLAMP TYPE

R143.052.000

CABLE .141

Series : TNC



All dimensions are in mm.



| COMPONENTS | MATERIALS | PLATINGS (µm) |
|----------------|-----------------|------------------------|
| BODY | BRASS | NICKEL 2 |
| CENTER CONTACT | BRASS | GOLD 0.5 OVER NICKEL 2 |
| OUTER CONTACT | - | - |
| INSULATOR | PTFE | - |
| GASKET | SILICONE RUBBER | - |
| OTHERS PARTS | BRASS | NICKEL 2 |
| - | - | - |
| - | - | - |

Issue : 0245 R

In the effort to improve our products, we reserve the right to make changes judged to be necessary.



STRAIGHT PLUG CLAMP TYPE

R143.052.000

CABLE .141

Series : TNC

PACKAGING

| Standard | Unit | Other |
|----------|------|-------------------|
| 1 | - | Contact us |

SPECIFICATION

ELECTRICAL CHARACTERISTICS

| | | | |
|---------------------------------|---------------|--------------|--------------------------|
| Impedance | | 50 | Ω |
| Frequency | | 0-11 | GHz |
| VSWR | 1.30 + | 0.000 | x F(GHz) Maxi |
| Insertion loss | | 0.06 | \sqrt{F} (GHz) dB Maxi |
| RF leakage | - (| 57 | - F(GHz)) dB Maxi |
| Voltage rating | | 500 | Veff Maxi |
| Dielectric withstanding voltage | | 1500 | Veff mini |
| Insulation resistance | | 5000 | M Ω mini |

CABLE ASSEMBLY

| Stripping | a | b | c | d | e | f |
|-----------|------|------|------|------|------|------|
| mm | 5.20 | 0.00 | 0.00 | 0.00 | 0.00 | 0.00 |

Assembly instruction : **Clamp 04**

Recommended cable(s)
RG 402
KS 2

Cable retention
- pull off **270** N mini
- torque **NA** N.cm

MECHANICAL CHARACTERISTICS

| | | |
|----------------------------|-----------|-----------|
| Center contact retention | | |
| Axial force – Mating end | NA | N mini |
| Axial force – Opposite end | NA | N mini |
| Torque | NA | N.cm mini |

TOOLING

| Part Number | Description | Hexagon |
|-------------|-------------|---------|
| . | . | . |

| | | |
|--------------------|---------------|------|
| Recommended torque | | |
| Mating | NA | N.cm |
| Panel nut | NA | N.cm |
| Clamp nut | 450 | N.cm |
| A/F clamp nut | 11.000 | mm |

| | | |
|-------------|---------------|-------------|
| Mating life | 500 | Cycles mini |
| Weight | 19.765 | g |

OTHERS CHARACTERISTICS

ENVIRONMENTAL

| | | |
|-----------------------|-----------------|--------------|
| Operating temperature | -65/+105 | $^{\circ}$ C |
| Hermetic seal | NA | Atm.cm3/s |
| Panel leakage | NA | |

Issue : 0245 R

In the effort to improve our products, we reserve the right to make changes judged to be necessary.

