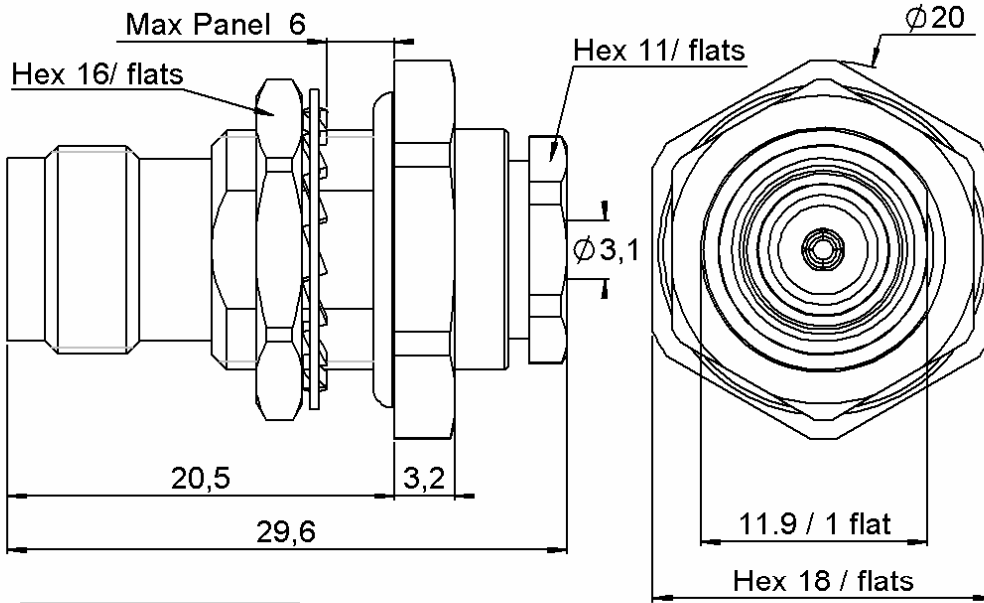


STRAIGHT BULKHEAD JACK PANNEL SEAL

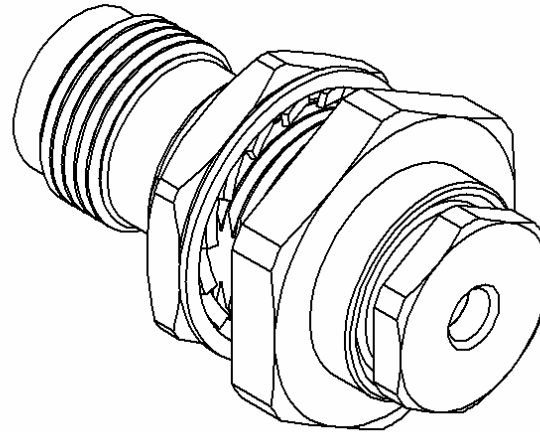
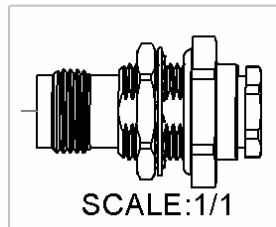
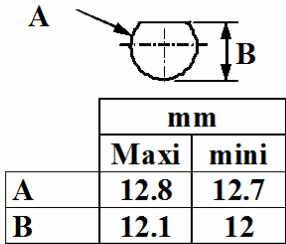
REAR MOUNT CLAMP TYPE - CABLE 2.6/50

R143.324.000

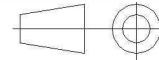
Series : TNC



PANEL CUT OUT



All dimensions are in mm.



| COMPONENTS | MATERIALS | PLATING (µm) |
|----------------|------------------|------------------------|
| BODY | BRASS | NICKEL 2 |
| CENTER CONTACT | BERYLLIUM COPPER | GOLD 0.5 OVER NICKEL 2 |
| OUTER CONTACT | - | - |
| INSULATOR | PTFE | - |
| GASKET | SILICONE RUBBER | - |
| OTHERS PARTS | BRASS | NICKEL 2 |
| - | - | - |
| - | - | - |

Issue : 1105 V

In the effort to improve our products, we reserve the right to make changes judged to be necessary.



STRAIGHT BULKHEAD JACK PANNEL SEAL

R143.324.000

REAR MOUNT CLAMP TYPE - CABLE 2.6/50

Series : TNC

PACKAGING

| Standard | Unit | Other |
|------------|-------------------|-------------------|
| 100 | 'W' option | Contact us |

SPECIFICATION

ELECTRICAL CHARACTERISTICS

| | | |
|---------------------------------|----------------|-----------------------------|
| Impedance | | 50 Ω |
| Frequency | | 0-11 GHz |
| VSWR | 1.30* + | 0,0000 x F(GHz) Maxi |
| Insertion loss | | 0.06 √F(GHz) dB Maxi |
| RF leakage | - (| 57 - F(GHz)) dB Maxi |
| Voltage rating | | 335 Veff Maxi |
| Dielectric withstanding voltage | | 1000 Veff mini |
| Insulation resistance | | 5000 MΩ mini |

CABLE ASSEMBLY

| Stripping | a | b | c | d | e | f |
|-----------|------|------|------|------|------|------|
| mm | 4,00 | 2,00 | 9,00 | 0,00 | 5,00 | 0,00 |

Assembly instruction : **Clamp 01**

Recommended cable(s)

RG 188
RG 187
KX 22A
RG 316
RG 174

Characteristics indicated on this data sheet are those that can be achieved with the highest performance cable. Intrinsic limitations of the cable may diminish the performance of the assembly

Cable retention

- pull off **110** N mini
- torque **NA** N.cm

MECHANICAL CHARACTERISTICS

| | | |
|----------------------------|-----------|-----------|
| Center contact retention | | |
| Axial force – Mating end | 27 | N mini |
| Axial force – Opposite end | 27 | N mini |
| Torque | NA | N.cm mini |

TOOLING

| Part Number | Description | Hexagon |
|-------------|-------------|---------|
| . | . | . |

| | | |
|--------------------|----------------|------|
| Recommended torque | | |
| Mating | NA | N.cm |
| Panel nut | 370 | N.cm |
| Clamp nut | 450 | N.cm |
| A/F clamp nut | 11,0000 | mm |

| | | |
|-------------|----------------|-------------|
| Mating life | 500 | Cycles mini |
| Weight | 23,2000 | g |

OTHER CHARACTERISTICS

*1.40 -> 4 GHz
1.80 -> 4 to 11 GHz

ENVIRONMENTAL

| | | |
|-----------------------|-----------------|-----------|
| Operating temperature | -65/+165 | ° C |
| Hermetic seal | NA | Atm.cm3/s |
| Panel leakage | NA | |

Issue : 1105 V

In the effort to improve our products, we reserve the right to make changes judged to be necessary.

