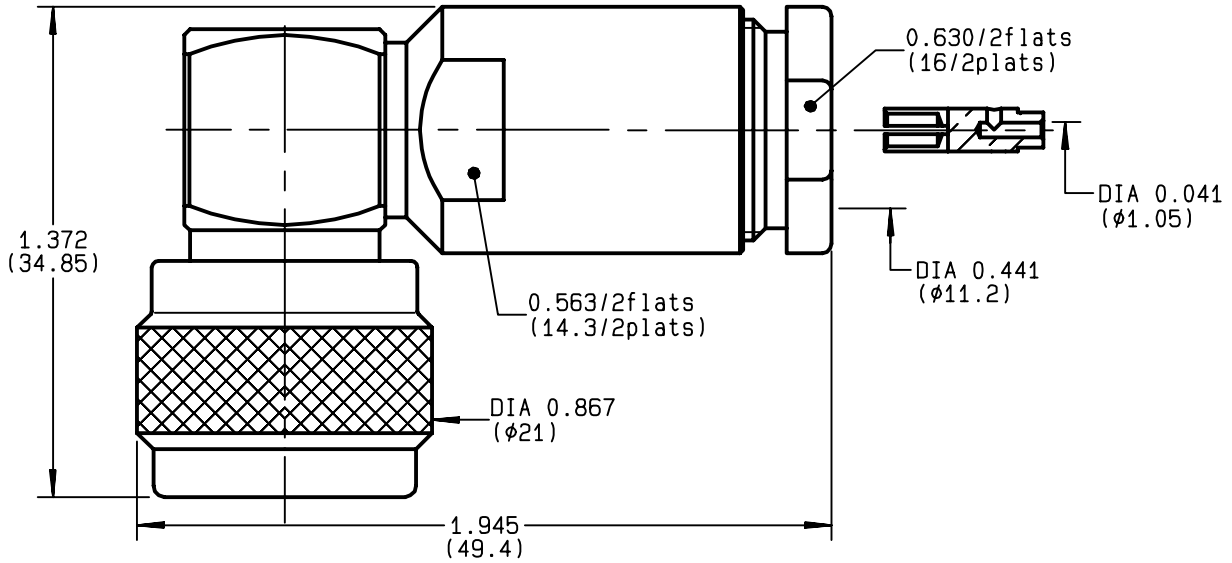


**RIGHT ANGLE PLUG CLAMP TYPE
CABLE 5/50 S+D**

R161.156.000
SERIES N



NOMINAL IMPEDANCE	50 Ω	CABLES : KX 15
FREQUENCY RANGE	0-11 GHz	KX 23
TEMPERATURE RATING	-55/+155 °C	RG 141
V.S.W.R	1.50 + x F(GHz)Maxi	RG 142
RF INSERTION LOSS	0.07 √F(GHz) dB Maxi	RG 142 FTX
VOLTAGE RATING	850 Veff Maxi	RG 223
DIELECTRIC WITHSTANDING VOLTAGE	1500 Veff Mini	RG 400
INSULATION RESISTANCE	5000 MΩMini	RG 58
HERMETIC SEAL	NA Atm.cm ³ /s	OTHERS CHARACTERISTICS
LEAKAGE (pressurized only)	NA	CABLE RETENTION 150 N Mini
MECHANICAL DURABILITY	500 Cycles	CENTER CONTACT RETENTION
WEIGHT	81.4 gr	Axial force - mating end 27 N Mini
SPECIFICATION	DHS 795.324	Axial force - opposite end 27 N Mini
		Torque NA cm.N Mini
		RECOMMENDED TORQUES
		Mating 130 cm.N
		Panel nut NA cm.N
		Clamp nut 450 cm.N

CONNECTOR PARTS	MATERIALS	FINISH	(all values are given in micrometers)
BODY	BRASS	BBR 2	
OUTER CONTACT	BRASS	BBR 2	
CENTER CONTACT	BRASS	GOLD 0.5 OVER NICKEL 2	
INSULATOR	PTFE	-	
GASKET	SILICONE RUBBER	-	
OTHERS PIECES	BRASS	BBR 2	

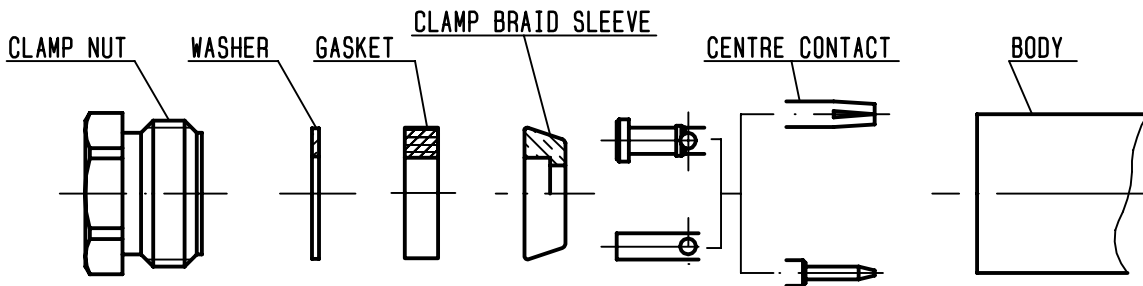
BONOMINI	ISSUE	CREATION DATE	FILE PART-NUMBER	
	0031S00	18/02/1993	EPC 96-07	

The information given here is subject to change without notice. Design changes may be in order to improve the product.



R161.156.000

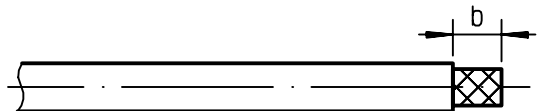
ISSUE **0031S00** SERIES **N**



①

Strip the cable .

-
-
-



Stripping	a	b	c	d	e
inch	0.157	0.335	0	0	0.039
mm	4	8.5			1

②

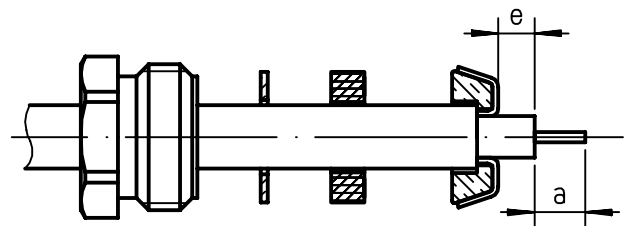
Slide the clamp nut , the washer and the gasket onto the cable .

Slide clamp braid sleeve over braid .

Fold back braid and trim off surplus braid .

Trim back dielectric as shown .

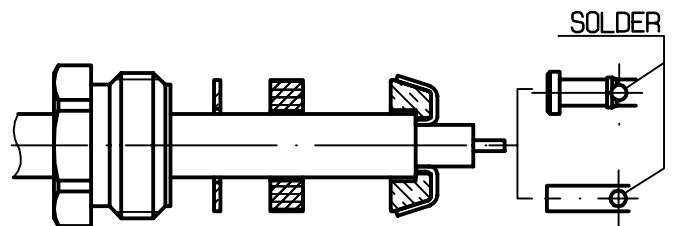
-
-
-



③

Solder the cable inner conductor into centre contact .

-
-
-
-
-



④

Screw sub-assembly into the connector body .

(recommended coupling torque 44.25 in.lb)

-
-

