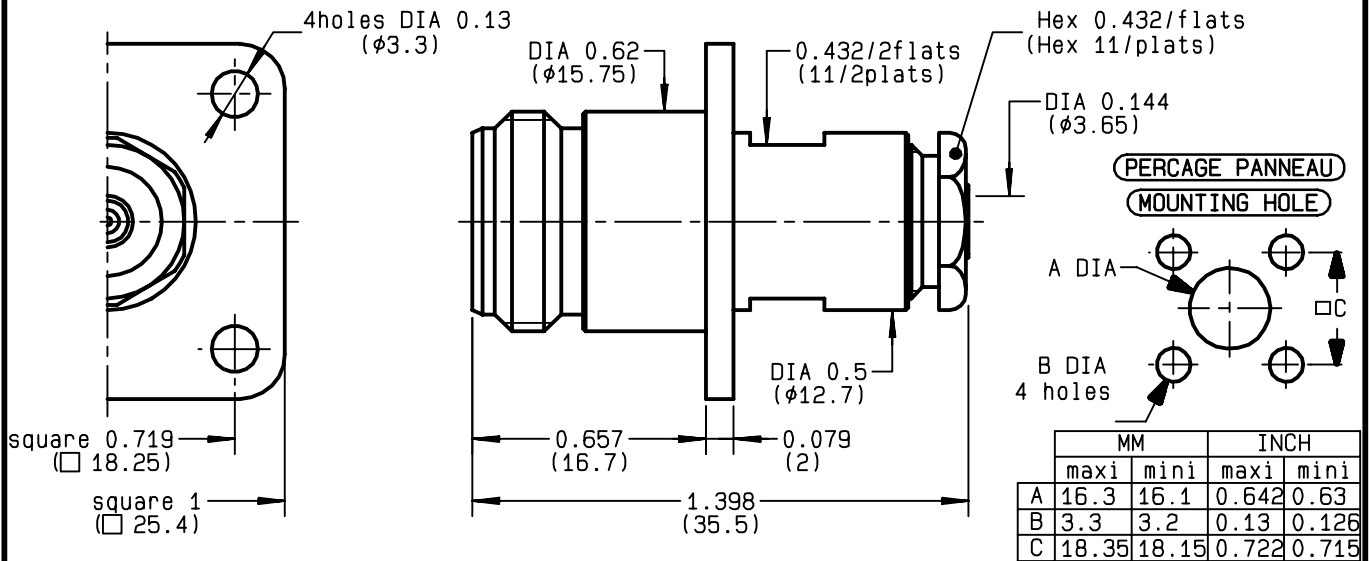


**STRAIGHT SQUARE FLANGE JACK  
CLAMP TYPE - CABLE .141**

**R161.277.000**  
**SERIES N**



NOMINAL IMPEDANCE	<b>50</b> Ω
FREQUENCY RANGE	<b>0-11</b> GHz
TEMPERATURE RATING	<b>-55/+105</b> °C
V.S.W.R	<b>1.15</b> + x F(GHz)Maxi
RF INSERTION LOSS	<b>0.048</b> √F(GHz) dB Maxi
VOLTAGE RATING	<b>335</b> Veff Maxi
DIELECTRIC WITHSTANDING VOLTAGE	<b>1000</b> Veff Mini
INSULATION RESISTANCE	<b>5000</b> MΩMini
HERMETIC SEAL	<b>NA</b> Atm.cm <sup>3</sup> /s
LEAKAGE (pressurized only)	<b>NA</b>
MECHANICAL DURABILITY	<b>500</b> Cycles
WEIGHT	<b>37.5</b> gr
SPECIFICATION	

CABLES : **BELN 1673A**  
**HC80000-3**  
**KS 2**  
**RG 402**  
**SUCOFORM 141**

OTHERS CHARACTERISTICS

CABLE RETENTION	<b>500</b>	N Mini
CENTER CONTACT RETENTION		
Axial force - mating end	<b>NA</b>	N Mini
Axial force - opposite end	<b>NA</b>	N Mini
Torque	<b>NA</b>	cm.N Mini
RECOMMENDED TORQUES		
Mating	<b>NA</b>	cm.N
Panel nut	<b>NA</b>	cm.N
Clamp nut	<b>450</b>	cm.N

CONNECTOR PARTS	MATERIALS	FINISH	(all values are given in micrometers)
BODY	BRASS	BBR 2	
OUTER CONTACT	BRASS	BBR 2	
CENTER CONTACT	BERYLLIUM COPPER	GOLD 0.5 OVER NICKEL 2	
INSULATOR	PTFE	-	
GASKET	-	-	
OTHERS PIECES	BRASS	BBR 2	

ISSUE	CREATION DATE	FILE PART-NUMBER
<b>9818T00</b>	<b>15/10/1992</b>	<b>EPC 96-07</b>



**RADIALL**®

BONMINI

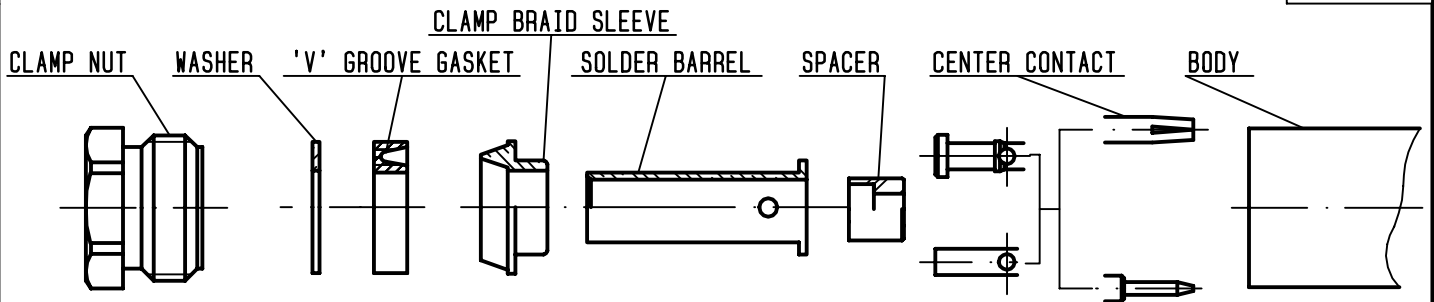
The information given here is subject to change without notice.  
Design changes may be in order to improve the product .

*Connect to the future*



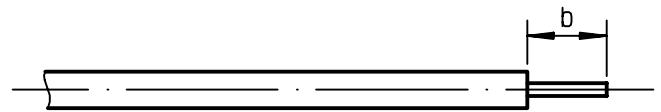
**R161.277.000**

ISSUE **9818T00** SERIES **N**



①

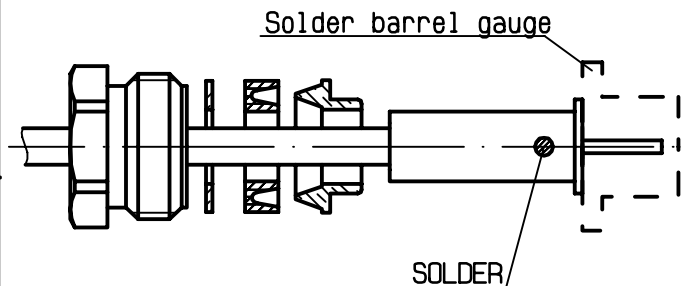
To take the tool kit : R 282 125 010 .  
Strip the dielectric of the cable .  
Stripping tool cable : R 282 053 .  
Trim cable centre conductor .  
Trimmer : R 282 066 010.  
Clean the cable .



Stripping	a	b	c	d	e
inch	0	0.177 0	0	0	0
mm		4.5			

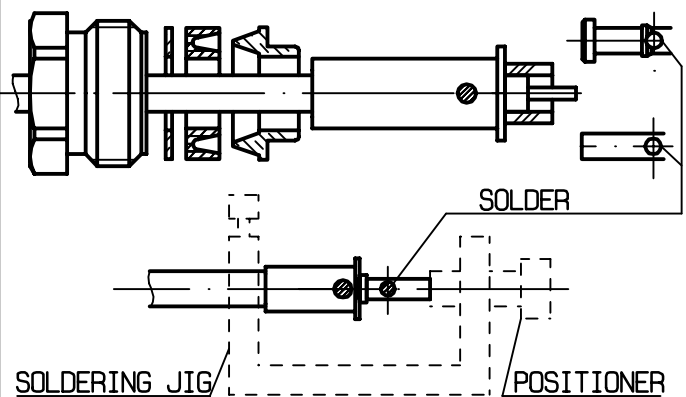
②

Slide the clamp nut , the washer , the 'V'groove gasket , the clamp braid sleeve and the solder barrel onto the cable .  
Position solder barrel flush against solder barrel gauge and solder to the cable or align with outer the conductor (b) .  
Solder barrel gauge : R 282 744 320 .



③

Once cooled , remove the solder barrel gauge.  
Cut the dielectric flush to clamp braid sleeve.  
Slide the insulator onto the cable inner conductor .  
Slide the centre contact onto the cable inner conductor against insulator .  
Fit the cable assembly onto the soldering jig R 282 740 030 and the positioner R 282 744 260 .  
Tighten cable and solder the centre contact .



④

Screw sub-assembly into the connector body .  
( recommended coupling torque 22.12 in.lb )

