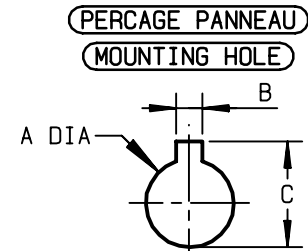
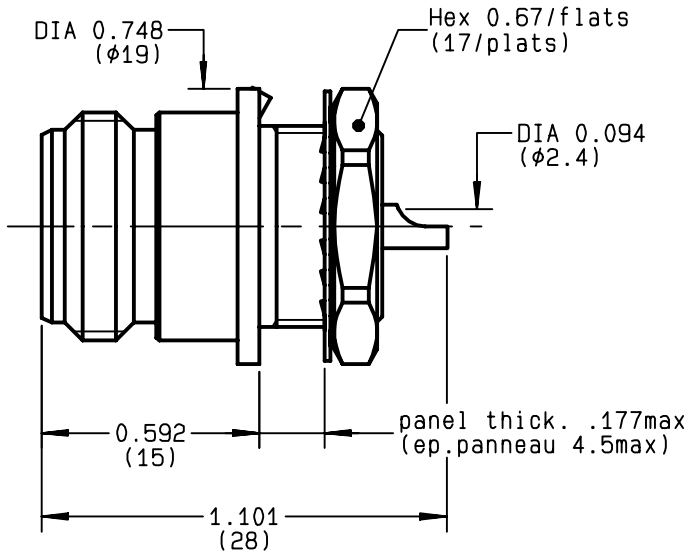


**BULKHEAD JACK RECEPTACLE FRONT MOUNTING
WITH SOLDER POT CONTACT**

R161.570.000
SERIES N



	MM		INCH	
	maxi	mini	maxi	mini
A	14.3	14.1	0.563	0.56
B	2.3	2.2	0.091	0.087
C	17	16.8	0.669	0.661

NOMINAL IMPEDANCE	50	Ω
FREQUENCY RANGE	0-11	GHz
TEMPERATURE RATING	-55/+155	°C
V.S.W.R	1.04 + .004 x F(GHz)	Maxi
RF INSERTION LOSS	0.015 √F(GHz)	dB Maxi
VOLTAGE RATING	1400	Veff Maxi
DIELECTRIC WITHSTANDING VOLTAGE	2500	Veff Mini
INSULATION RESISTANCE	5000	MΩMini
HERMETIC SEAL	NA	Atm.cm ³ /s
LEAKAGE (pressurized only)	NA	
MECHANICAL DURABILITY	500	Cycles
WEIGHT	25.5	gr
SPECIFICATION		

CABLES :

OTHERS CHARACTERISTICS

CABLE RETENTION	NA	N Mini
CENTER CONTACT RETENTION		
Axial force - mating end	27	N Mini
Axial force - opposite end	27	N Mini
Torque	NA	cm.N Mini
RECOMMENDED TORQUES		
Mating	NA	cm.N
Panel nut	250	cm.N
Clamp nut	NA	cm.N

CONNECTOR PARTS	MATERIALS	FINISH	(all values are given) in micrometers
BODY	BRASS	BBR 2	
OUTER CONTACT	BRASS	BBR 2	
CENTER CONTACT	BERYLLIUM COPPER	GOLD 0.5 OVER NICKEL 2	
INSULATOR	PTFE	-	
GASKET		-	
OTHERS PIECES	BRASS	BBR 2	

BONOMINI

ISSUE 9726N00	CREATION DATE 24/03/1993	FILE PART-NUMBER
-------------------------	------------------------------------	------------------



RADIALL®

The information given here is subject to change without notice.
Design changes may be in order to improve the product .

Connect to the future