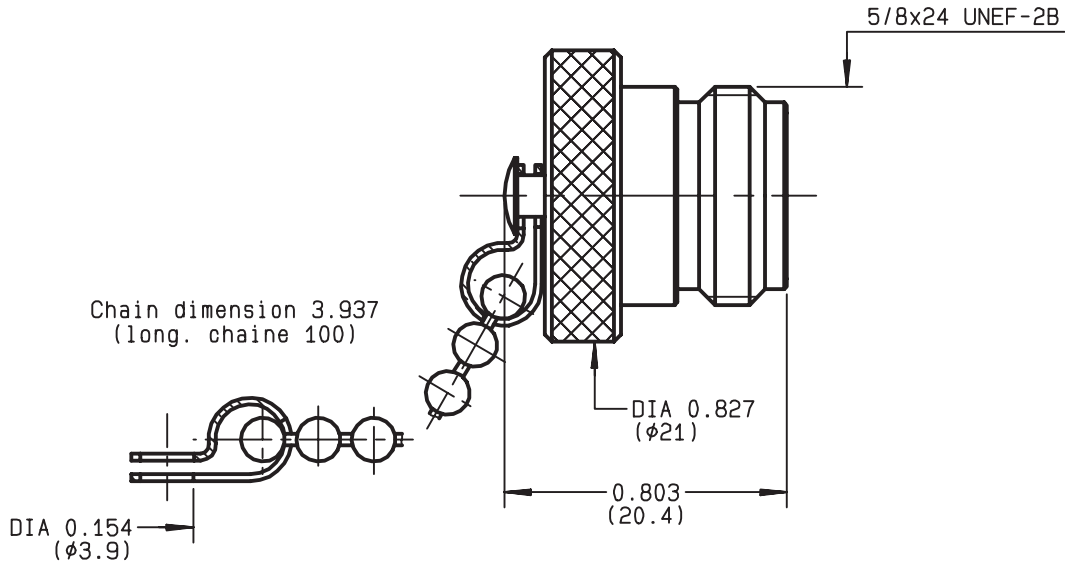


**FEMALE PROTECTIVE CAP
WITH CHAIN**

R161.841.000
SERIES N



NOMINAL IMPEDANCE	NA	Ω	CABLES :			
FREQUENCY RANGE	NA	GHz				
TEMPERATURE RATING	-55/+155	°C				
V.S.W.R	NA +	x F(GHz)Maxi				
RF INSERTION LOSS	NA	√F(GHz) dB Maxi				
VOLTAGE RATING	NA	Veff Maxi				
DIELECTRIC WITHSTANDING VOLTAGE	NA	Veff Mini				
INSULATION RESISTANCE	NA	M ΩMini		OTHERS CHARACTERISTICS		
HERMETIC SEAL	NA	Atm.cm ³ /s		CABLE RETENTION	NA	N Mini
LEAKAGE (pressurized only)	NA			CENTER CONTACT RETENTION		
MECHANICAL DURABILITY	500	Cycles	Axial force - mating end	NA	N Mini	
WEIGHT	29.5	gr	Axial force - opposite end	NA	N Mini	
SPECIFICATION			Torque	NA	cm.N Mini	
			RECOMMENDED TORQUES			
			Mating	NA	cm.N	
			Panel nut	NA	cm.N	
			Clamp nut	NA	cm.N	

CONNECTOR PARTS	MATERIALS	FINISH	(all values are given) in micrometers
BODY	BRASS	BBR 2	
OUTER CONTACT			
CENTER CONTACT			
INSULATOR		-	
GASKET		-	
OTHERS PIECES	BRASS	BBR 2	

ISSUE 9726U00
CREATION DATE 17/06/1993
FILE PART-NUMBER



BONOMINI

The information given here is subject to change without notice.
Design changes may be in order to improve the product .

Connect to the future