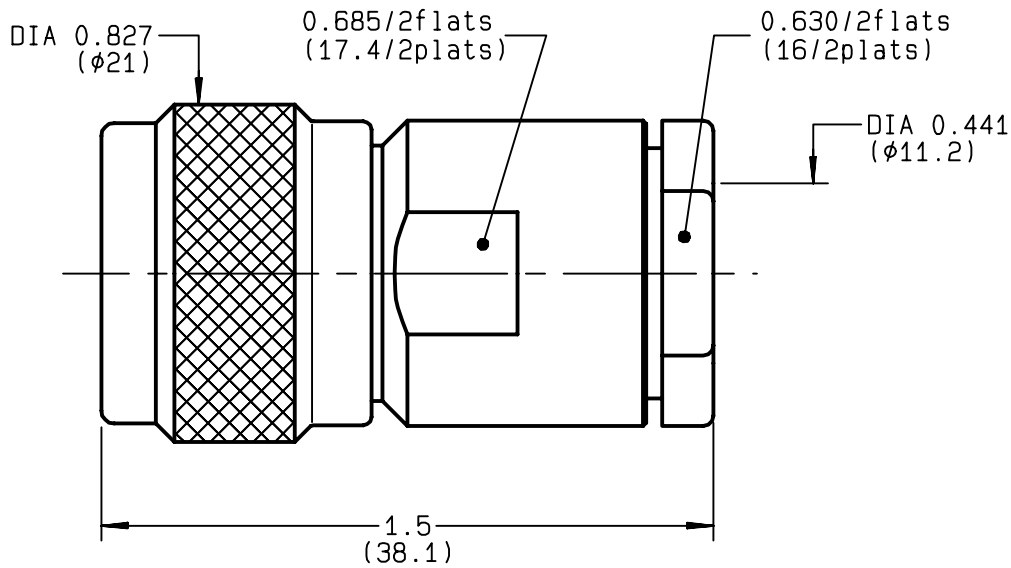


**STRAIGHT PLUG CLAMP TYPE  
CABLE 10+11/75**

**R162.017.000**  
**SERIES N 75**



NOMINAL IMPEDANCE	<b>75</b> Ω	CABLES : <b>KX 8</b>
FREQUENCY RANGE	<b>0-1.5</b> GHz	<b>RG 11</b>
TEMPERATURE RATING	<b>-55/+155</b> °C	<b>RG 144</b>
V.S.W.R	<b>1.06</b> + x F(GHz)Maxi	<b>RG 216</b>
RF INSERTION LOSS	<b>0.15</b> √F(GHz) dB Maxi	
VOLTAGE RATING	<b>1400</b> Veff Maxi	
DIELECTRIC WITHSTANDING VOLTAGE	<b>2500</b> Veff Mini	
INSULATION RESISTANCE	<b>5000</b> MΩMini	OTHERS CHARACTERISTICS
HERMETIC SEAL	<b>NA</b> Atm.cm <sup>3</sup> /s	CABLE RETENTION <b>300</b> N Mini
LEAKAGE (pressurized only)	<b>NA</b>	CENTER CONTACT RETENTION
MECHANICAL DURABILITY	<b>500</b> Cycles	Axial force - mating end <b>NA</b> N Mini
WEIGHT	<b>49.1</b> gr	Axial force - opposite end <b>NA</b> N Mini
SPECIFICATION		Torque <b>NA</b> cm.N Mini
		RECOMMENDED TORQUES
		Mating <b>130</b> cm.N
		Panel nut <b>NA</b> cm.N
		Clamp nut <b>800</b> cm.N

CONNECTOR PARTS	MATERIALS	FINISH	(all values are given ) in micrometers
BODY	BRASS	BBR 2	
OUTER CONTACT	BRASS	BBR 2	
CENTER CONTACT	BRASS	GOLD 0.5 OVER NICKEL 2	
INSULATOR	SILICONE RUBBER	-	
GASKET	PTFE	-	
OTHERS PIECES	BRASS	BBR 2	

ISSUE	CREATION DATE	FILE PART-NUMBER
<b>9813D01</b>	<b>26/10/1993</b>	<b>EPC 96-07</b>



BONOMINI

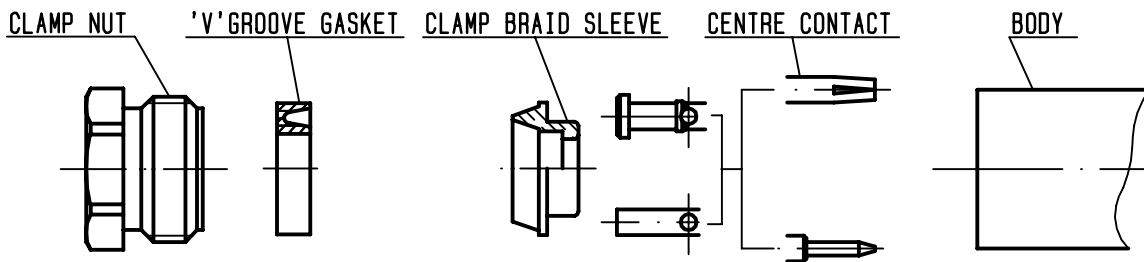
The information given here is subject to change without notice.  
Design changes may be in order to improve the product .

*Connect to the future*



**R162.017.000**

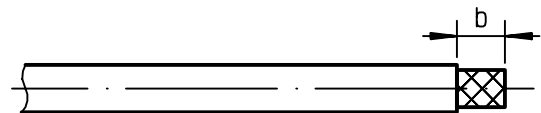
ISSUE **9813D01** SERIES **N 75**



①

Strip the cable .

-  
-  
-  
-



Stripping	a	b	c	d	e
inch	0.197	0.335	0	0	0.059
mm	5	8.5			1.5

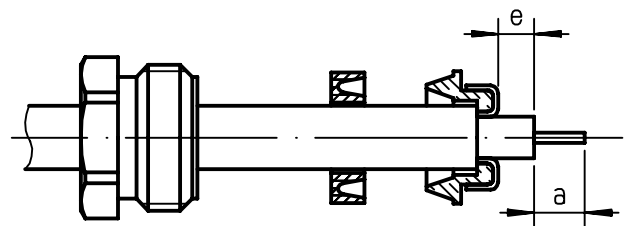
②

Slide the clamp nut and the 'V' groove gasket onto the cable .

Slide clamp braid sleeve over braid .  
Fold back braid and trim off surplus braid .

Trim back dielectric as shown .

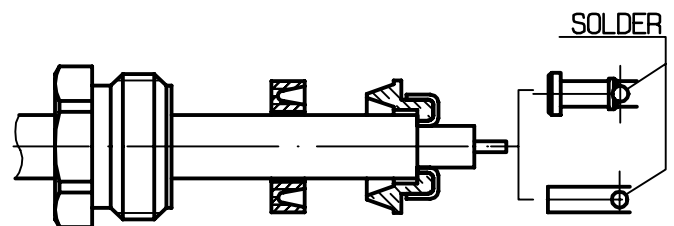
-



③

Solder the cable inner conductor into centre contact .

-  
-  
-  
-



④

Screw sub-assembly into the connector body .

( recommended coupling torque 70.87 in.lb )

-  
-

