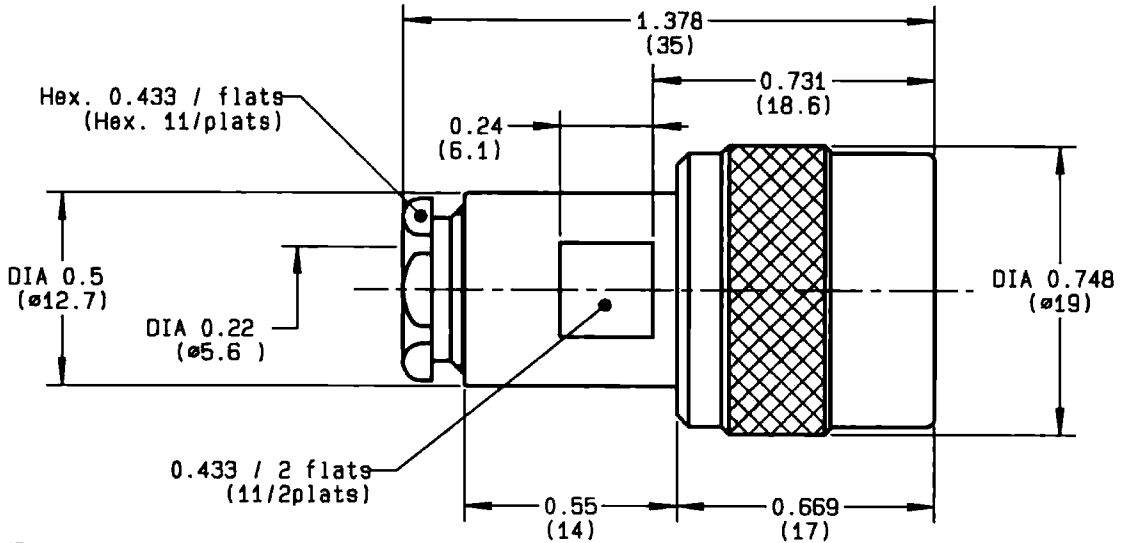


STRAIGHT CABLE PLUG-CLAMP TYPE
CABLE 5/50

Series : C

1 / 2



CABLES : -

CHARACTERISTICS

NOMINAL IMPEDANCE	50 Ω
FREQUENCY RANGE	0-11 GHz
TEMPERATURE RATING	-55/+155 °C
VSWR	TBD + 0 x F(GHz)Maxi
RF INSERTION LOSS	TBD \sqrt{F} (GHz) dB Maxi
VOLTAGE RATING	500 V _{rms} Max
DIELECTRIC WITHSTANDING VOLTAGE	1500 V _{rms} min
INSULATION RESISTANCE	5000 M Ω min
HERMETIC SEAL	- cc/s - Atm.cm3/s
LEAKAGE (pressurized only)	- psi - MPa
WEIGHT	0 Oz - g

STANDARDISATION

CABLE RETENTION	3.98 40	lb min N
CENTER CONTACT RETENTION		
Axial force - mating end	6 06 27	lb min N
Axial force - opposite end	6 06 27	lb min N
Torque (Min)	0 NA	Inch.oz cm.N
RECOMMENDED TORQUES		
Mating	0 VA	Inch. lb cm.N
Panel nut	0 NA	Inch. lb cm.N
Clamp nut	39.82 450	Inch. lb cm.N

CONSTRUCTION

CONNECTOR PARTS	MATERIALS	FINISH
BODY	BRASS	NICKEL
OUTER CONTACT	BRONZE	NICKEL
CENTER CONTACT	BRASS	GOLD
INSULATOR	PTFE	-
-	-	-
-	-	-
-	-	-
-	-	-
-	-	-

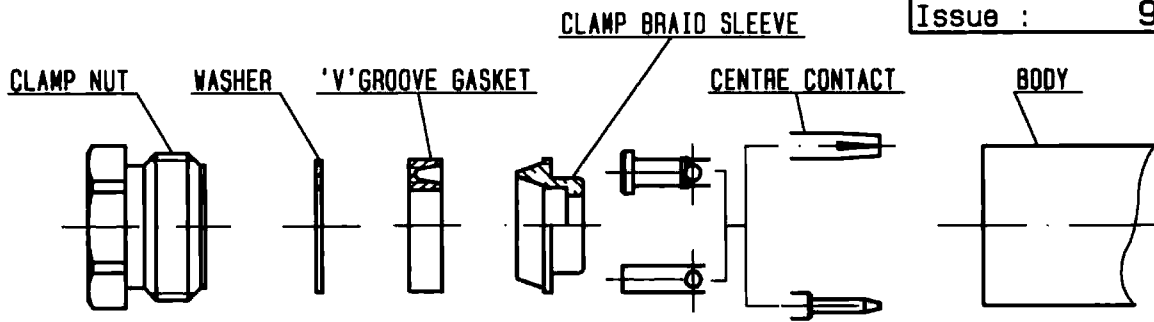
ISSUE	REVISION No	DESCRIPTION	BY	DATE
-	-	-	-	-
-	-	-	-	-
-	-	-	-	-
-	-	-	-	-

Initiated on 16/09/93

The information given here is subject to change without notice. Design changes may be in order to improve the product.

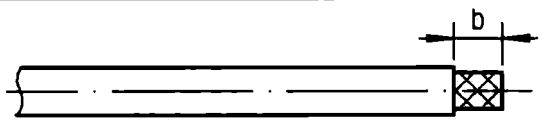


Approval by GAUTIER



①

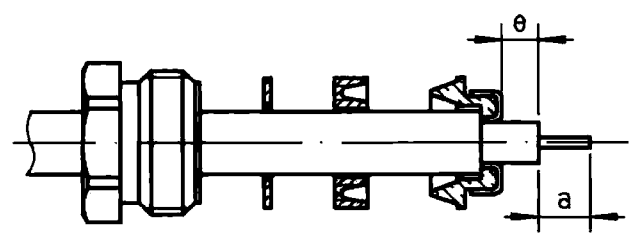
Strip the cable .



Stripping	a	b	c	d	e
inch	0.157	0.354	0	0	0.138
mm	4	9	-	-	3.5

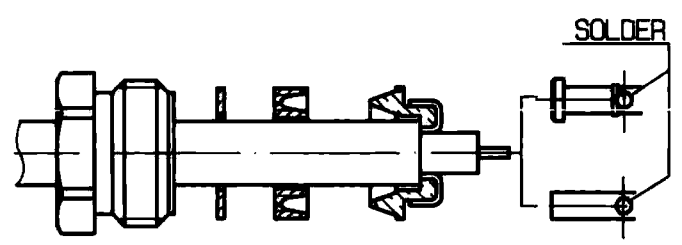
②

Slide the clamp nut , the washer and the 'V'groove gasket onto the cable .
 Slide clamp braid sleeve over braid .
 Fold back braid and trim off surplus braid .
 Trim back dielectric as shown .



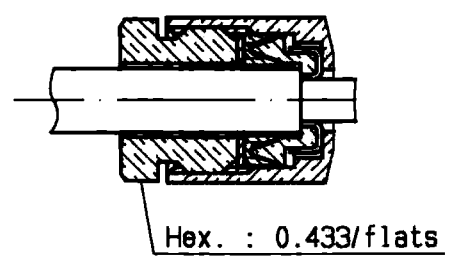
③

Solder the cable inner conductor into centre contact .



④

Screw sub-assembly into the connector body .
 (recommended coupling torque 39.82 in.lb)



PE 02 4112 0211