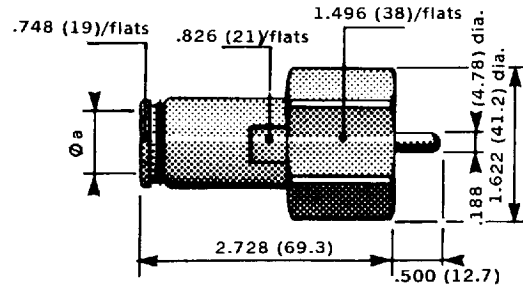


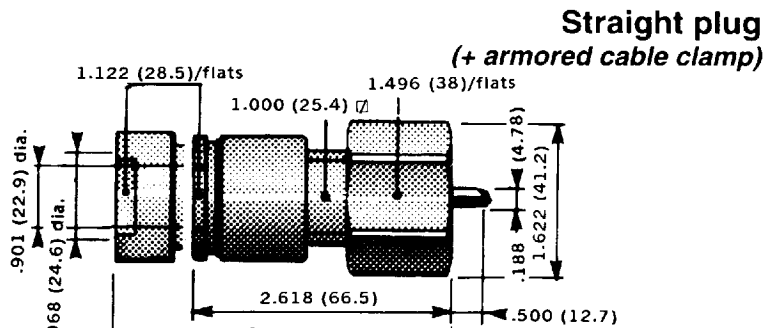
CABLE CLAMP TYPE FOR FLEXIBLE CABLE

Straight plugs

CABLE GROUP	10 + 11/50	11/50
PART NUMBER	R 181 020 ●	R 181 021 ●
a Dia.	.440 (11.2)	.480 (12.2)
Insulator	PTFE	
Gasket	Neoprene	Silicone rubber
Assembly code	M08 page 19	

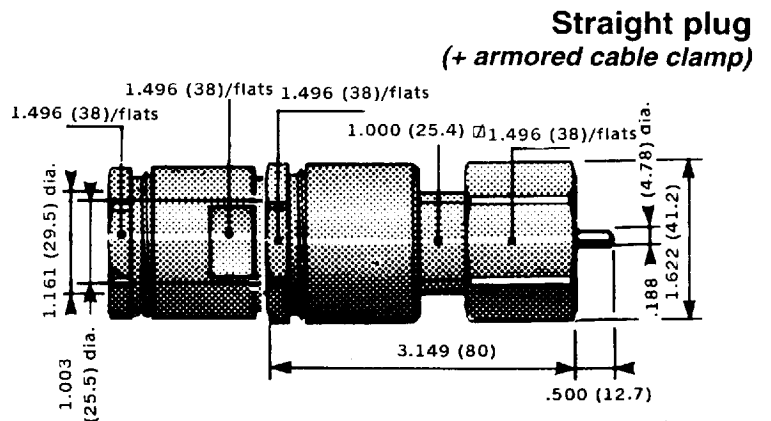


CABLE GROUP	22/50	22/50 armored
PART NUMBER	R 181 029	R 181 029 + R 280 129 ●
Gasket	Silicone rubber	
Assembly code	M09 page 20	M10 page 20

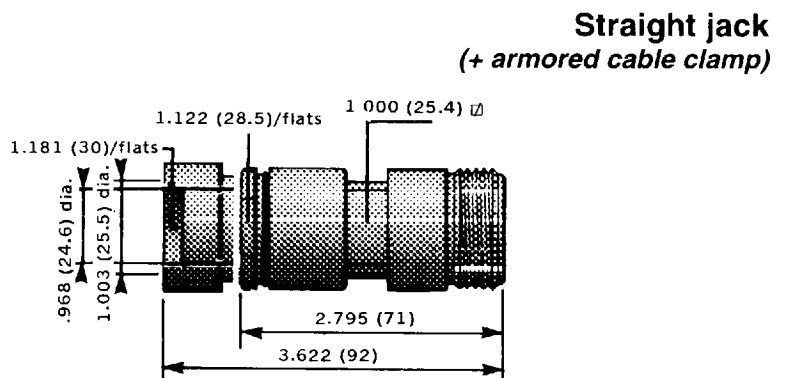


The center conductor and dielectric of the cable are used as center contact and insulator.

CABLE GROUP	22/50	22/50 armored
PART NUMBER	R 181 032 ●	R 181 032 ● + R 280 131
Insulator	Polyethylene	
Gasket	Silicone rubber	
Assembly code	M11 page 21	M12 page 22



CABLE GROUP	22/50	22/50 armored
PART NUMBER	R 181 209 ●	R 181 209 ● + R 280 129 ●
Insulator	Polyethylene	
Gasket	Silicone rubber	
Assembly code	M13 page 23	M14 page 23

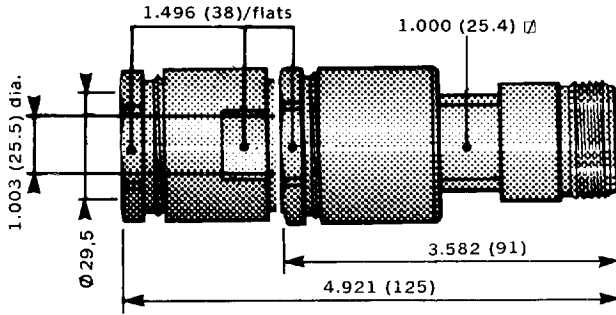


● Manufactured upon request. Please consult us.

LC

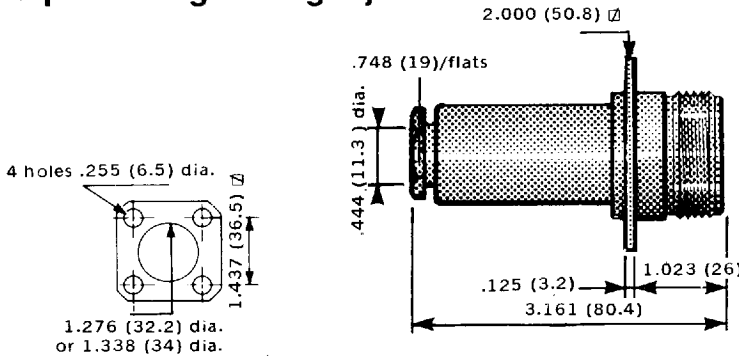
CABLE CLAMP TYPE FOR FLEXIBLE CABLE

Straight jack (+ armored cable clamp)



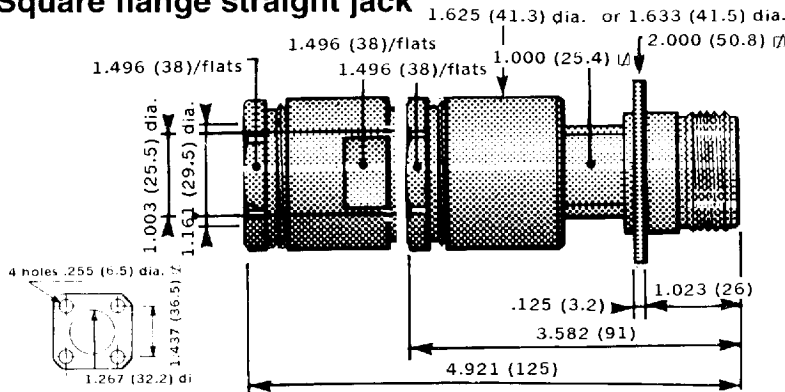
CABLE GROUP	22/50	22/50 armé
PART NUMBER	R 181 212 ●	R 181 212 ● + R 280 131
Insulator	Polyethylene	
Gasket	Neoprene	
Assembly code	M11 page 21	M12 page 22

Square flange straight jack



CABLE GROUP	10 + 11/50
PART NUMBER	R 181 256 ●
Insulator	PTFE
Gasket	Neoprene
Assembly code	M15 page 24

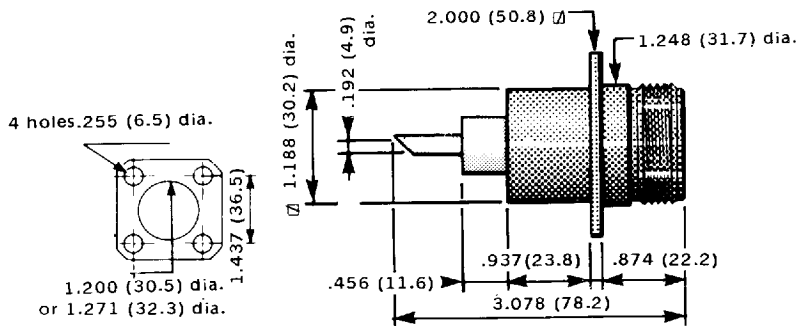
Square flange straight jack



CABLE GROUP	22/50	22/50 armé
PART NUMBER	R 181 262 ●	R 181 262 ● + R 280 131
Insulator	Polyethylene	
Gasket	Neoprene	
Assembly code	M11 page 21	M12 page 22

FLANGE MOUNT RECEPTACLE

Square flange straight jack (solder pot)



PART NUMBER	R 181 404
Insulator	PTFE

● Manufactured upon request. Please consult us.