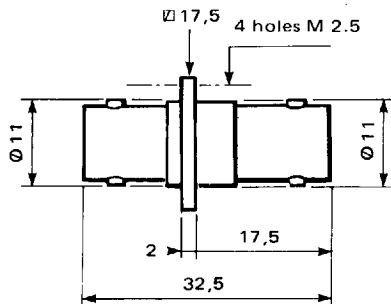
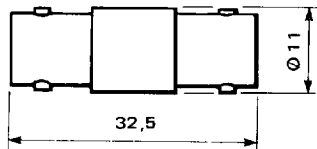
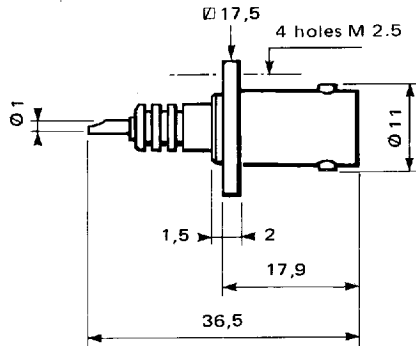
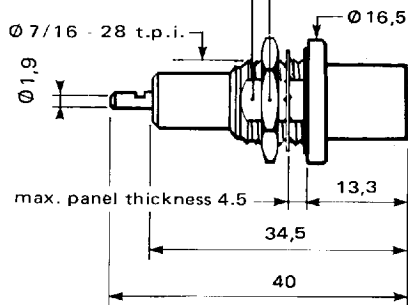
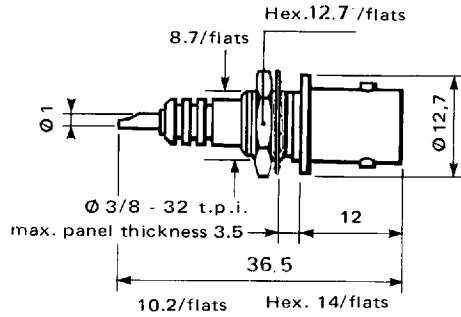


BNC.HT series

CODE No.	STYLE	Cable Group Ω		Assembly code	Panel Piercing	Weight (g)
----------	-------	-------------------------	--	---------------	----------------	------------

RECEPTACLES



R 316 553	Bulkhead mounting				d 28	8,5
R 316 603	Bulkhead mounting panel seal - Watertight : - 40°C + 70°C - at pressure : 3.5 bar max.				d 29	15
R 316 405	Square flange mounting Interchangeable with UG. 931/U				a 14	10

ADAPTORS

R 316 704	Straight female - female					11
R 316 714	Square flange female - female				a 14	19