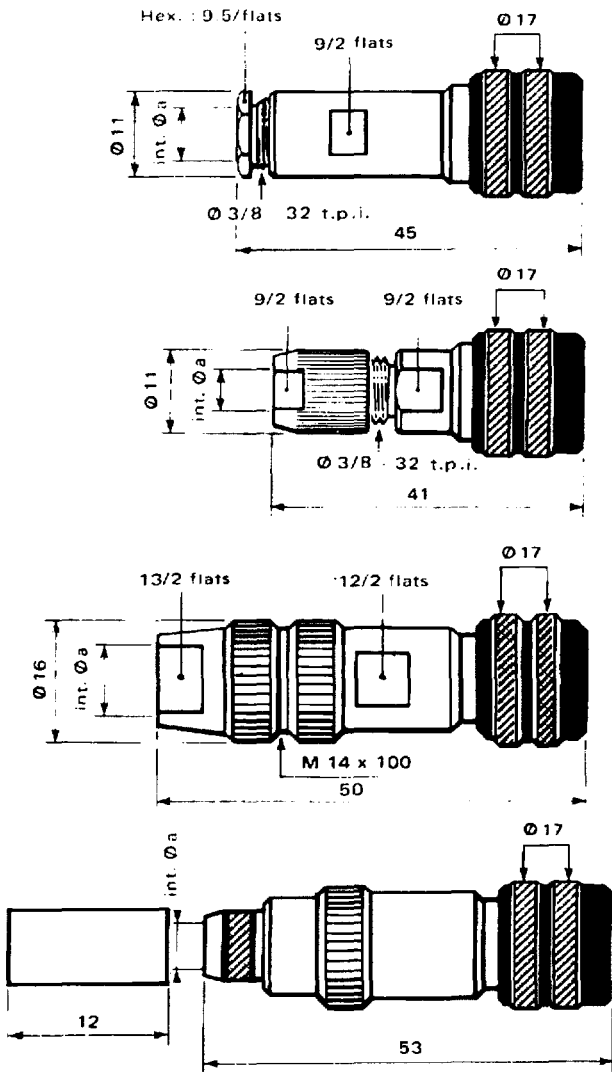


# mini QUICK.HT series

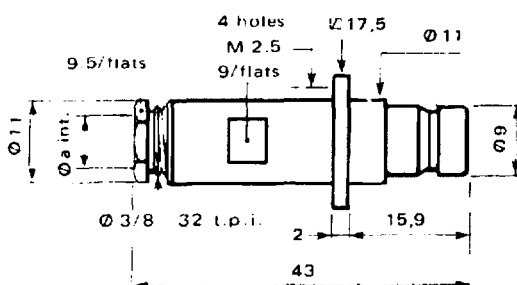
CODE No.	STYLE	Cable group $\Omega$	max. $\varnothing a$	Assembly code	Panel piercing	Weight (g)
----------	-------	----------------------	----------------------	---------------	----------------	------------

## STRAIGHT PLUGS



R 321 007	Cable clamp	5/50	5,4	K13-69		32
R 321 011	Cable clamp	6/75	6,4	k13-69		31
R 321 014*	Improved cable clamp	Filotex 17950	6,4	K56-70		33
R 321 020*	Improved cable clamp	10/50	11,2	K56-76		33
R 321 085*	Clamp	10/50	7,5	K43-75B		55

## STRAIGHT JACKS



R 321 257*	Square flange cable clamp	5/50	5,4	K13-69	a14	21
R 321 261*	Square flange cable clamp	Filotex 17950	6,4	K13-69	a14	20