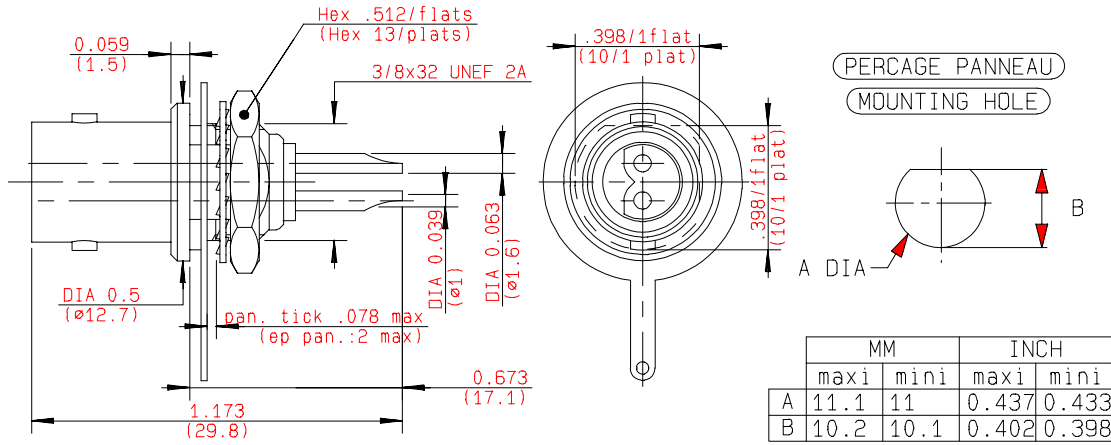


BULKEAD RECEPTACLE REAR FIXING

R605.550.000

Series : **BR2**



All dimensions are in mm.



COMPONENTS	MATERIALS	PLATINGS (µm)
BODY	BRASS	NICKEL 2
CENTER CONTACT	BERYLLIUM COPPER	SILVER 5
OUTER CONTACT	-	-
INSULATOR	POLYAMID 6/6 (NYLON)	-
GASKET	-	-
OTHERS PARTS	-	-
-	-	-
-	-	-

Issue : 0336 A

In the effort to improve our products, we reserve the right to make changes judged to be necessary.



BULKEAD RECEPTACLE REAR FIXING

R605.550.000

Series : **BR2**

PACKAGING

SPECIFICATION

Standard	Unit	Other
1	-	Contact us

ELECTRICAL CHARACTERISTICS

ENVIRONMENTAL

Impedance		50 Ω
Frequency		0-0.5 GHz
VSWR	- +	0.000 x F(GHz) Maxi
Insertion loss		- √F(GHz) dB Maxi
RF leakage	- (- F(GHz) dB Maxi
Voltage rating		- Veff Maxi
Dielectric withstanding voltage		1500 Veff mini
Insulation resistance		- MΩ mini

Operating temperature	-40/+100 ° C
Hermetic seal	- Atm.cm3/s
Panel leakage	-

OTHERS CHARACTERISTICS

Assembly instruction

Others :

MECHANICAL CHARACTERISTICS

Center contact retention		
Axial force – Mating end		- N mini
Axial force – Opposite end		- N mini
Torque		- N.cm mini
Recommended torque		
Mating		- N.cm
Panel nut		- N.cm
Mating life		0 Cycles mini
Weight		0.000 g

Issue : 0336 A

In the effort to improve our products, we reserve the right to make changes judged to be necessary.

