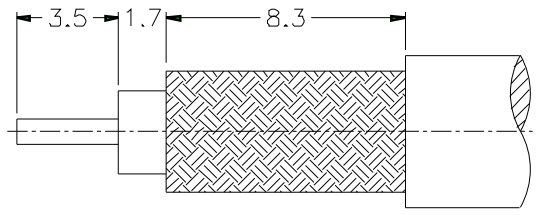
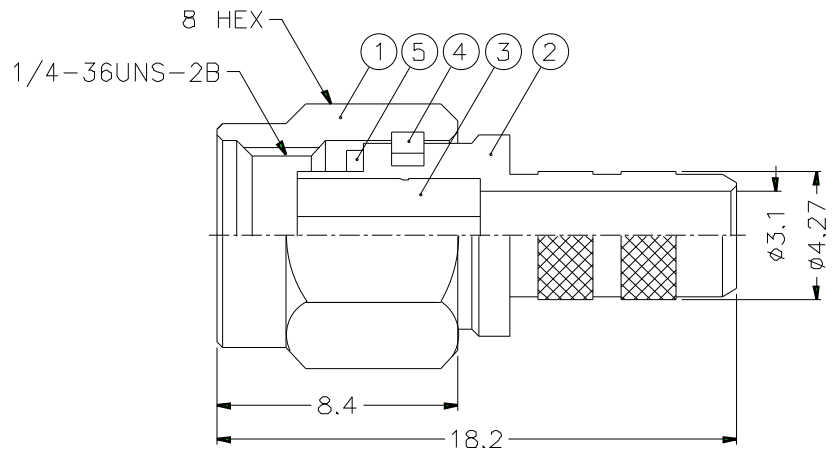
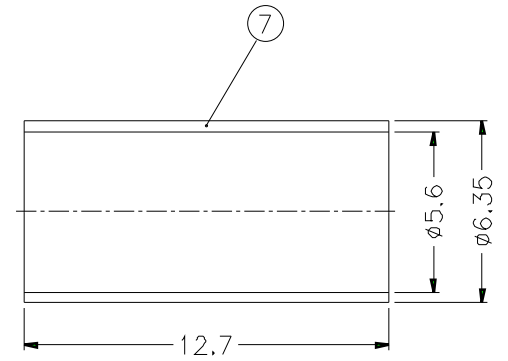
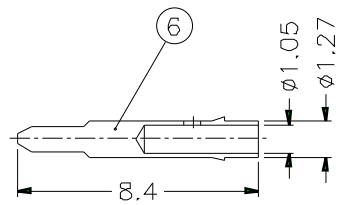


1 2 3 4 5 6 7 8

| REVISIONS |      |                              |
|-----------|------|------------------------------|
| ISS       | ZONE | DESCRIPTION\PER REQUEST\DATE |
|           |      |                              |



RECOMMENDED  
CABLE STRIPPING DIM'S



- NOTES: FINISH (PLATING THICKNESS IN MICRO-INCHES)
- BRASS PER QQ-B-626
  - GOLD PL. 3 MIN. THICK OVER NICKEL PL. 100 MIN. THICK OVER COPPER STRIKE
  - BERYLLIUM COPPER PER QQ-C-530
  - GOLD PL. 50 MIN. THICK OVER NICKEL PL. 100 MIN. THICK OVER COPPER STRIKE
  - TEFLON MIL-P-19468
  - JIS H 3250, C 2700

- CRIMPED FERRULE  
HEX CRIMP SIZE .213"
- CONTACT PIN TO SOLDER

| NO. | DESCRIPTION   | MATERIAL | FINISH  | Q'TY | DRAWING NO.       |
|-----|---------------|----------|---------|------|-------------------|
| 7   | FERRULE       | NOTE 6   | NOTE 2  | 1    | FR-635/56X127     |
| 6   | CONTACT PIN   | NOTE 1   | NOTE 4  | 1    | SMA5000-6-127/105 |
| 5   | GASKET        | SILICONE | RED     | 1    | GS-6/43X06        |
| 4   | RETAINER RING | NOTE 3   | NATURAL | 1    | SMA5000-4-B       |
| 3   | INSULATOR     | NOTE 5   | NATURAL | 1    | SMA5000-3T-50     |
| 2   | BODY          | NOTE 1   | NOTE 2  | 1    | SMA5000-2-427/31  |
| 1   | SHELL         | NOTE 1   | NOTE 2  | 1    | SMA5000-1-C       |

DIMENSIONS ARE IN MILLIMETERS  
UNLESS OTHERWISE SPECIFIED  
TOLERANCES  
0.5-6 = ±0.2  
6-30 = ±0.4  
30-120 = ±0.6  
120-315 = ±1  
315-1000 = ±1.6  
1000-2000 = ±2.4

|          |                        |           |
|----------|------------------------|-----------|
| PART NO. | SMA1111A1-3GT50G-1A-50 |           |
| APPROVED | DATE                   | 10-11-01' |
| CHECKED  | DATE                   | 10-11-01' |
| DRAWN    | DATE                   | 10-11-01' |
| FILE NO. | DRAWING NO.            |           |

**Amphenol**

TITLE  
SMA CRIMP PLUG

DRAWING NO.  
KJ-SMA1111A1-3GT50G-223U-50

ITEM NO.

1 2 3 4 5 6 7 8

F

F

E

E

D

D

C

C

B

B

A

A