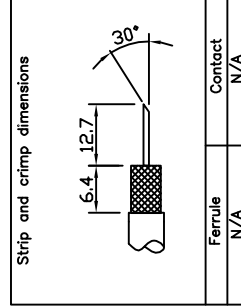
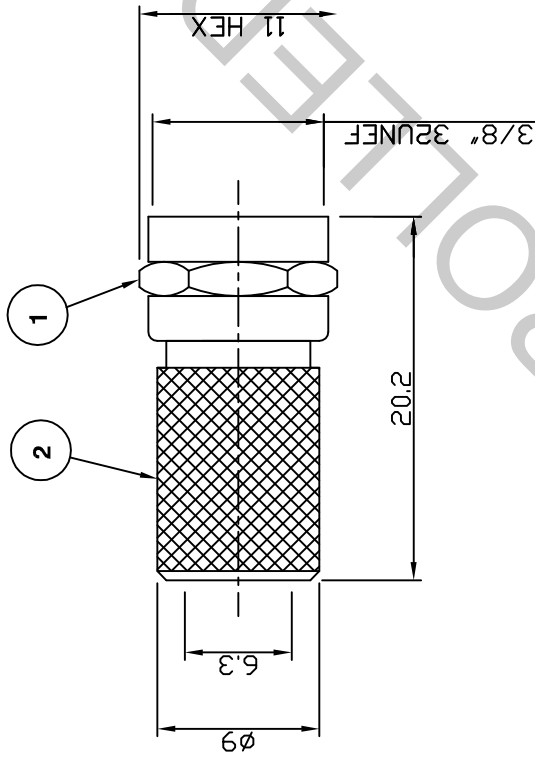
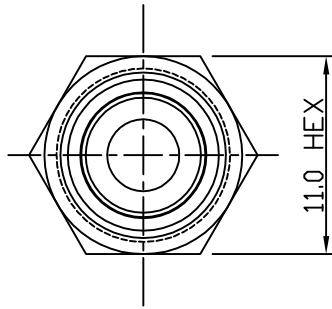


RoHS COMPLIANT



Electrical Characteristics

Nominal Impedance: Non Constant
 Frequency Range: DC to 2 GHz
 VSWR: 1.35:1 maximum
 Insertion Loss: 0.2 dB at 2 GHz
 Operating Voltage (rms): 250 V maximum at sea level
 Dielectric Withstand Voltage (rms): 1500 V maximum at sea level
 Contact Resistance: 3.0 milliohms maximum
 Insulation Resistance: 5000 megohms minimum

Mechanical Characteristics

Mating Cycles: 50 cycles (subject to cable)
 Interface Dimensions: Conform to MIL-C-39012

Environmental Characteristics

Temperature Range: -65 °C to +165 °C

PART	DESCRIPTION
1	Coupling Nut Zinc, nickel plated 2.54µm
2	Body Brass, nickel plated 2.54µm

Measurement update	KA	3	21 Aug 07
CAD Issue	SN	2	14 Nov 01
First Issue	AT	1	03 Dec 98
DESCRIPTION OF REVISION	APPVD	ISS	DATE

For stripping and assembly instructions see Drawing Number: VAIF1301

SCALE: Not To Scale DIMENSIONS: mm TOLERANCES: ± 0.2mm unless otherwise stated		DRAWN BY: S Nash	TITLE: Twist-on F Plug For RG6/CT100 Cable Types	PART NUMBER: TOF56
CHECKED BY: M Nielsen		APPROVED BY: P Couzens	DATE: 14 Nov 01	
Cinch Connectivity Solutions 7-13 Russel Way, Widford Industrial Estate, Chelmsford, Essex, CM1 3AA, UK. Tel: +44 (0) 1245 359515 Fax: +44 (0) 1245 359938				
cinch CONNECTIVITY SOLUTIONS a bel group				
COPYRIGHT © 2001 VITELEC ELECTRONICS LIMITED				

THIS DRAWING MAY NOT BE REPRODUCED IN WHOLE OR IN PART WITHOUT OUR WRITTEN PERMISSION