

Electrical Characteristics

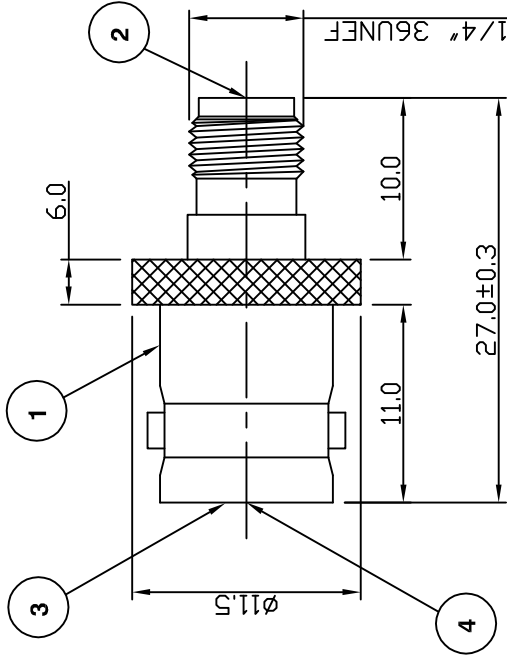
Nominal Impedance: 50 ohms
 Frequency Range: DC to 4 GHz
 VSWR: 1.3:1 maximum
 Insertion Loss: 0.2 dB at 3 GHz
 Operating Voltage (rms): 500 V maximum at sea level
 Dielectric Withstand Voltage (rms): 1500 V maximum at sea level
 Contact Resistance: 3.0 milliohms maximum
 Insulation Resistance: 5000 megohms minimum

Mechanical Characteristics

Mating Cycles: 500 cycles minimum
 Interface Dimensions: Conform to MIL-C-39012

Environmental Characteristics

Temperature Range: -65 °C to +165 °C



PART	DESCRIPTION
1	Body Brass, nickel plated
2	Dielectric PTFE
3	Dielectric PTFE
4	Contacts Brass, gold plated

Updated dimensions	AT	3	22 Apr 05
CAD Issue	SN	2	09 Aug 02
First Issue	AT	1	04 Apr 97
DESCRIPTION OF REVISION	APPVD	ISS	DATE

PART NUMBER:

VA516

TITLE:

BNC Jack to SMA Jack

DRAWN BY: S Nash

CHECKED BY: A Tusi

APPROVED BY: A Herbert

DATE: 09 Aug 02

SCALE: Not To Scale

DIMENSIONS: mm

TOLERANCES:
 ± 0.2mm unless
 otherwise stated

Connectivity Solutions
 7-13 Russel Way,
 Widford Industrial Estate,
 Chelmsford, Essex,
 CM1 3AA, UK.
 Tel: +44 (0) 1245 359515
 Fax: +44 (0) 1245 358938

