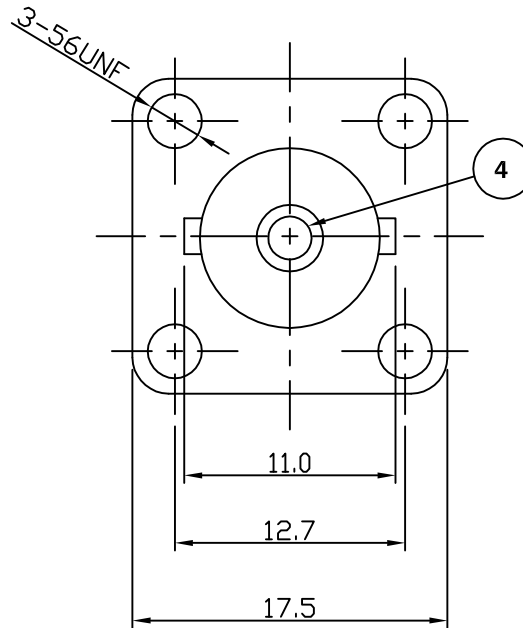
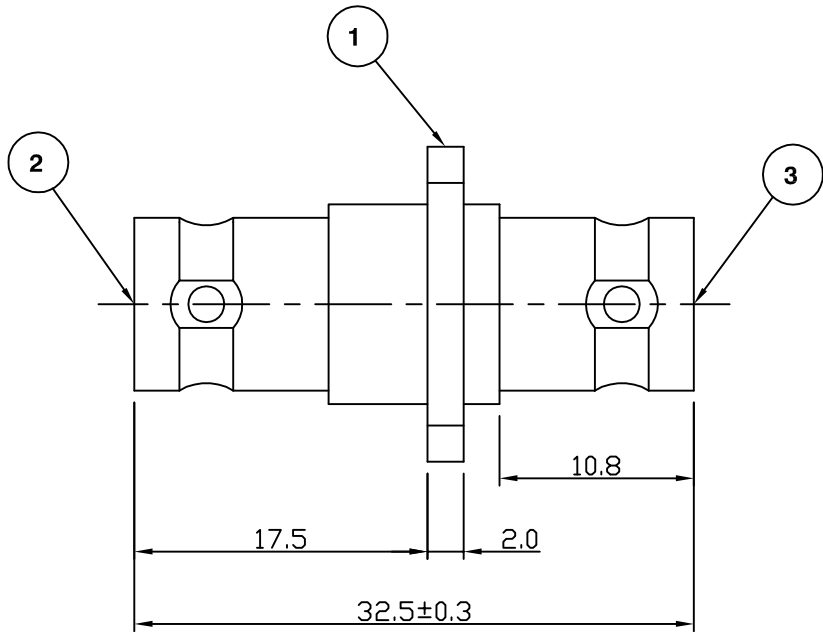


RoHS COMPLIANT



Electrical Characteristics

Nominal Impedance:	50 ohms
Frequency Range:	DC to 4 GHz
VSWR:	1.3:1 maximum
Insertion Loss:	0.2 dB at 4 GHz
Operating Voltage (rms):	500 V maximum at sea level
Dielectric Withstand Voltage (rms):	1500 V maximum at sea level
Contact Resistance:	3.0 milliohms maximum
Insulation Resistance:	5000 megohms minimum

Mechanical Characteristics

Mating Cycles:	500 cycles minimum
Interface Dimensions:	Conform to MIL-C-39012

Environmental Characteristics

Temperature Range:	-65 °C to +165 °C
--------------------	-------------------

	PART	DESCRIPTION
1	Body	Brass, nickel plated
2	Dielectric	PTFE
3	Dielectric	PTFE
4	Contact	Brass, gold plated

CAD Issue	SN	2	16 April 02
First Issue	PDC	1	13 Feb 01
DESCRIPTION OF REVISION	APPVD	ISS	DATE



Cinch Connectivity Solutions
 7-13 Russell Way,
 Widford Industrial Estate,
 Chelmsford, Essex,
 CM1 3AA, UK.
 Tel: +44 (0) 1245 359515
 Fax: +44 (0) 1245 358938

SCALE: Not To Scale

DIMENSIONS: mm

TOLERANCES:
 ± 0.2mm unless
 otherwise stated

DRAWN BY:	S Nash
CHECKED BY:	S Nash
APPROVED BY:	G Dalton
DATE:	16 April 02

TITLE:
**BNC Flange Mount Jack to
 Jack Adaptor**

PART NUMBER:
VBA100-2

PAGE: 1 of 1