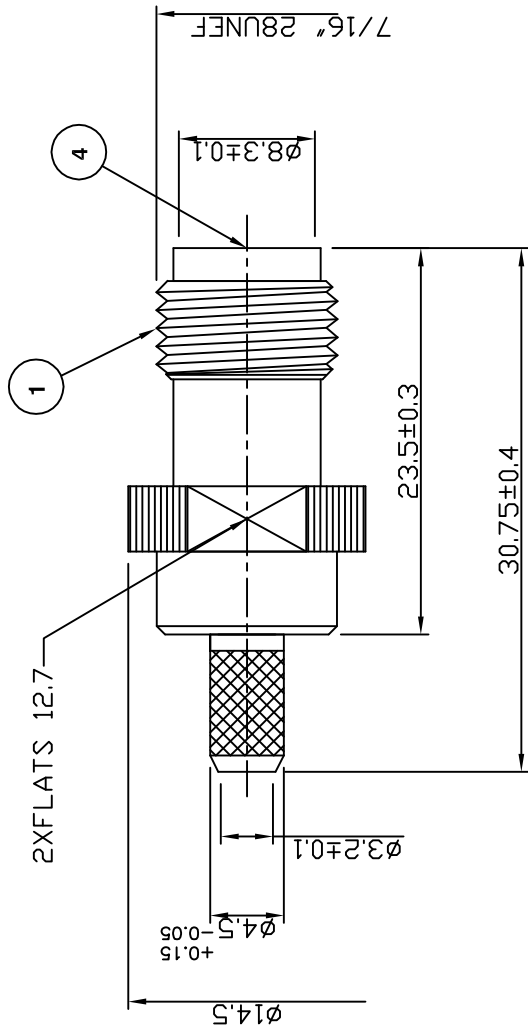


RoHS COMPLIANT



Electrical Characteristics

Nominal Impedance: 50 ohms
 Frequency Range: DC to 11 GHz
 VSWR: 1.35:1 maximum
 Insertion Loss: 0.2 dB at 3 GHz
 Operating Voltage (rms): 500 V maximum at sea level
 Dielectric Withstand Voltage (rms): 1500 V maximum at sea level
 Contact Resistance: 1.5 milliohms maximum
 Insulation Resistance: 5000 megohms minimum

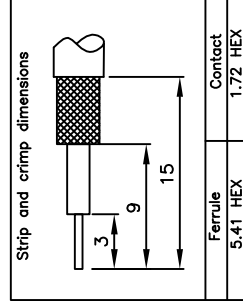
Mechanical Characteristics

Mating Cycles: 500 cycles minimum
 Interface Dimensions: Conform to MIL-C-39012

Environmental Characteristics

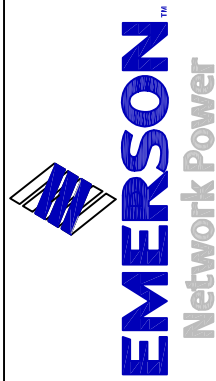
Temperature Range: -55 °C to +85 °C

PART	DESCRIPTION
1	Body Brass, nickel plated
2	Ferrule Brass, nickel plated
3	Contact Brass, gold plated
4	Dielectric POM



CAD Issue	SN	2	29 Jan 02
First Issue	DW	1	10 Mar 00
DESCRIPTION OF REVISION		APPVD	ISS
			DATE

For stripping and assembly instructions see Drawing Number: VAIT3101



Connectivity Solutions
 7-13 Russel Way,
 Widford Industrial Estate,
 Chelmsford,
 Essex, CM1 3AA, UK
 Tel: +44 (0) 1245 359515
 Fax: +44 (0) 1245 358938

SCALE: Not To Scale	DRAWN BY: S Nash
DIMENSIONS: mm	CHECKED BY: P Couzens
TOLERANCES: ± 0.2mm unless otherwise stated	APPROVED BY: P Couzens
	DATE: 29 Jan 02

PART NUMBER:	
VT30-2051	
TITLE: TNC Crimp Jack for RG58	
PAGE: 1 of 1	