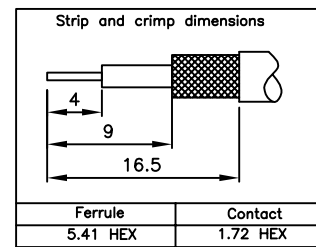
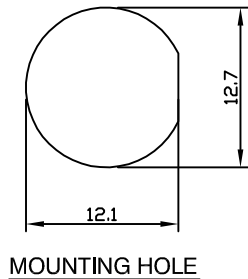
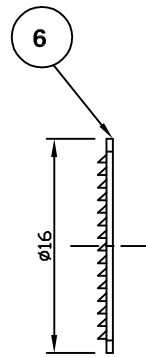
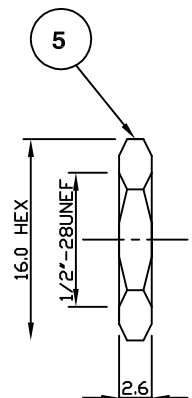
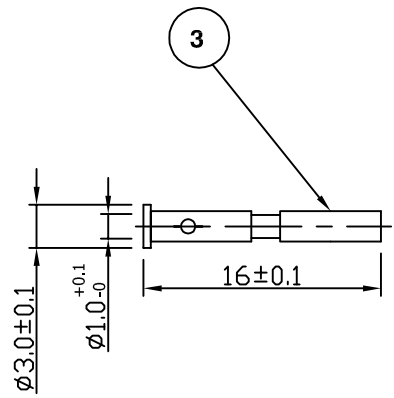
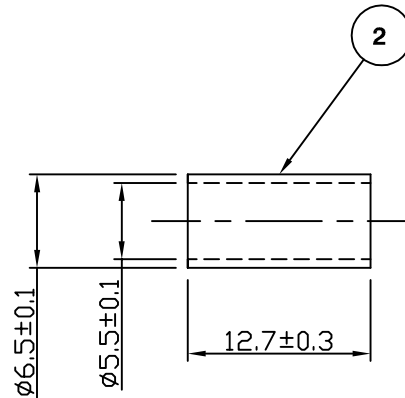
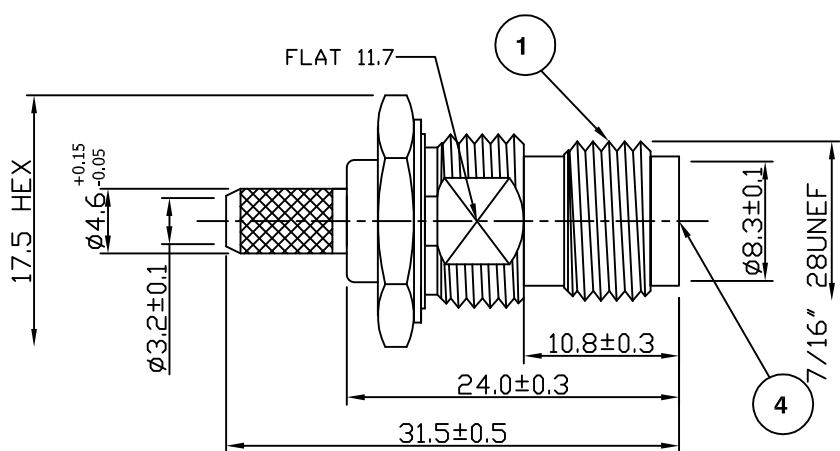


RoHS COMPLIANT



Electrical Characteristics

Nominal Impedance:	50 ohms
Frequency Range:	DC to 4 GHz
VSWR:	1.3:1 maximum
Insertion Loss:	0.2 dB at 3 GHz
Operating Voltage (rms):	500 V maximum at sea level
Dielectric Withstand Voltage (rms):	1500 V maximum at sea level
Contact Resistance:	1.5 milliohms maximum
Insulation Resistance:	5000 megohms minimum

Mechanical Characteristics

Mating Cycles:	500 cycles minimum
Interface Dimensions:	Conform to MIL-C-39012

Environmental Characteristics

Temperature Range:	-65 °C to +165 °C
--------------------	-------------------

PART	DESCRIPTION
1	Body Brass, nickel plated 2.54 μm
2	Ferrule Brass, nickel plated 2.54 μm
3	Contact Brass, gold plated 0.076 μm - 0.127 μm
4	Dielectric PTFE
5	Nut Brass, nickel plated 2.54 μm
6	Washer Brass, nickel plated 2.54 μm

DESCRIPTION OF REVISION	APPVD	ISS	DATE
Dimensions changed	MS	3	28 May 08
CAD Issue	SN	2	10 Jan 02
First Issue	DJH	1	13 May 98

For stripping and assembly instructions see Drawing Number: VAIT4101



Cinch Connectivity Solutions
7-13 Russel Way,
Widford Industrial Estate,
Chelmsford,
Essex, CM1 3AA, UK
Tel: +44 (0) 1245 359515
Fax: +44 (0) 1245 358938

SCALE: Not To Scale	DRAWN BY: S Nash	TITLE: TNC Crimp Bulkhead Jack for RG58	PART NUMBER: VT40-2051
DIMENSIONS: mm	CHECKED BY: S Nash		
TOLERANCES: ± 0.2mm unless otherwise stated	APPROVED BY: M Nielsen		
	DATE: 10 Jan 02		

PAGE: 1 of 1