

Receptacle 78 contacts

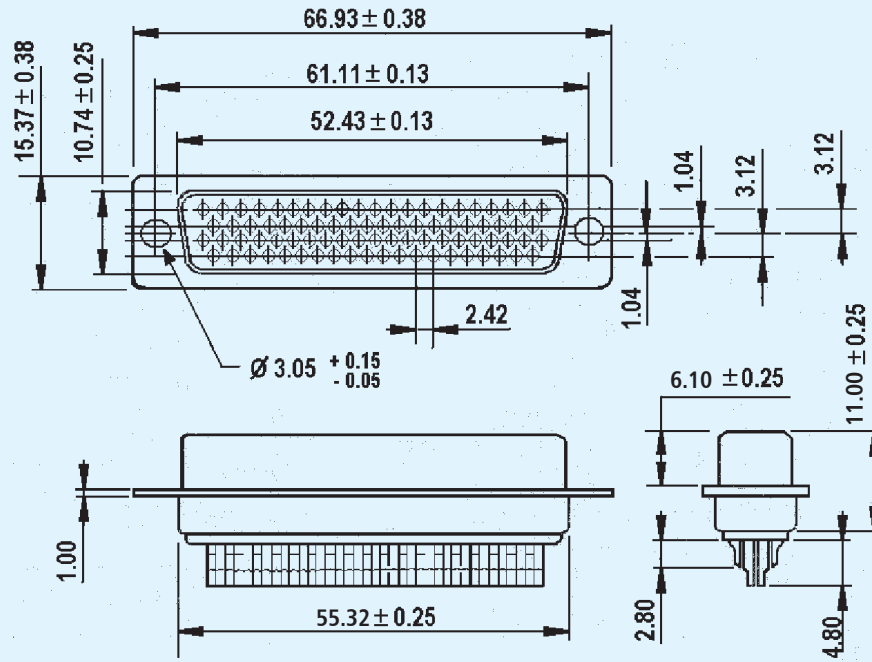


Designation

Shell size / Arrangement	Through hole	Rivnut thread 4-40	Screwlock thread 4-40
D / 78	ZDDA78S	ZDDAE78S	ZDDAE78S-AB

Note: Class 2 - Add suffix A191

Example: ZDDA78S-A191



- Mounting options see page 44
- Panel cutouts see page 45
- Accessories see page 35, 36, 37, 38